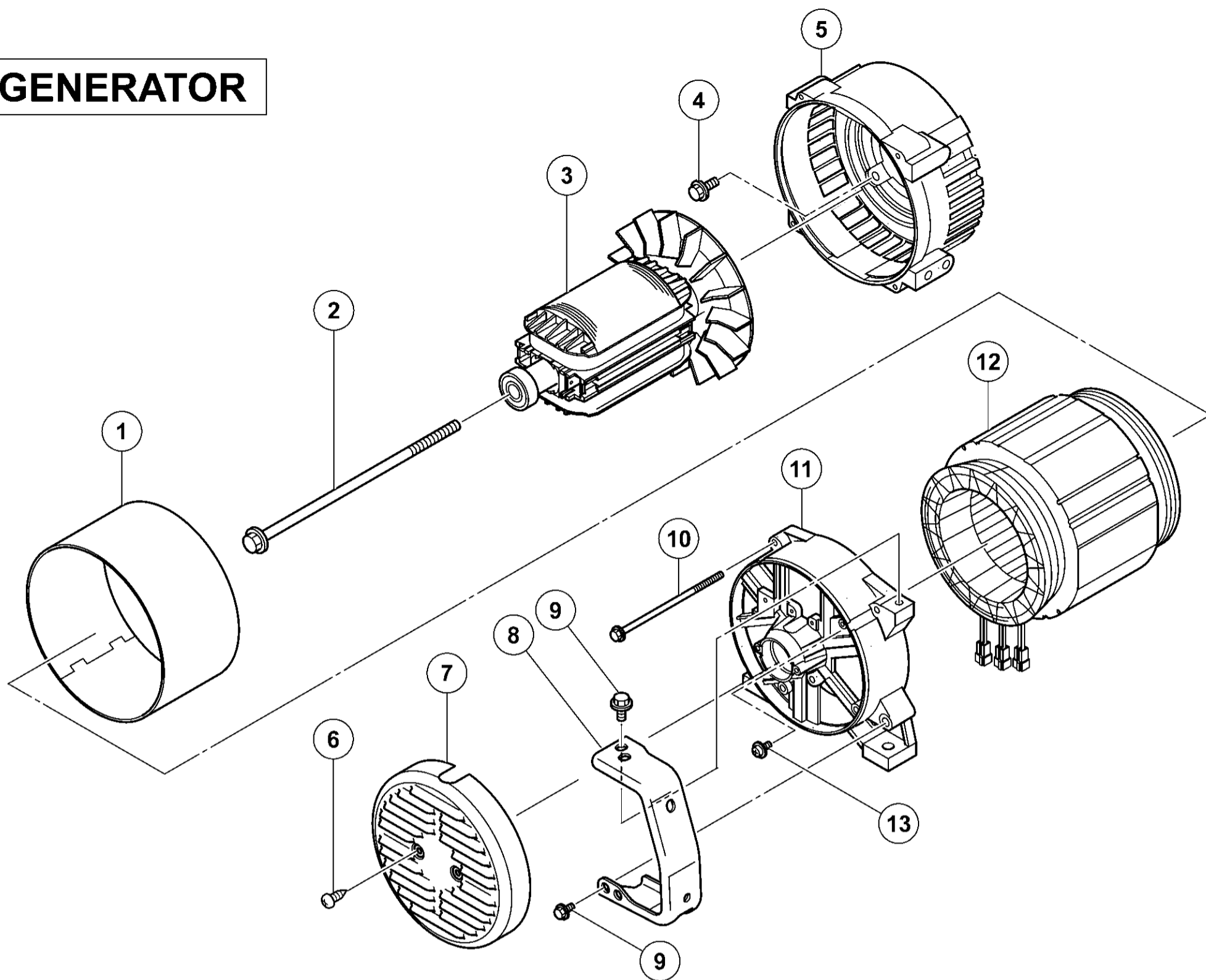
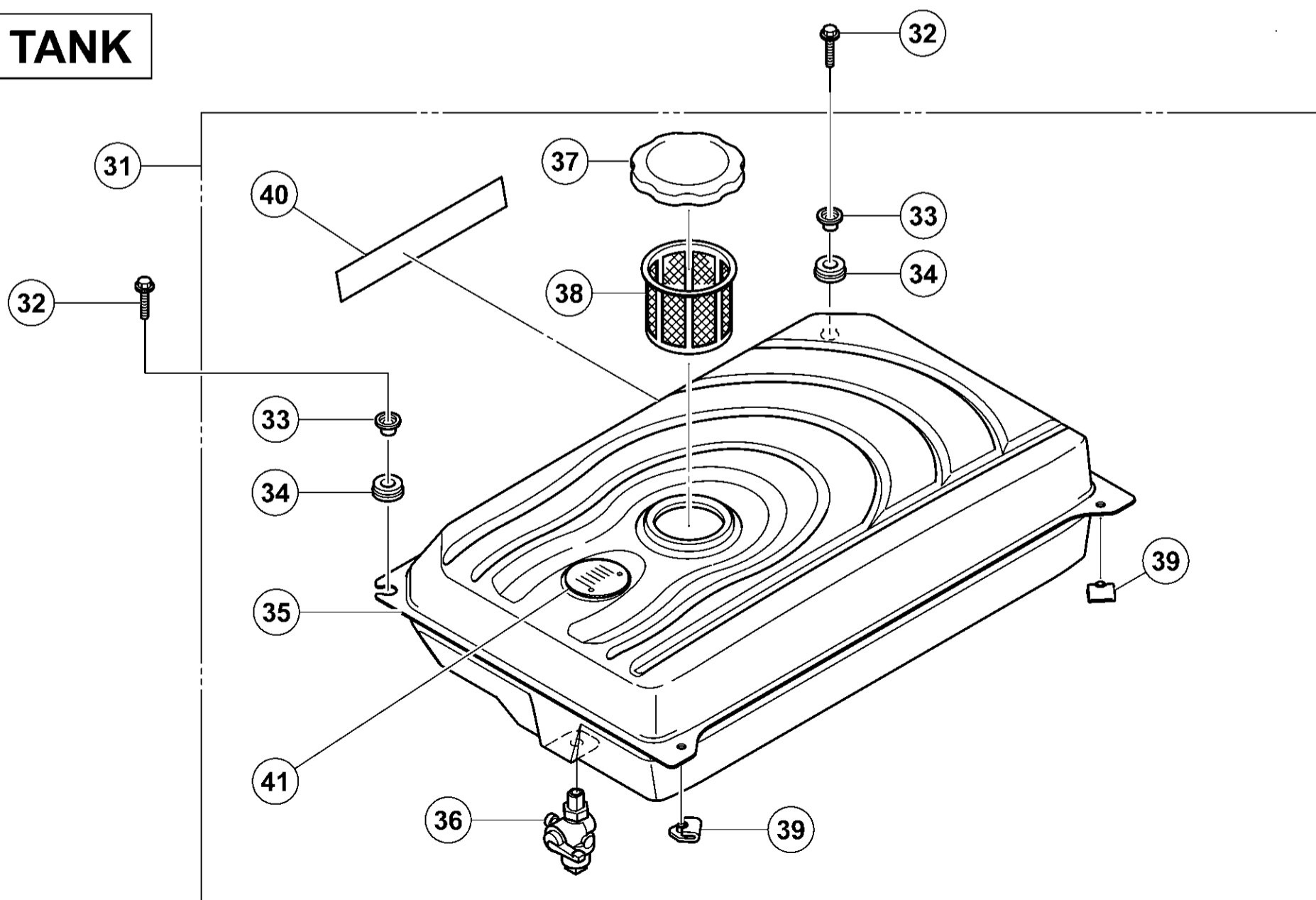


GENERATOR

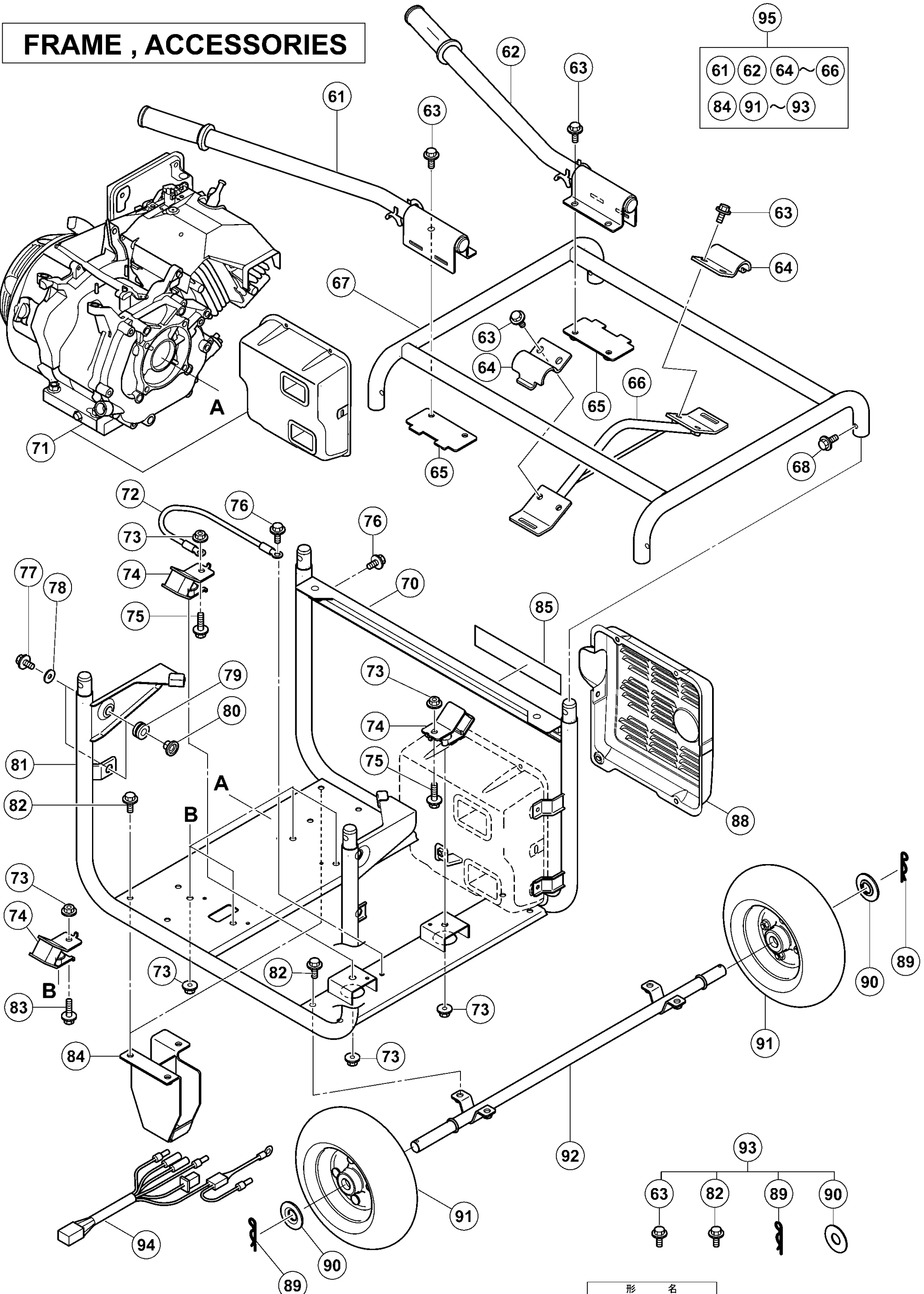


TANK



形名
E71(1/3)

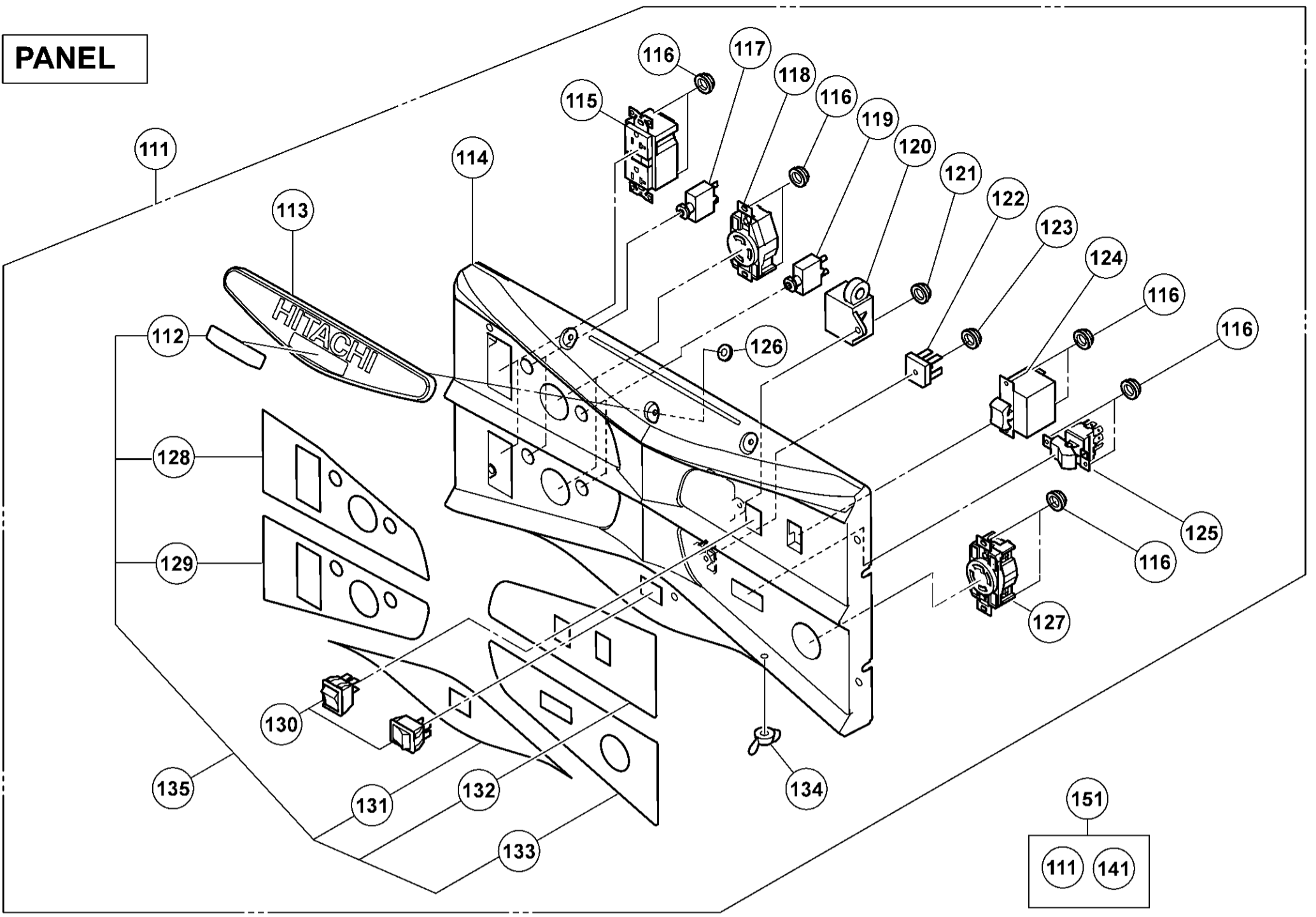
FRAME , ACCESSORIES



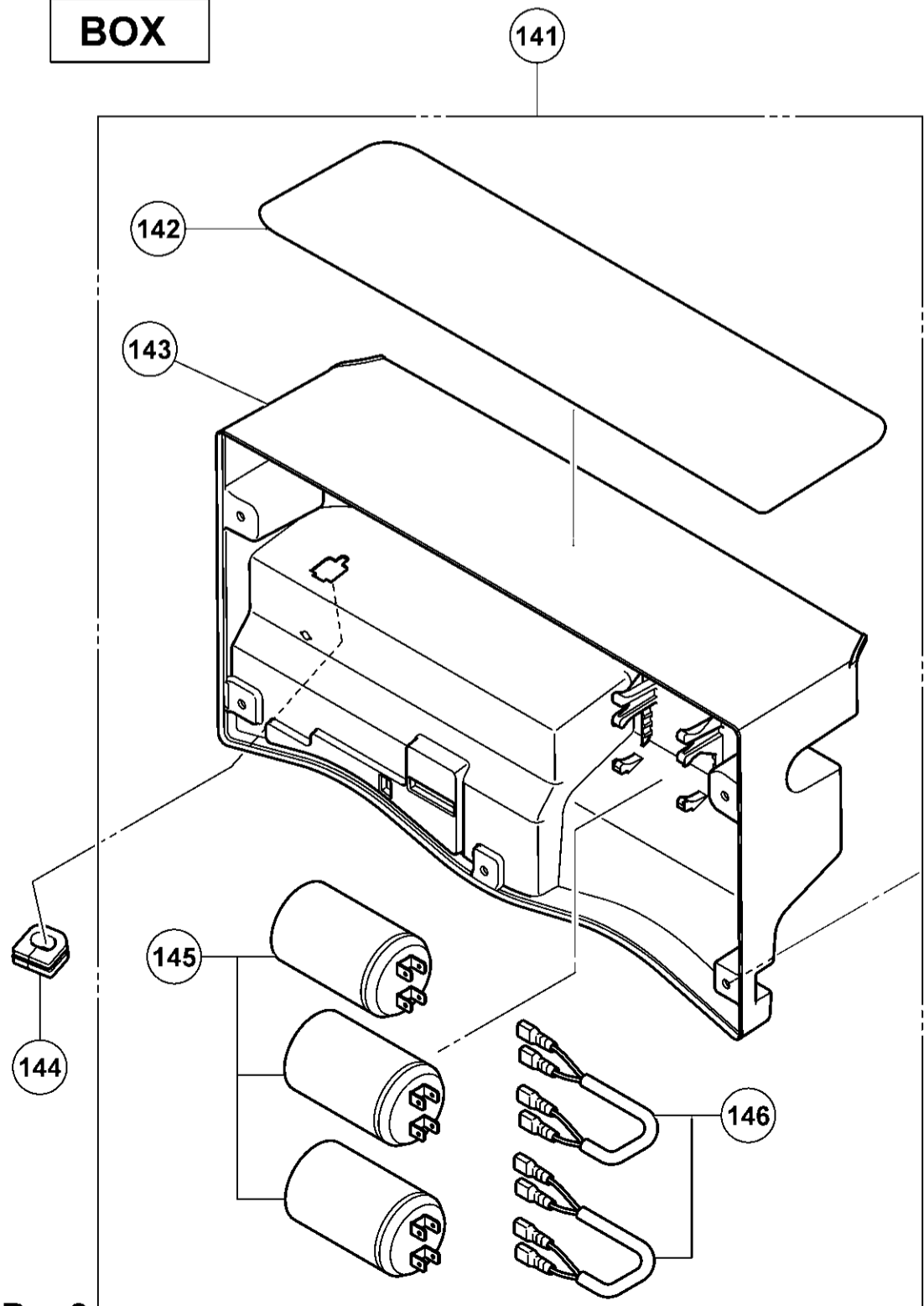
Rev.1

形名
E71(2/3)

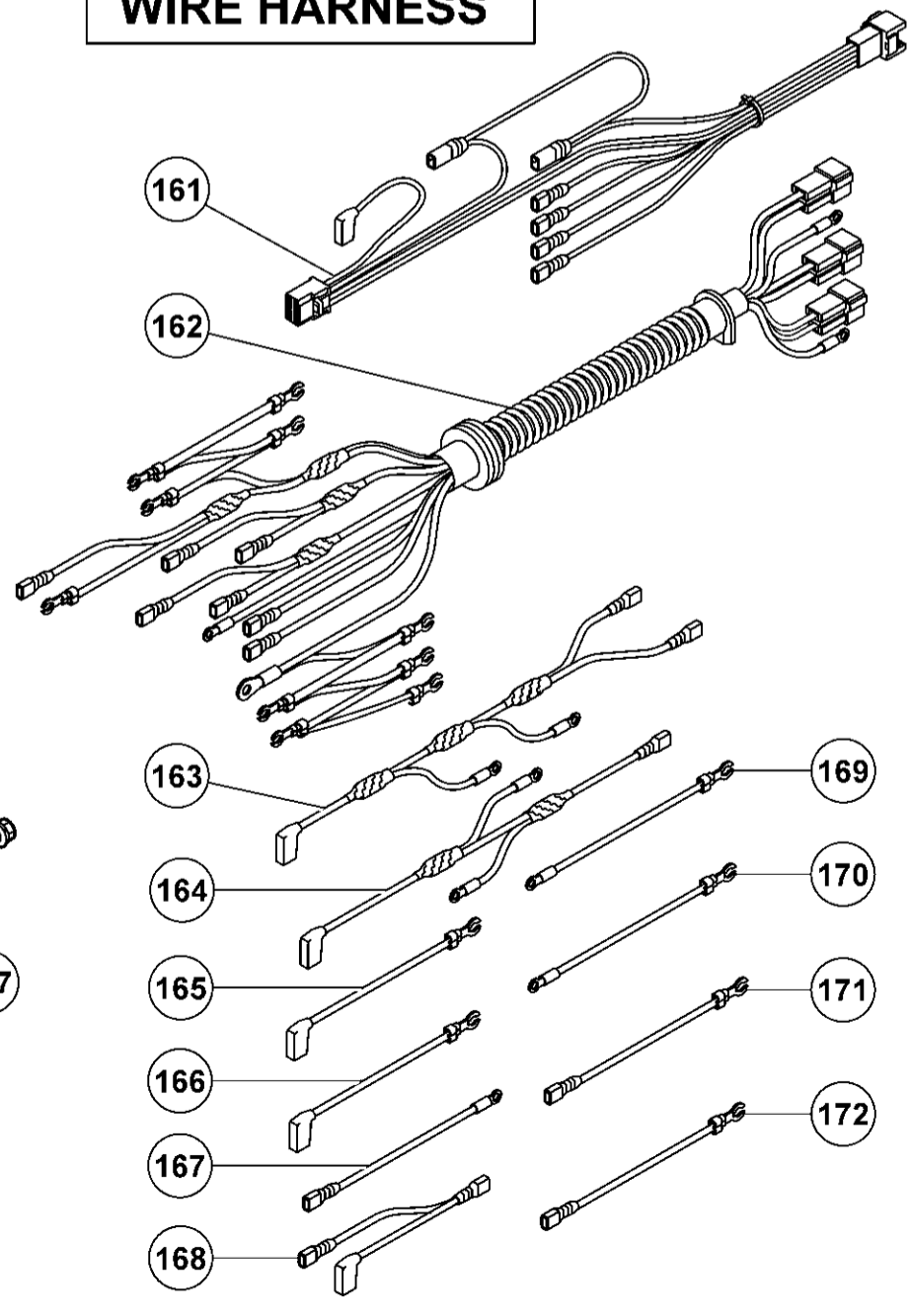
PANEL



BOX



WIRE HARNESS



形名
E71(3/3)