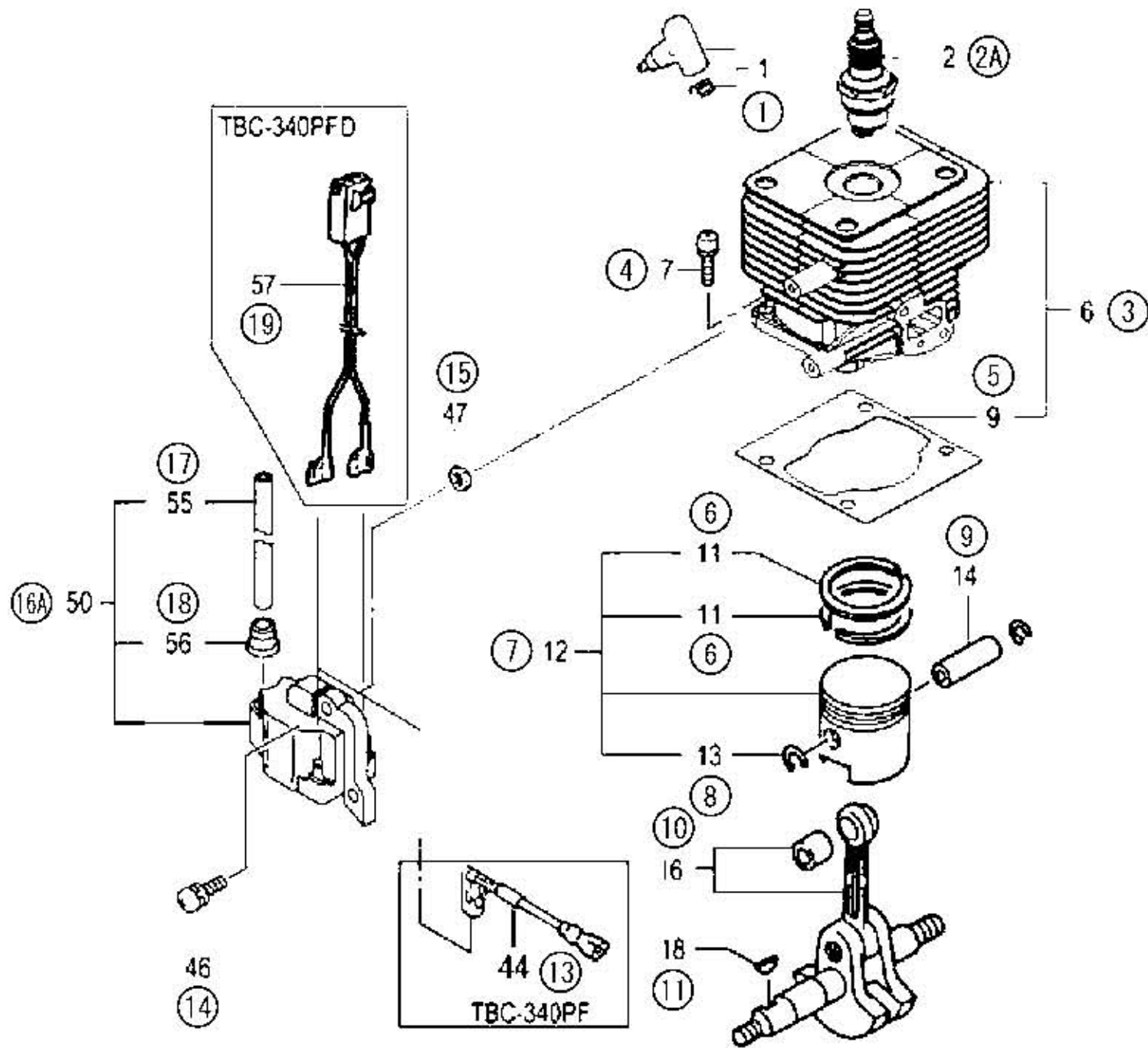
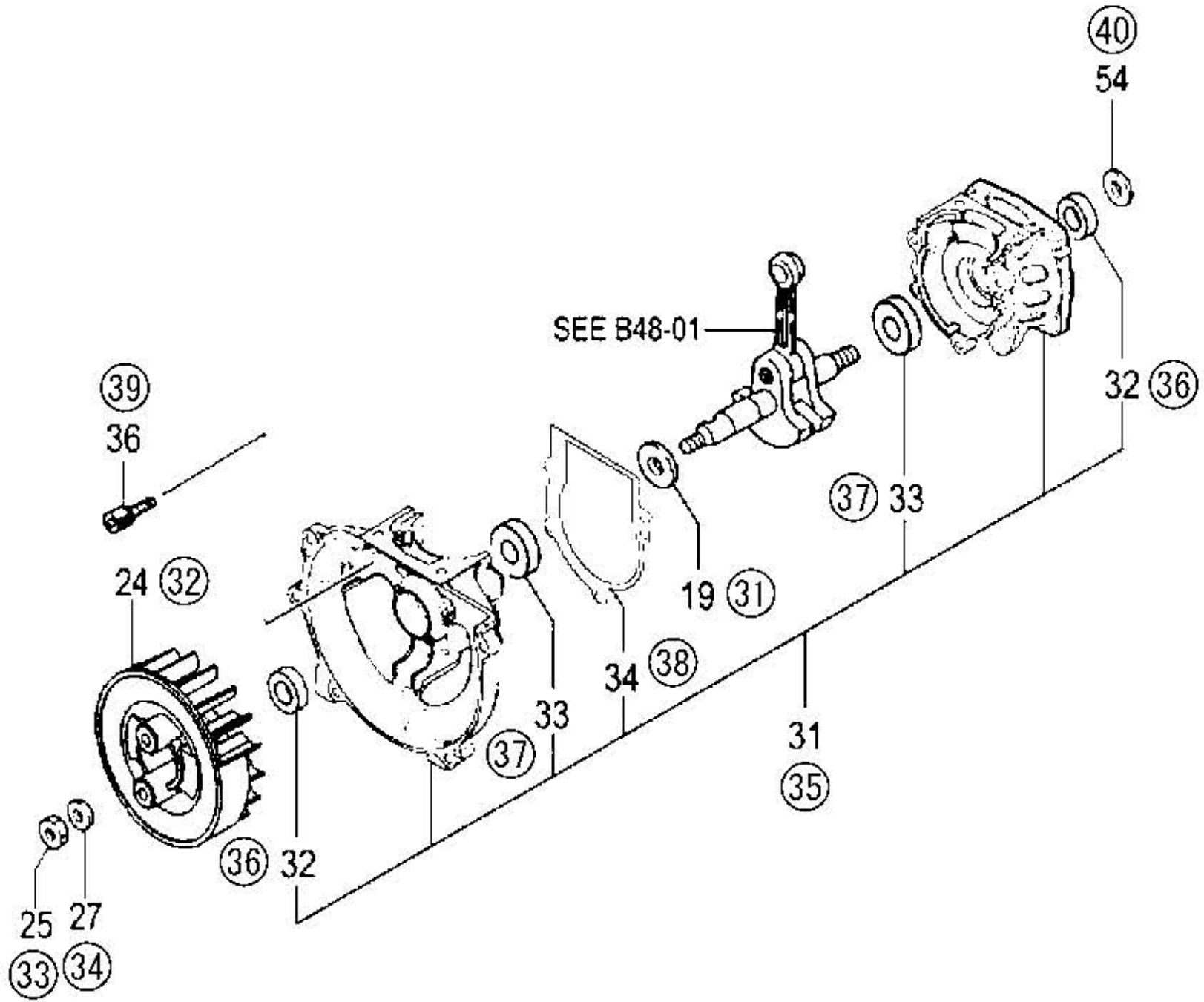


B48-01 CYLINDER/PISTON/CRANK SHAFT



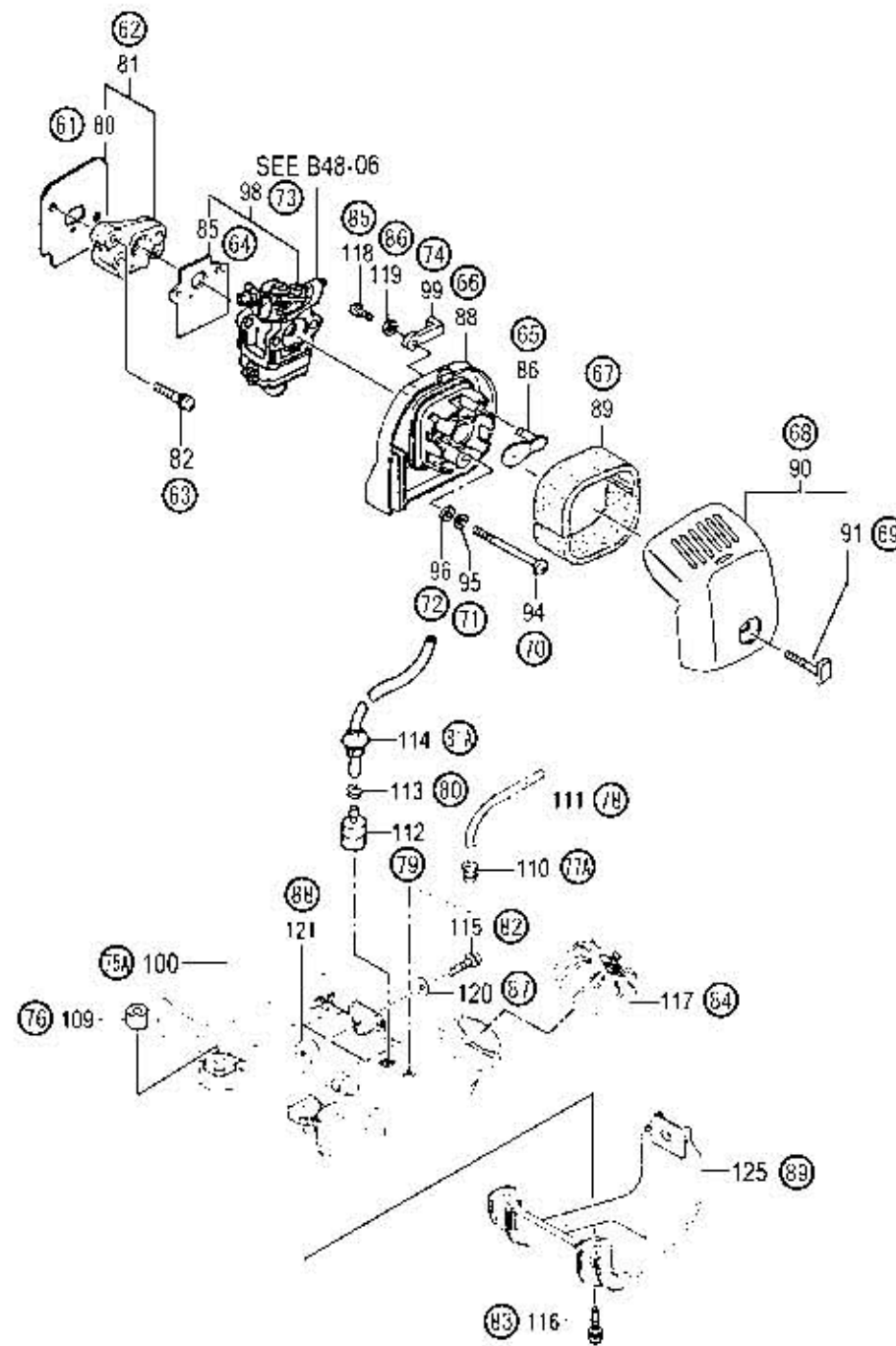
HITACHI NUMBER	REF. NUMBER	PARTS NUMBER	DESCRIPTION	Q'TY	TANAKA PARTS NUMBER
B48-01 CYLINDER/PISTON/CRANK SHAFT					
1	1	668-7468	SPARK PLUG CAP ASS'Y	1	157-01570-90
2	2	668-5772	SPARK PLUG CJ6Y	1	018-04064-20
3	6	668-5491	CYLINDER SET	1	001-07250-90
4	7	668-4903	HEX.HOLE BOLT M5X16/S	4	994-61050-164
5	9	668-5749	CYLINDER GASKET	1	017-07250-20
6	11	668-5331	PISTON RING	2	041-56400-20
7	12	668-5898	PISTON SET	1	030-07030-91
8	13	668-5078	CIRCLIP	2	039-00000-20
9	14	668-6008	PISTON PIN	1	037-01400-20
10	16	669-6499	CRANK SHAFT COMP	1	046-07221-80
11	18	668-4899	WOODRUFF KEY 3X13X4.5	1	068-10100-20
12	43	668-7663	IGNITION COIL COMP	1	167-20549-80
13	44	668-7874	STOP CORD B160M	2	178-0703B-80
14	46	668-4599	HEX.HOLE BOLT M4X18/WS	2	994-64040-184
15	47	668-4600	WASHER	2	182-0186A-20
16	50	668-7666	IGNITION COIL ASS'Y	1	167-20553-91
17	55	668-7889	HIGH TENSION CORD 180L	1	178-20553-20
18	56	668-4602	RUBBER CAP	1	560-20517-20
19	57	668-7972	REED WIRE ASS'Y	1	191-07025-90

B48-02 CRANK CASE



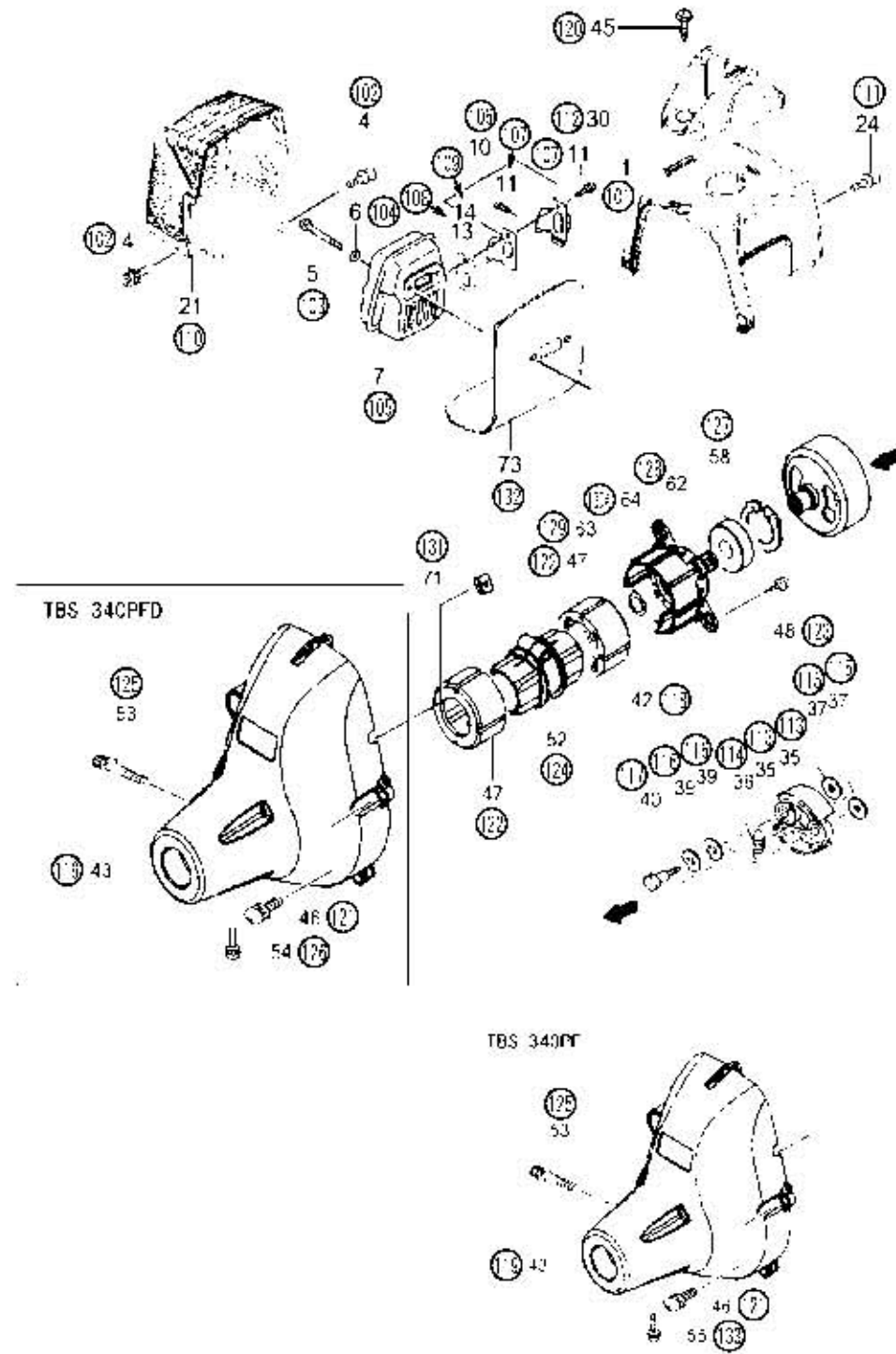
HITACHI NUMBER	REF. NUMBER	PARTS NUMBER	DESCRIPTION	Q'TY	TANAKA PARTS NUMBER
B48-02 CRANK CASE					
31	19	668-9177	GEAR SHAFT SHIM 0.10	V	330-00200-21
31	19	668-9178	GEAR SHAFT SHIM 0.15	V	330-00200-22
31	19	668-4604	GEAR SHAFT SHIM 0.20	V	330-00200-23
31	19	668-4605	GEAR SHAFT SHIM 0.30	V	330-00200-24
32	24	668-7375	MAGNETO ROTOR COMP.	1	155-20549-80
33	25	668-4612	HEX.NUT M8	1	991-01080-011
34	27	669-5184	SMALL WASHER 8	1	992-00080-011
35	31	668-6586	CRANK CASE ASSY	1	072-07250-90
36	32	668-4607	OIL SEAL TB 12227	2	999-66122-200
37	33	669-5535	BALL BEARING 6001 C3	2	999-61600-115
38	34	668-6723	CRANK CASE GASKET	1	090-07250-20
39	36	668-4903	HEX.HOLE BOLT M5X16/S	3	994-61050-164
40	54	668-4611	WASHER M8	1	992-01080-011

B48-03 ENGINE-1



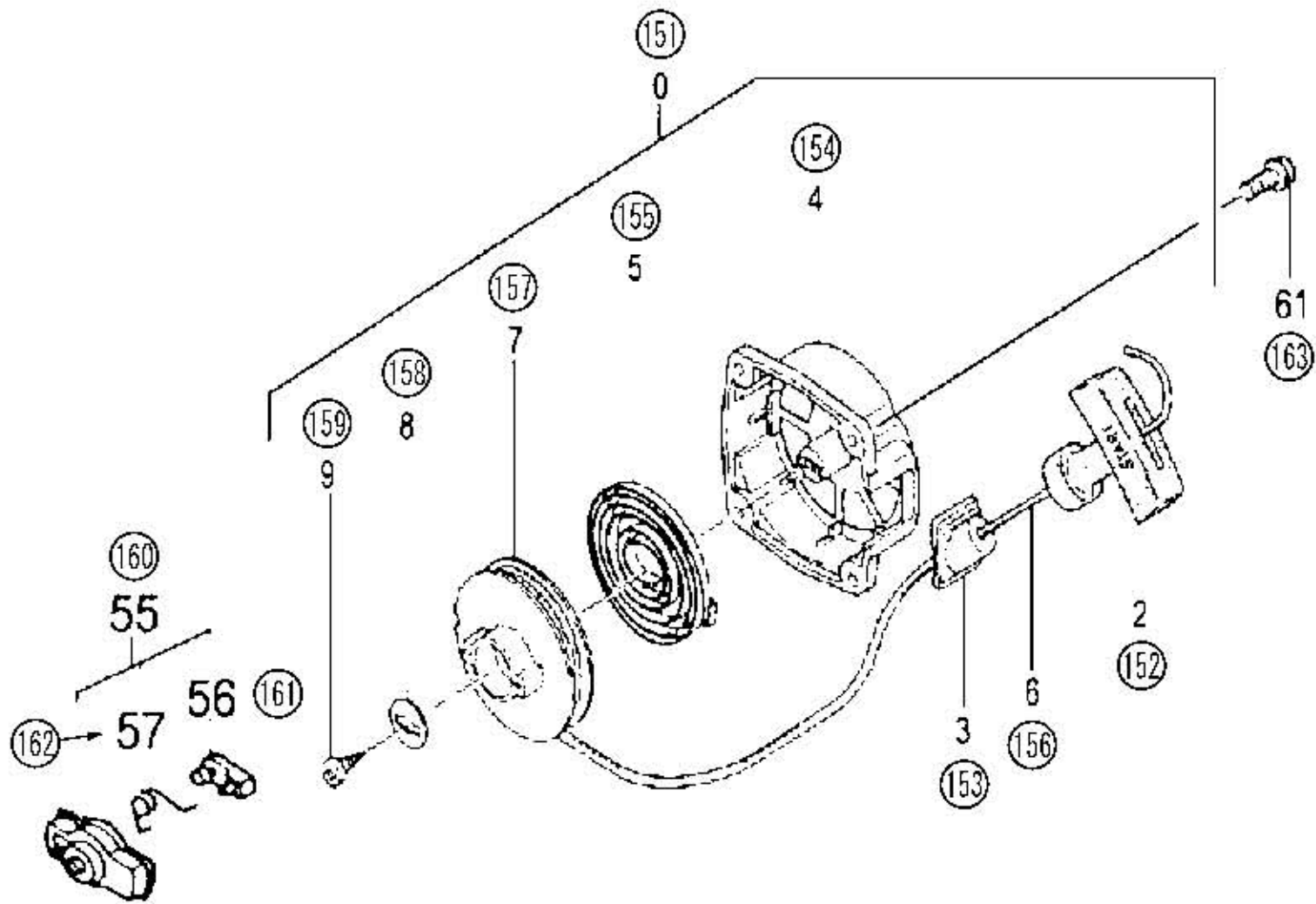
HITACHI NUMBER	REF. NUMBER	PARTS NUMBER	DESCRIPTION	Q'TY	TANAKA PARTS NUMBER
B48-03 ENGINE-1					
61	80	668-9895	INLET MANIFOLD GASKET	1	403-07020-21
62	81	668-9972	INSULATOR SET	1	404-07020-91
63	82	669-5515	HEX. HOLE BOLT 5X25WS	2	994-64050-254
64	85	668-4616	CARBURETOR GASKET	1	402-0656A-20
65	86	669-1276	CHOKE PLATE 2.0	1	528-0652N-22
66	88	669-0120	CLEANER BODY COMP.	1	423-0652N-80
67	89	669-0365	CLEANER SPONGE	1	446-0652N-20
68	90	669-0402	CLEANER COVER ASS'Y	1	452-03046-90
69	91	669-0384	COVER FIXING BOLT	1	450-07024-80
70	94	669-5056	HEX. HOLE BOLT 5X55	2	990-51050-553
71	95	668-4662	S.WASHER 5	2	992-10050-012
72	96	668-4864	SMALL WASHER 5	2	992-00050-011
73	98	669-0465	CARBURETOR SET WYJ318	1	455-03045-90
74	99	669-1239	CHOKE CONTROL LEVER	1	523-0652N-20
75	100	669-1597	TANK WHT	1	591-07250-21
75	100	669-1600	TANK(EVAPO)	1	591-0725F-21
76	109	668-4623	COLLAR C	3	659-04300-20
77	110	668-4627	RETURN GROMMET	1	534-32710-20
78	111	668-4880	FUEL PIPE 3X5X80	1	700-03005-08
79	112	668-4620	PUMP FILTER BODY COMP.	1	675-07046-80
80	113	668-4619	CLIP,6.3 DIA.	1	680-00731-20
81	114	668-4618	FUEL PIPE ASS'Y	1	223-0097A-90
82	115	669-5494	HEX HOLE BOLT 5X30S	1	994-61050-305
83	116	668-4634	HEX.HOLE BOLT 5X20/PS	2	994-63050-204
84	117	669-1748	TANK CAP D ASS'Y	1	595-03002-90
85	118	669-5280	TAP SCREW 4X14 P	1	993-49040-142
86	119	668-5070	BOLT WASHER M4	1	992-01040-011
87	120	668-4918	WASHER M5	1	992-01050-061
88	121	669-2183	TANK FIXING COLLAR	1	649-07250-20
89	125	669-4786	ENGINE BED	1	940-07250-20

B48-04 ENGINE-2



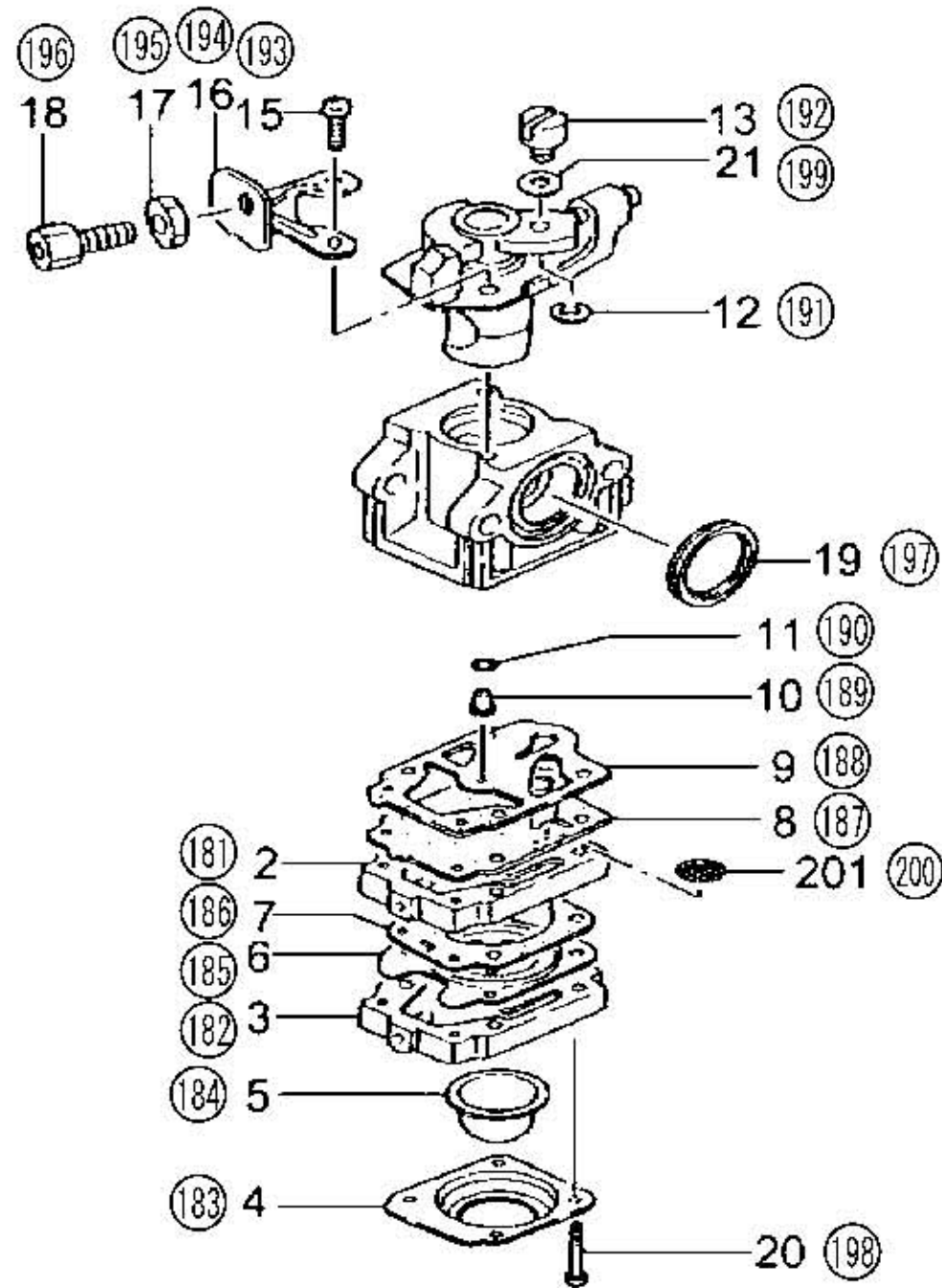
HITACHI NUMBER	REF. NUMBER	PARTS NUMBER	DESCRIPTION	Q'TY	TANAKA PARTS NUMBER
B48-04 ENGINE-2					
101	1	668-5689	CYLINDER COVER BLK	1	016-07250-21
102	4	669-5504	HEX.HOLE BOLT 5X16/PS	2	994-63050-164
103	5	669-5067	HEX.HOLE BOLT 6X65	2	990-51060-653
104	6	668-4639	WASHER 6	2	992-01060-011
105	7	669-2576	MUFFLER COMP.	1	706-07500-80
106	10	669-2715	TAIL PIPE SET	1	734-07255-90
107	11	668-4651	SCREW M4X8/WS	2	994-36040-081
108	13	669-2701	SPARK ARRESTER	1	732-07250-20
109	14	669-2888	TAIL PIPE GASKET	1	751-07250-20
110	21	669-2811	MUFFLER PROTECTOR BLK	1	738-07250-20
111	24	669-5508	HEX. HOLE BOLT 4X18WS	2	994-64040-185
112	30	668-8351	PLUG COVER	1	257-07250-20
113	35	668-8610	CLUTCH ARM COMP.	2	290-0138A-80
114	36	668-9420	CLUTCH SPRING	1	342-0138A-20
115	37	668-9645	CLUTCH WASHER B	2	359-10112-20
116	39	669-5203	WAVE WASHER 10	4	992-04100-030
117	40	668-9628	CLUTCH STEP BOLT	2	357-0136U-20
118	42	668-4664	STOP RING C-12 OUTER	1	993-50012-002
119	43	668-7019	FAN CASE COMP.	1	112-07021-81
120	45	668-5153	TAPPING SCREW D4.5X14	1	990-73045-144
121	46	668-4647	HEX.HOLE BOLT M5X18/WS	4	994-64050-184
122	47	669-1838	ANTI-VIBE RUBBER	2	599-07020-20
123	48	668-5275	TAPPING SCREW D5X14	4	990-72050-144
124	52	668-9656	PIPE HOLDER	1	360-07030-20
125	53	668-4709	HEX.HOLE BOLT M5X25/S	1	994-61050-254
126	54	668-4595	HEX.HOLE BOLT M4X12/S	1	994-61040-124
127	58	668-8598	CLUTCH SHAFT COMP. 78	1	289-07031-80
128	62	669-5304	STOP RING R-32 INNER	1	993-53032-002
129	63	668-8667	BEARING CASE	1	088-07020-20
130	64	669-5553	BALL BEARING #6201ZZ, 32MM/OD	1	999-61620-101
131	71	668-8057	PRIMARY CORD GROMMET	1	203-11660-20
132	73	668-7263	HEAT SHIELD	1	133-07250-20
133	55	668-5068	MACHINE SCREW (W/SP.WASHER) M4X12	1	994-14040-121

B48-05 RECOIL STARTER



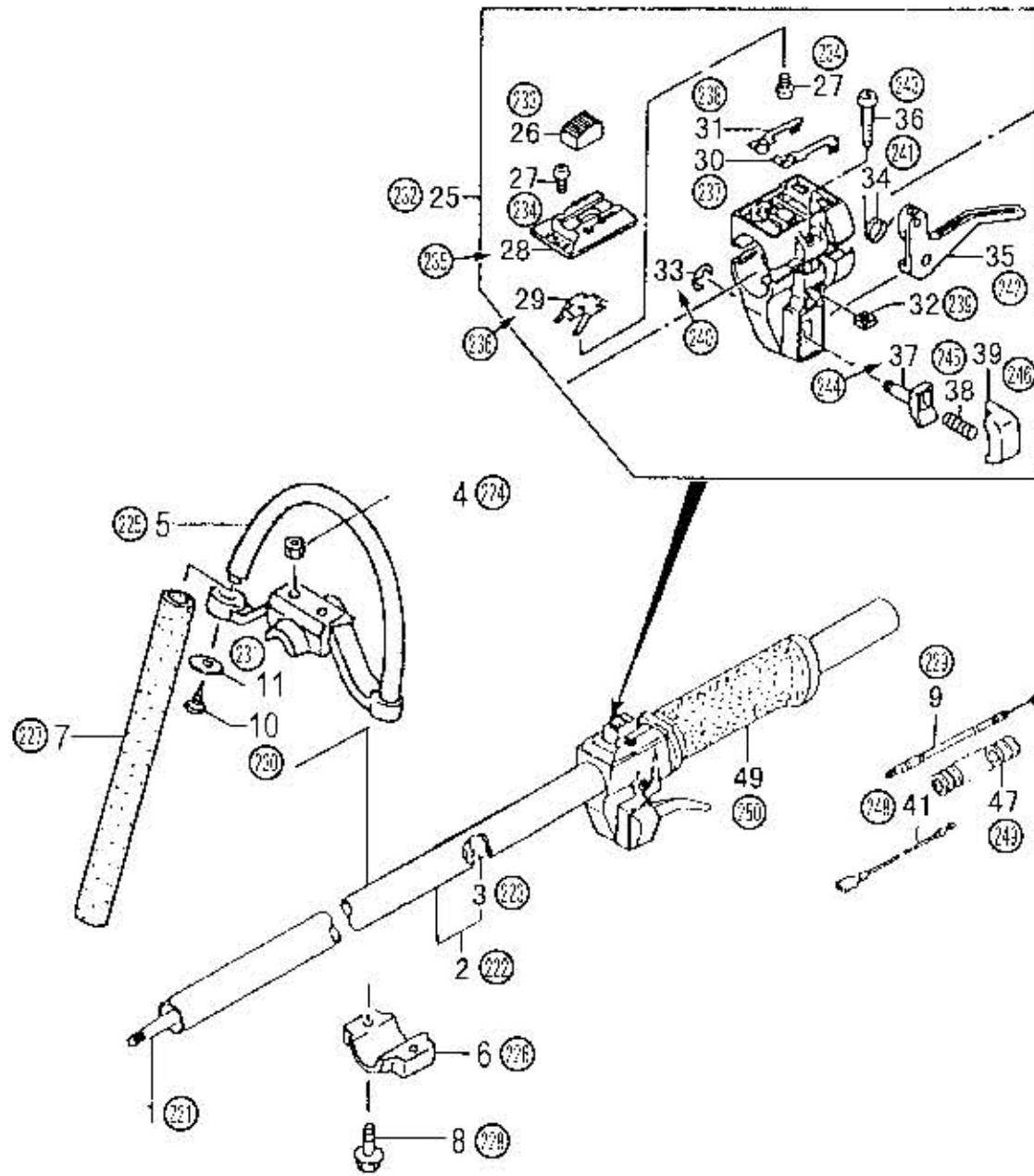
HITACHI NUMBER	REF. NUMBER	PARTS NUMBER	DESCRIPTION	Q'TY	TANAKA PARTS NUMBER
B48-05 RECOIL STARTER					
151	0	669-2969	RECOIL STARTER ASS'Y	1	762-0162V-91
152	2	669-3227	STARTER HANDLE	1	785-01620-20
153	3	669-3135	ROPE GUIDE	1	780-06150-20
154	4	669-3036	RECOIL STARTER BODY	1	772-06150-21
155	5	669-3111	RECOIL SPRING	1	779-0136U-20
156	6	669-3157	ROPE 3.5X890	1	783-0162V-20
157	7	669-3057	STARTER ROPE REEL	1	774-0162V-20
158	8	669-3419	ROPE REEL WASHER	1	801-0162V-20
159	9	669-3632	SET SCREW	1	839-00025-20
160	55	669-3394	STARTER PULLEY ASS'Y	1	798-0166R-90
161	56	669-3299	STARTER PAWL	1	788-0138A-20
162	57	669-3345	STARTER PAWL SPRING	1	790-0162V-20
163	61	669-5508	HEX. HOLE BOLT 4X18WS	2	994-64040-185

B48-06 CAEBURETOR



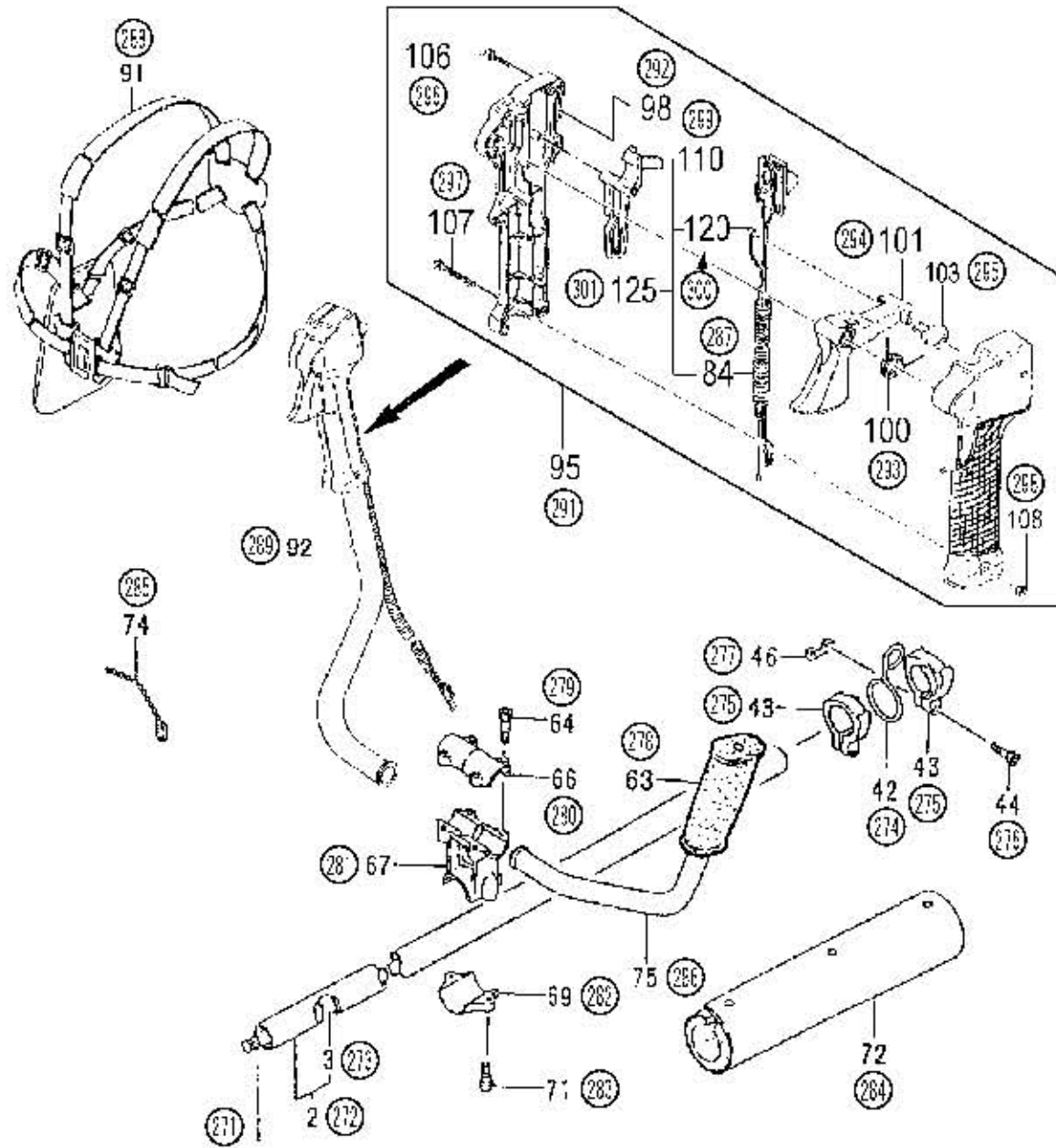
HITACHI NUMBER	REF. NUMBER	PARTS NUMBER	DESCRIPTION	Q'TY	TANAKA PARTS NUMBER
B48-06 CAEBURETOR					
181	2	668-4879	PUMP BODY COMP.	1	575-25153-80
182	3	668-4687	PRIMING PUMP COMP.	1	442-25151-80
183	4	668-4688	DIAPHRAGM COVER	1	476-25151-20
184	5	668-4689	PRIMING BODY	1	447-25108-20
185	6	669-0830	METERING DIAPHRAGM COMP.	1	474-25241-80
186	7	668-4691	DIAPHRAGM GASKET	1	475-25153-20
187	8	668-4693	PUMP DIAPHRAGM	1	576-25100-20
188	9	669-1457	PUMP GASKET	1	577-25100-20
189	10	669-6130	MAIN JET #38.5	1	599-200BW-38
190	11	668-4695	O-RING	1	550-25100-20
191	12	668-4696	STOP RING	1	489-25100-20
192	13	668-4697	SWIVEL	1	539-25120-20
193	15	668-4870	THROTTLE SET SCREW	2	514-25100-20
194	16	668-4873	CABLE ADJUSTER STAY	1	544-25164-20
195	17	668-4872	LOCK NUT M6	1	991-01060-013
196	18	668-4871	CABLE ADJUSTER	1	614-25137-20
197	19	668-4875	CLEANER PACKING	1	431-0634C-20
198	20	668-4699	SET SCREW	4	548-25151-20
199	21	668-4874	THRUST WASHER	1	549-25165-20
200	201	668-4700	INLET SCREEN	1	578-25007-20

B48-07 THROTTLE LEVER/HANDLE(TBC-340PF)



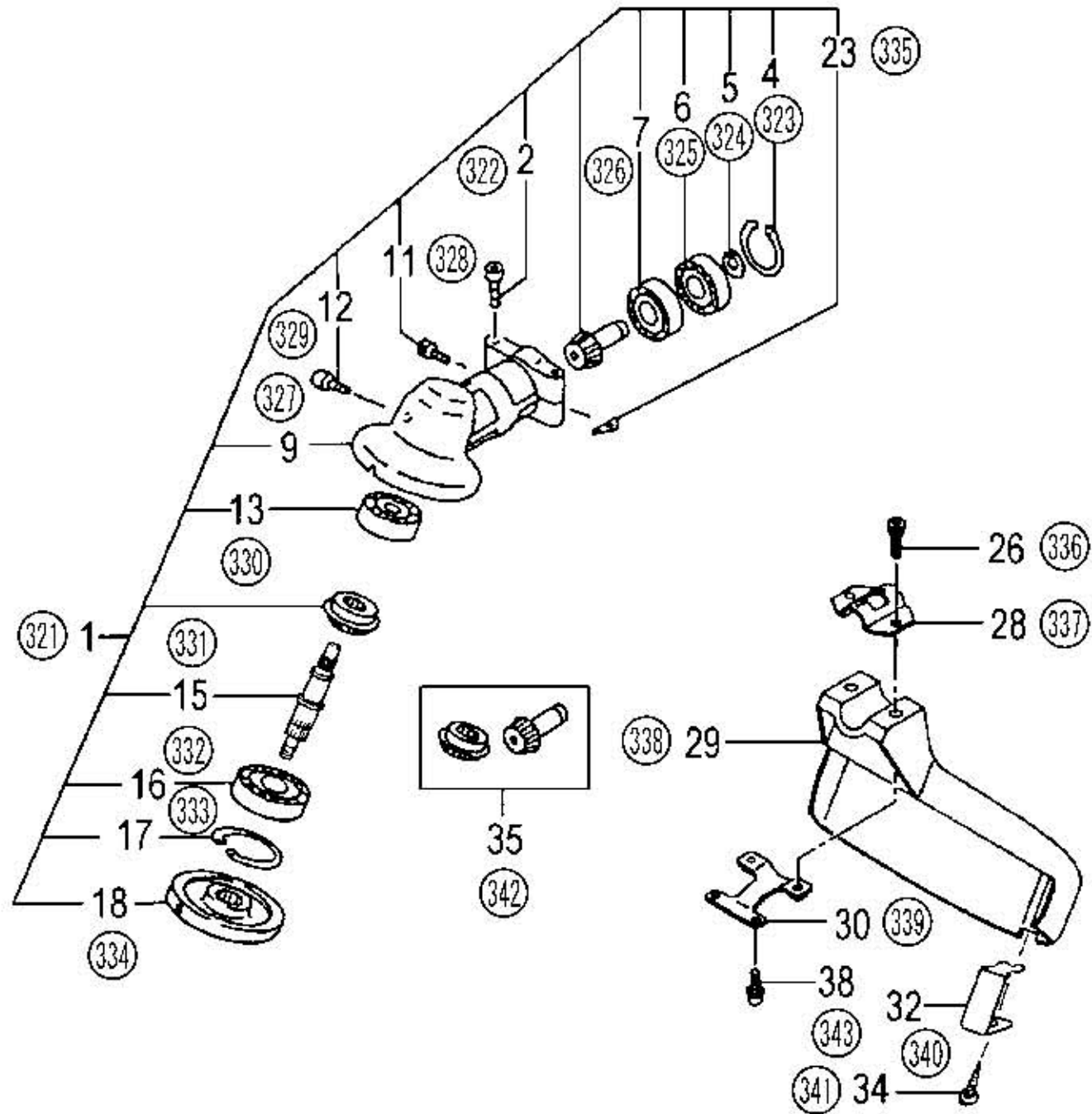
HITACHI NUMBER	REF. NUMBER	PARTS NUMBER	DESCRIPTION	Q'TY	TANAKA PARTS NUMBER
B48-07 THROTTLE LEVER/HANDLE(TBC-340PF)					
221	1	668-9478	DRIVE SHAFT 1533L	1	343-38302-20
222	2	668-9407	DRAME SHAFT PIPE COMP.	1	341-38300-81
223	3	668-9518	BUSHING ASS'Y	5	347-37356-90
224	4	668-4835	HEX NUT 6	2	991-01060-041
225	5	669-1049	LOOP HANDLE. 26DIA., BLACK	1	500-3738E-20
226	6	669-1128	HANDLE BRACKET A	1	506-33560-20
227	7	669-1098	HANDLE GRIP	1	503-3738E-20
228	8	668-4838	BOLT 6X43/P (BLACK)	2	994-23060-432
229	9	669-3963	THROTTLE WIRE COMP., 4T	1	885-37394-80
230	10	669-5255	TAPPING SCREW 5X20	1	993-11052-012
231	11	668-9681	BRAKE SHAFT WASHER	1	368-32350-20
232	25	669-3739	THROTTLE LEVER ASS'Y 26MM	1	870-3738F-90
233	26	668-7515	STOP SWITCH	1	162-37101-20
234	27	669-5274	TAPPING SCREW 3X8	3	993-42030-081
235	28	668-8374	STOP SWITCH BASE	1	259-37101-20
236	29	668-8385	STOP SWITCH SPRING	1	262-37101-20
237	30	668-7805	EARTH TERMINAL B	1	177-37101-20
238	31	668-7801	EARTH TERMINAL A	1	176-37101-20
239	32	668-5000	SPECIAL NUT M5	2	315-33340-20
240	33	669-5311	STOP RING E-6	1	993-55060-001
241	34	669-3601	RETURN SPRING	1	832-37101-20
242	35	669-3804	THROTTLE ARM	1	880-37286-20
243	36	669-5453	SCREW 5X20	2	994-31050-201
244	37	669-3653	LOCK BUTTON SHAFT	1	853-37101-20
245	38	669-4834	LOCK BUTTON SPRING	1	958-37101-20
246	39	669-4829	LOCK BUTTON	1	956-37101-20
248	41	668-7915	STOP CORD, B430M	2	178-37394-80
249	47	668-7569	PROTECTION TUBE 10X230L	1	164-10023-01
250	49	669-1110	SHAFT GRIP	1	504-37003-20

B48-08 THROTTLE LEVER/HANDLE(TBC-340PFD)



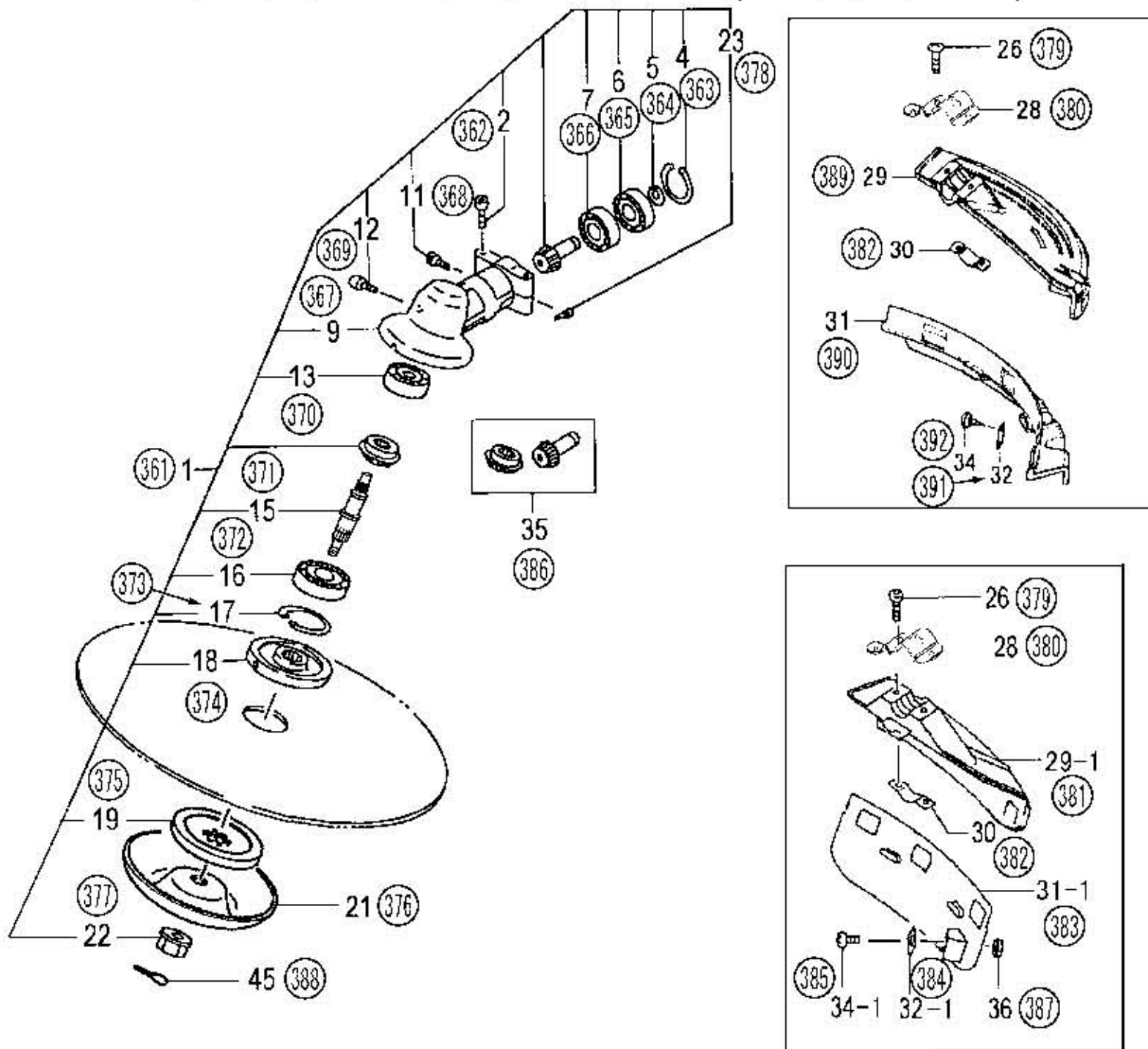
HITACHI NUMBER	REF. NUMBER	PARTS NUMBER	DESCRIPTION	Q'TY	TANAKA PARTS NUMBER
B48-08 THROTTLE LEVER/HANDLE(TBC-340PFD)					
271	1	668-9478	DRIVE SHAFT 1533L	1	343-38302-20
272	2	668-9407	DRAME SHAFT PIPE COMP.	1	341-38300-81
273	3	668-9518	BUSHING ASS'Y	5	347-37356-90
274	42	668-9274	LIFTING METAL. 90 DGR SWIVEL	1	335-37307-20
275	43	668-9258	LIFTING METAL COLLAR 26	2	334-37352-21
276	44	669-5501	HEX. HOLE BOLT 5X30.P	2	994-62050-304
277	46	668-9100	SPECIAL NUT	1	315-37304-20
278	63	668-4708	HANDLE GRIP	1	165-37590-20
279	64	668-4709	HEX.HOLE BOLT M5X25/S	4	994-61050-254
280	66	668-4710	HANDLE BRACKET A	1	506-37623-20
281	67	669-1158	HANDLE BRACKET	1	507-37850-20
282	69	669-1174	HANDLE BRACKET C, 26 DIA.	1	508-37589-20
283	71	668-4714	HEX.HOLE BUTTON SCREW 6X25S	2	994-81060-254
284	72	668-9291	HIP PAD	1	336-37857-80
285	74	668-4715	CLAMP B.	1	460-33111-20
286	75	668-4716	LEFT HANDLE	1	502-37415-21
287	84	668-7546	PROTECTION TUBE	1	164-07086-50
288	91	669-6184	SHOULDER BELT ASS'Y OR	1	746-37857-91
289	92	669-1075	RIGHT HANDLE SK	1	501-37169-20
291	95	669-3766	THROTTLE LEVER ASS'Y 19	1	870-38401-91
292	98	668-4721	SAFETY LEVER	1	253-38400-20
293	100	668-4722	RETURN SPRING	1	832-38400-20
294	101	668-4723	THROTTLE LEVER	1	880-38401-20
295	103	668-4724	BLIND PLUG	1	322-38400-20
296	106	668-4725	SCREW M4X20 (BLACK)	2	993-46040-202
297	107	668-4726	SCREW 5X30 (BLACK)	1	994-31050-303
298	108	668-4727	CONTAL NUT 5	1	991-01050-043
299	110	668-7460	STOP SWITCH	1	156-38401-80
299	110	668-7461	STOP SWITCH	1	156-38401-81
300	120	669-4023	THROTTLE WIRE	1	887-38401-80
301	125	669-3979	THROTTLE WIRE COMP.	1	885-38401-80
301	125	669-3980	THROTTLE WIRE COMP.	1	885-38401-81

B48-09 GEAR CASE/GUARD(TBC-340PF)



HITACHI NUMBER	REF. NUMBER	PARTS NUMBER	DESCRIPTION	Q'TY	TANAKA PARTS NUMBER
B48-09 GEAR CASE/GUARD(TBC-340PF)					
321	1	668-8762	GEAR CASE ASS'Y, 26 DIA.	1	300-3738F-90
322	2	668-4709	HEX.HOLE BOLT M5X25/S	2	994-61050-254
323	4	669-5294	STOP RING C-26, INNER	1	993-51026-002
324	5	669-5315	STOP RING OUTER 10	1	993-57010-002
325	6	669-5526	BALL BEARING #6000Z, 26MM/OD	1	999-61600-002
326	7	669-5524	BALL BEARING #6000, 26MM/OD	1	999-61600-000
327	9	668-8770	GEAR CASE 26 DIA	1	300-37480-20
328	11	668-4667	HEX.HOLE BOLT M5X12/S	1	994-61050-124
329	12	668-9109	OILING BOLT	1	316-38150-20
330	13	668-4734	BALL BEARING 609	1	999-61609-000
331	15	668-8946	GEAR SHAFT	1	304-38150-20
332	16	669-5554	BALL BEARING 6201D, 32MM/OD	1	999-61620-103
333	17	669-5295	STOP RING C-32, INNER	1	993-51032-002
334	18	668-9032	CUTTER HOLDER	1	310-38150-20
335	23	668-9159	GEAR CASE WASHER	1	324-37350-20
336	26	668-4714	HEX.HOLE BUTTON SCREW 6X25S	2	994-81060-254
337	28	669-0303	COVER BRACKET, 26 DIA.	1	442-37325-20
338	29	669-0255	SAFETY COVER, 26 DIA.	1	441-37587-20
339	30	669-0343	SAFETY GUARD HOLDER	1	445-38150-20
340	32	669-3388	KNIFE	1	797-38150-20
341	34	668-4753	TAPPING SCREW 5X20	1	993-17052-002
342	35	668-8875	GEAR/PINION SET, SPARE	1	301-37480-00
343	38	668-4667	HEX.HOLE BOLT M5X12/S	2	994-61050-124

B48-10 GEAR CASE/GUARD(TBC-340PFD)

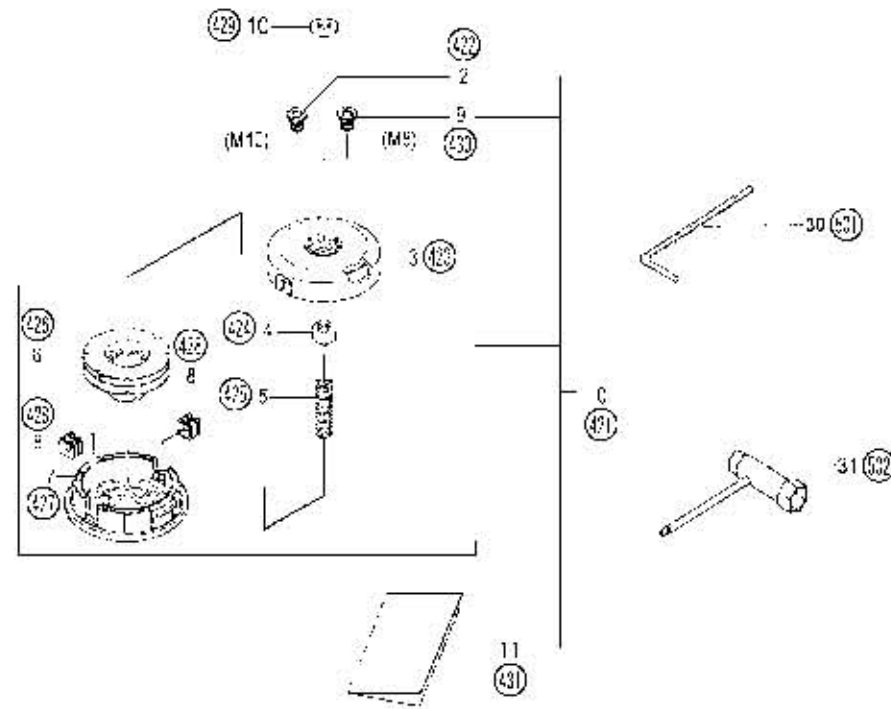


HITACHI NUMBER	REF. NUMBER	PARTS NUMBER	DESCRIPTION	Q'TY	TANAKA PARTS NUMBER
B48-10 GEAR CASE /GUARD(TBC340PFD)					
361	1	668-8771	GEAR CASE ASS'Y. 26 DIA	-	300-37480-90
362	2	668-4709	HEX.HOLE BOLT M5X25/S	2	994-6*050-254
363	4	668-5294	STOP RING C-26. INNER	-	993-5*026-002
364	5	668-53*5	STOP RING OUTER 10	-	993-57010-002
365	6	668-5526	BALL BEARING #6000Z. 26MM/OD	-	999-6*600-002
366	7	668-5524	BALL BEARING #6000. 26MM/OD	-	999-6*600-000
367	9	668-8770	GEAR CASE 26 DIA	-	300-37480-20
368	11	668-4667	HEX.HOLE BOLT M5X12/S	-	994-6*050-124
369	12	668-8*09	OILING BOLT	-	3*6-38150-20
370	13	668-4734	BALL BEARING 609	-	999-6*609-000
371	15	668-8946	GEAR SHAFT	-	304-38150-20
372	16	668-5554	BALL BEARING 6201D, 32MM/OD	-	999-6*620-103
373	17	668-5295	STOP RING C-32. INNER	-	993-5*032-002
374	18	668-9032	CUTTER HOLDER	-	3*0-38150-20
375	19	668-9055	CUTTER HOLDER CAP	-	3*1-38150-20
376	21	668-8885	PROTECTION COVER B	-	308-38150-20
377	22	668-9073	FIXING NUT M10X1.25	-	3*3-38150-20
378	23	668-8159	GEAR CASE WASHER	-	324-37350-20
379	26	668-47*4	HEX HOLE BUTTON SCRFW 6X25S	2	994-8*060-254
380	28	668-0315	COVER BRACKET 26	-	442-38331-20
381	29-1	668-0242	GUARD 26 CE	-	441-37380-21
382	30	668-4748	BLADE GUARD HOLDER	-	445-37380-20
383	31-1	668-0372	COVER GUARD	-	447-37380-20
384	32-1	668-3386	KNIFE	-	797-37380-21
385	34-1	668-5334	SCRFW 5X12/S	-	994-4*050-121
386	35	668-8875	GEAR/PINION SET. SPARE	-	301-37480-00
387	36	668-4865	NUT M5	-	991-0*050-011
388	45	668-5*68	SPLIT PIN SET(10 PCS/PACK)	-	327-37180-90
389	29	668-0276	GUARD 26 CE	-	441-38331-20
390	31	668-0376	BLADE GUARD	-	447-38331-20
391	32	668-4750	KNIFE	-	797-37714-20
392	34	668-4751	TAPPING SCREW 4X*4	-	993-48040-142

形 名

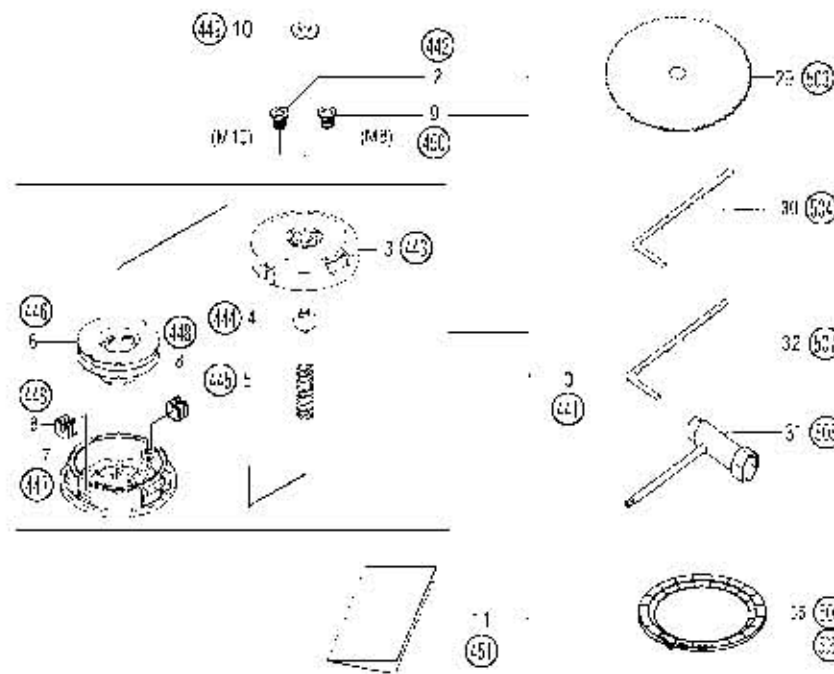
TBC340PF-10

B48-11 TOOLS & NYLON HEAD(TBC-340PF)



HITACHI NUMBER	REF. NUMBER	PARTS NUMBER	DESCRIPTION	Q'TY	TANAKA PARTS NUMBER
B48-11 TOOLS & NYLON HEAD (TBC-340PF)					
42*	0	669-32*4	NYLON HEAD SURE TAP J2 B*5	*	783-3383H-01
422	2	668-4756	MOUNTING NUT L-M10X1.25	*	356-3383E-20
423	3	668-4757	CUTTING BODY	*	786-33830-20
424	4	668-4758	SPECIAL NUT	*	3*5-33830-20
425	5	668-4759	REEL SPRING	*	793-33830-20
426	6	668-4760	SPOOL	*	787-33830-20
427	7	668-4761	CUTTING BODY CAP	*	789-33830-20
428	8	668-4762	EYELET	2	788-33830-20
429	10	668-5072	BOLT WASHER M*2	*	992-01120-011
430	9	668-9624	MOUNTING NUT L-M8X1.25	*	356-3383E-20
431	1*	669-76*2	MANUAL SURE TAP	*	967-3/820-21
50*	30	668-4813	HEX. BAR WRENCH 4MM	*	8*3-20000-20
502	31	668-4764	BOX WRENCH (HEX. SOCKET 7/19)	*	826-20000-80

B48-12 TOOLS & NYLON HEAD(TBC-340PFD)



HITACHI NUMBER	REF. NUMBER	PARTS NUMBER	DESCRIPTION	Q'TY	TANAKA PARTS NUMBER
B48-12 TOOL & NYLON HEAD (TBC-340PFD)					
441	0	669-3214	NYLON HEAD SURE TAP U2 BF5	*	783-3383B-91
442	2	668-4756	MOUNTING NUT L-M*0X1.25	*	356-3383B-20
443	3	668-4757	CUTTING BODY	*	786-33830-20
444	4	668-4758	SPECIAL NUT	*	315-33830-20
445	5	668-4759	REEL SPRING	*	793-33830-20
446	6	668-4760	SPOOL	*	787-33830-20
447	7	668-4761	CUTTING BODY CAP	*	789-33830-20
448	8	668-4762	EYELET	2	788-33830-20
449	10	668-5072	BOLT WASHER M12	*	992-01120-011
450	9	668-9624	MOUNTING NUT L M8X1.25	*	356-3383E-20
451	11	669-7612	MANUAL SURE TAP	*	967-37820-21
503	29	669-3493	BLADE 80 TEE*H 230	*	809-3815B-20
504	30	668-4813	HEX. BAR WRENCH 4MM	*	813-20000-20
505	31	668-4764	BOX WRENCH (HEX. SOCKET 17/19)	*	826-20000-80
506	35	668-4768	CUTTING BODY COVER	2	616-3/724-20
507	32	669-3520	HEX WRENCH 3	*	817-20000-20