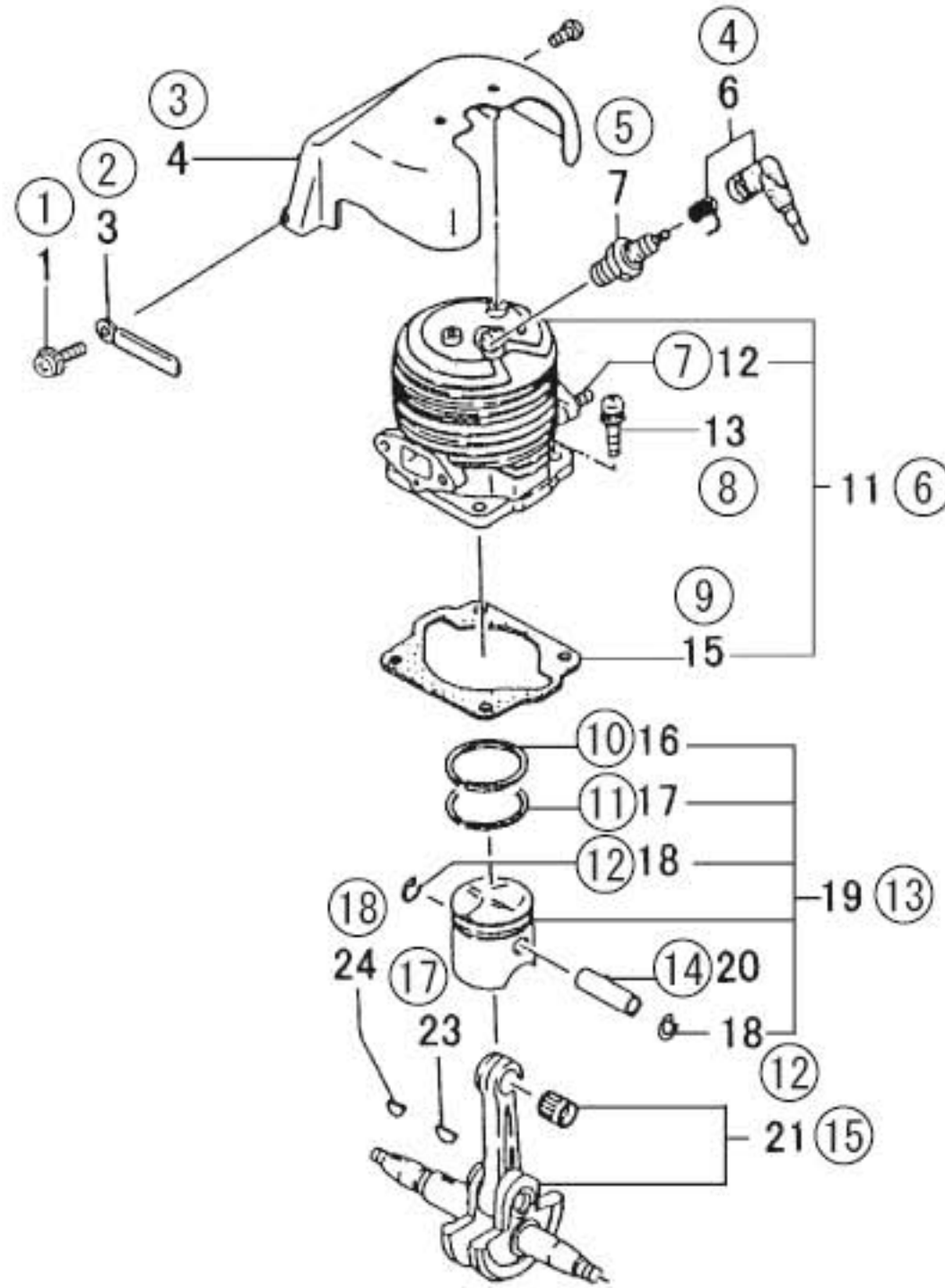
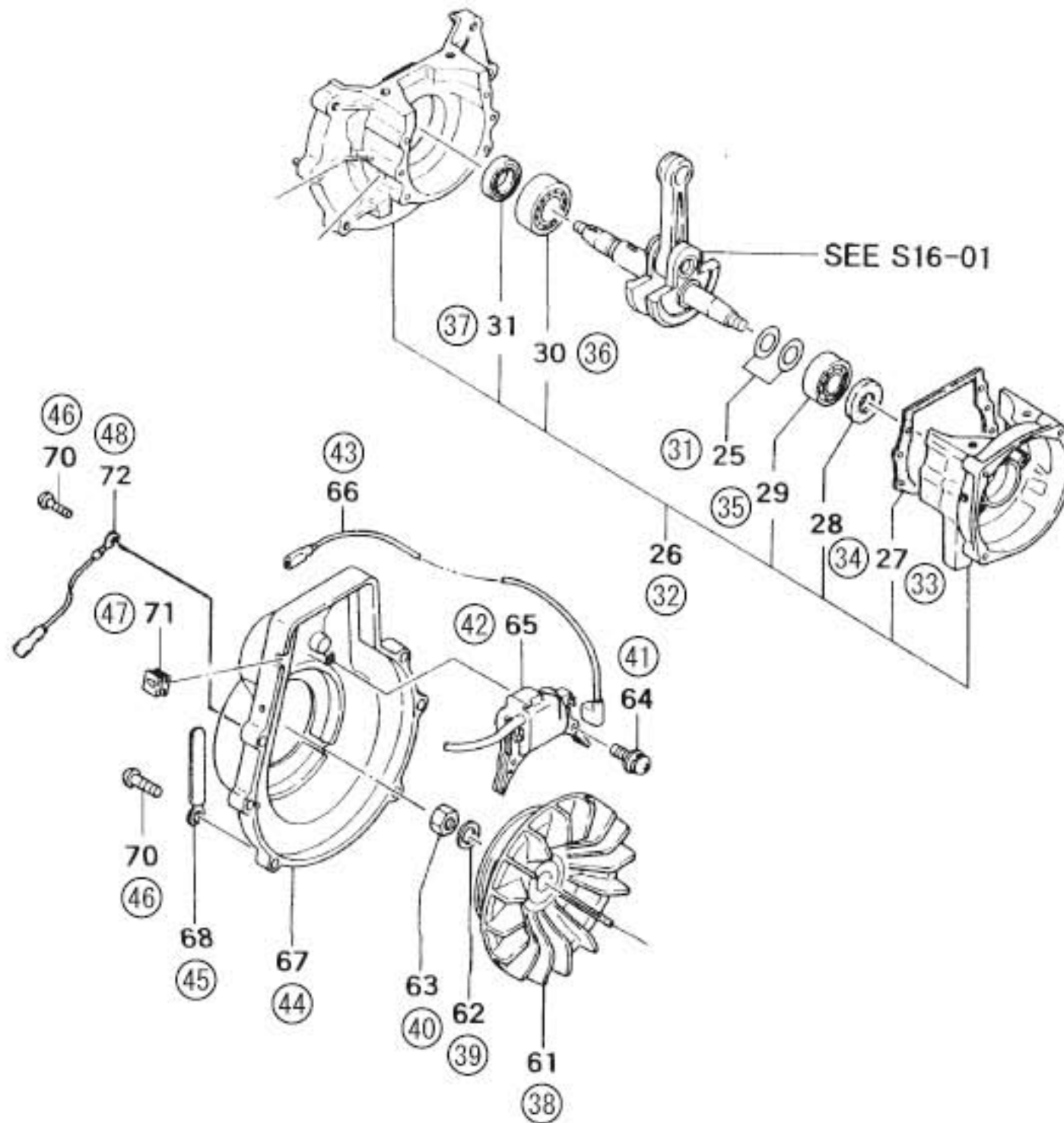


S16-01 CYLINDER/PISTON/CRANK SHAFT



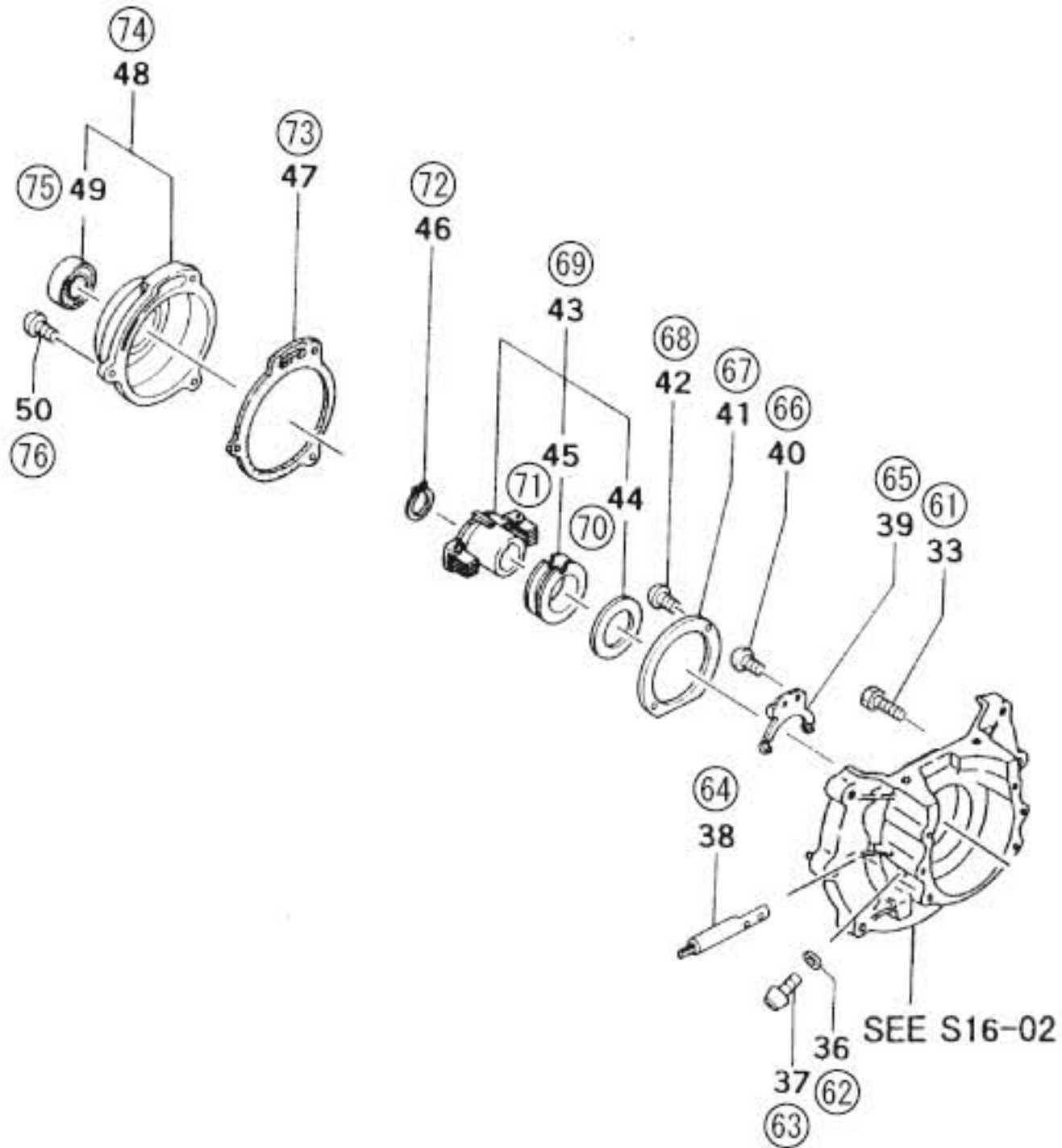
HITACHI NUMBER	REF. NUMBER	PARTS NUMBER	DESCRIPTION	Q'TY	TANAKA PARTS NUMBER
S16-01 CYLINDER/PISTON/CRANK SHAFT					
1	1	669-5321	SCREW 5X12/P	3	994-13050-121
2	3	668-8011	CORD CLAMP COMP.	1	198-11600-80
3	4	668-5695	CYLINDER COVER	1	016-10244-20
4	6	668-7468	SPARK PLUG CAP ASS'Y	1	157-01570-90
5	7	668-5778	SPARK PLUG BM-7A	1	018-11600-21
6	11	668-5497	CYLINDER SET PN	1	001-10266-90
7	12	668-6773	STUD BOLT 6X30	2	100-0422U-22
8	13	669-5495	HEX. HOLE BOLT 6X18/S	4	994-61060-184
9	15	668-5753	CYLINDER GASKET	1	017-10266-21
10	16	668-6051	PISTON RING	1	040-10100-20
11	17	668-6133	PISTON RING	1	041-10100-20
12	18	668-6029	PISTON PIN CIRCLIP	2	039-02000-20
13	19	668-5904	PISTON SET PN	1	030-10266-90
14	20	668-6019	PISTON PIN 10X35	1	037-10100-20
15	21	669-7173	CRANK SHAFT COMP	1	046-10243-80
17	23	668-4899	WOODRUFF KEY 3X13X4.5	1	068-10100-20
18	24	668-6457	WOOD-RUFF KEY 3X13X5	1	068-02000-20

S16-02 CRANK CASE



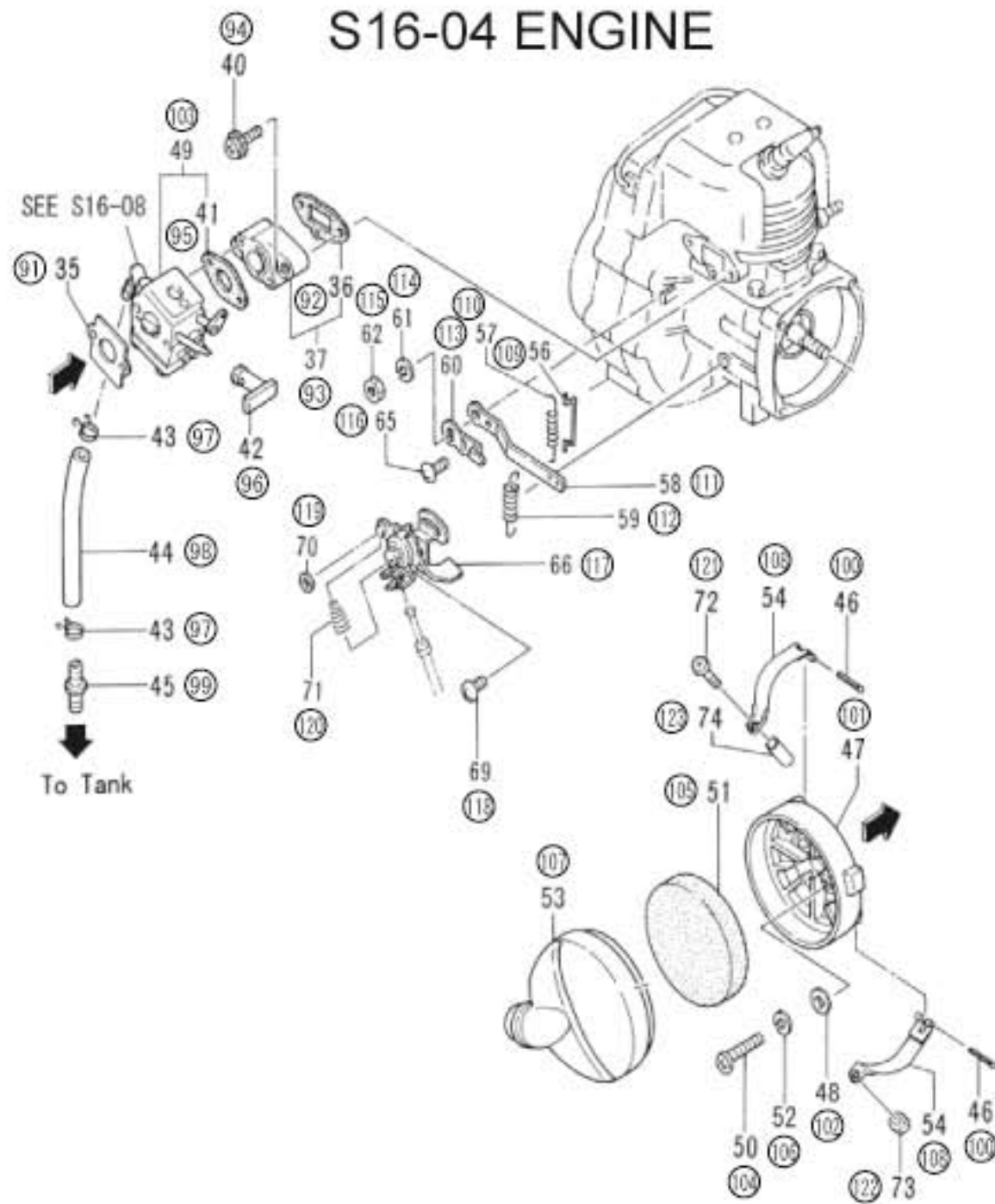
HITACHI NUMBER	REF. NUMBER	PARTS NUMBER	DESCRIPTION	Q'TY	TANAKA PARTS NUMBER
S16-02 CRANK CASE					
31	25	668-6470	CRANK SHAFT SHIM 0.10	V	071-02007-21
31	25	668-6471	CRANK SHAFT SHIM 0.15	V	071-02007-22
31	25	668-6472	CRANK SHAFT SHIM 0.20	V	071-02007-23
31	25	668-6473	CRANK SHAFT SHIM 0.30	V	071-02007-24
32	26	668-6596	CRANK CASE ASS'Y	1	072-10266-90
33	27	668-6727	CRANK CASE GASKET	1	090-10200-21
34	28	669-5641	OIL SEAL 15307	1	999-66153-000
35	29	669-5557	BALL BEARING #6202, 35MM/OD	1	999-61620-200
36	30	669-5562	BALL BEARING #6203, 40MM/OD	1	999-61620-300
37	31	669-5648	OIL SEAL UE17307	1	999-66173-066
38	61	668-7403	MAGNETO ROTOR COMP.	1	155-21714-80
39	62	669-5198	WASHER 10	1	992-01100-011
40	63	669-5134	NUT 10 (L.H. THREAD)	1	991-09100-001
41	64	669-5410	SCREW 4X22/WS	2	994-16040-226
42	65	669-5942	IGNITION COIL 255	1	167-21954-81
43	66	668-7826	STOP CORD COMP.	1	178-0136M-80
43	66	669-6371	CORD B135M	1	178-10269-80
44	67	668-7047	FAN CASE	1	112-10246-20
45	68	668-8008	CORD CLAMP COMP.	1	198-10246-80
46	70	669-5364	SCREW 6X30/S	4	994-14060-301
47	71	668-8040	GROMMET	1	202-10200-20
48	72	668-8448	EARTH CORD, B70M	1	274-04037-80

S16-03 GOVERNOR



HITACHI NUMBER	REF. NUMBER	PARTS NUMBER	DESCRIPTION	Q'TY	TANAKA PARTS NUMBER
S16-03 GOVERNOR					
61	33	669-5499	HEX.HOLE BOLT 6X30/S	4	994-61060-304
62	36	669-2685	DRAIN GASKET	1	727-01040-20
63	37	669-4926	SCREW 6X10	1	990-11060-102
64	38	668-9682	GOVERNOR SHAFT	1	369-10250-20
65	39	668-9679	GOVERNOR SHAFT ARM	1	367-10250-21
66	40	669-4855	SCREW 3X6	2	990-11030-061
67	41	668-9175	OIL PARTITION	1	329-10250-21
68	42	669-4861	SCREW 4X8	2	990-11040-081
69	43	668-7057	GOVERNOR ASS'Y	1	114-10250-91
70	44	668-9780	GOVERNOR PLATE	1	388-10250-21
71	45	668-9782	GOVERNOR SLEEVE	1	389-10250-21
72	46	669-5285	STOP RING C-15, OUTER	1	993-50015-002
73	47	668-9775	GOVERNOR COVER GASKET	1	385-10250-20
74	48	668-9771	GOVERNOR COVER ASS'Y	1	384-10243-90
75	49	669-5637	OIL SEAL UD15257	1	999-66152-564
76	50	669-4863	SCREW 4X10	3	990-11040-101

S16-04 ENGINE

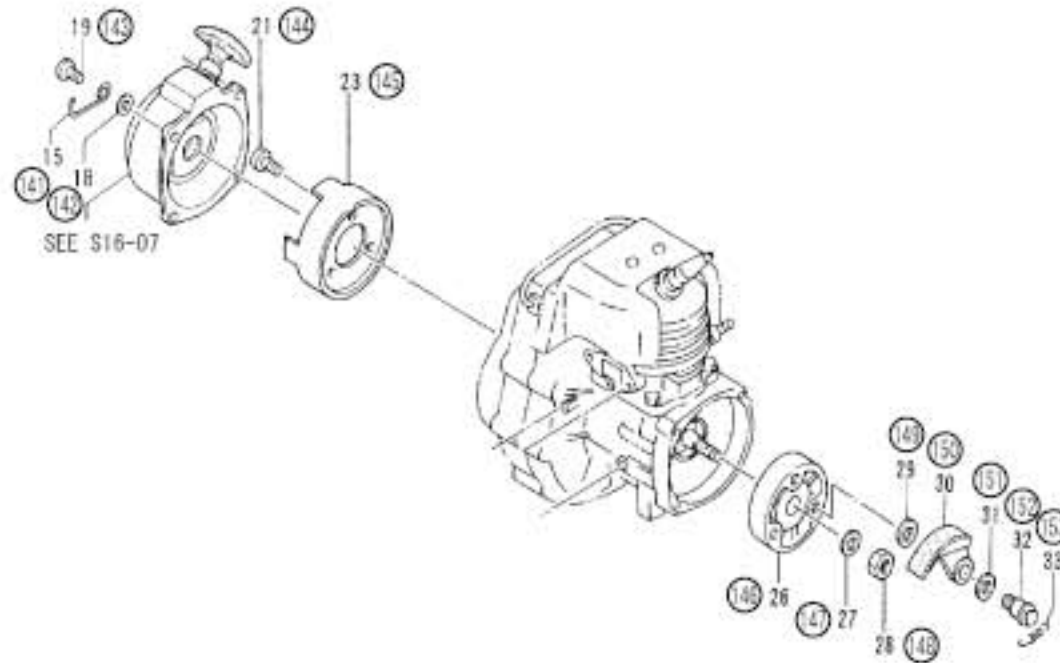


HITACHI NUMBER	REF. NUMBER	PARTS NUMBER	DESCRIPTION	Q'TY	TANAKA PARTS NUMBER
S16-04 ENGINE					
91	35	669-0183	CLEANER GASKET	1	431-05015-20
92	36	668-9899	INLET MANIFOLD GASKET	1	403-10244-20
93	37	668-9980	CARBURETOR INSULATOR SET	1	404-10262-90
94	40	669-5425	HEX. HOLE BOLT 5X25WS	2	994-16050-253
95	41	668-9826	CARBURETOR GASKET	1	402-01740-20
96	42	669-1004	CHOKE LEVER	1	495-04200-20
97	43	669-2305	CLIP 5.5	2	680-00206-20
98	44	669-2419	FUEL PIPE 3X5X195	1	700-53005-19
99	45	668-5196	PIPE JOINT	1	497-32970-20
100	46	669-5267	SPRING PIN 2.5X16	2	993-24025-161
101	47	669-0129	CLEANER BODY	1	423-10246-20
102	48	668-4864	SMALL WASHER 5	2	992-00050-011
103	49	669-0524	CARBURETOR SET PN	1	455-10266-90
104	50	669-4917	SCREW 5X65	2	990-11050-651
105	51	669-0324	CLEANER ELEMENT A	1	444-02401-20
106	52	668-4662	S.WASHER 5	2	992-10050-012
107	53	669-0159	CLEANER CAP	1	424-10246-20
108	54	669-0211	CLEANER BAND	2	439-10246-20
109	56	669-0964	THROTTLE ROD	1	490-10244-20
110	57	668-9714	GOVERNOR ROD SPRING	1	376-12121-20
111	58	668-9719	GOVERNOR OUTER LEVER	1	377-10244-20
112	59	668-9697	GOVERNOR SPRING	1	374-10244-20
113	60	668-9687	GOVERNOR SPRING LEVER	1	372-10250-20
114	61	669-5219	S.WASHER 6	1	992-10060-012
115	62	668-4872	LOCK NUT M6	1	991-01060-013
116	65	669-5368	SCREW 4X8/PS	1	994-15040-081
117	66	669-3591	CONTROL LEVER ASS'Y	1	830-10250-90
118	69	669-5413	SCREW 5X10 WS	2	994-16050-101
119	70	669-2396	RUBBER PIPE 7.5X12X3	1	700-17512-00
120	71	669-4055	WIRE RETURN SPRING	1	902-10243-20
121	72	669-4901	SCREW 5X35	1	990-11050-351
122	73	668-4965	NUT M5	1	991-01050-011
123	74	669-0805	CLEANER FIXING COLLAR	1	470-10246-20

形 名

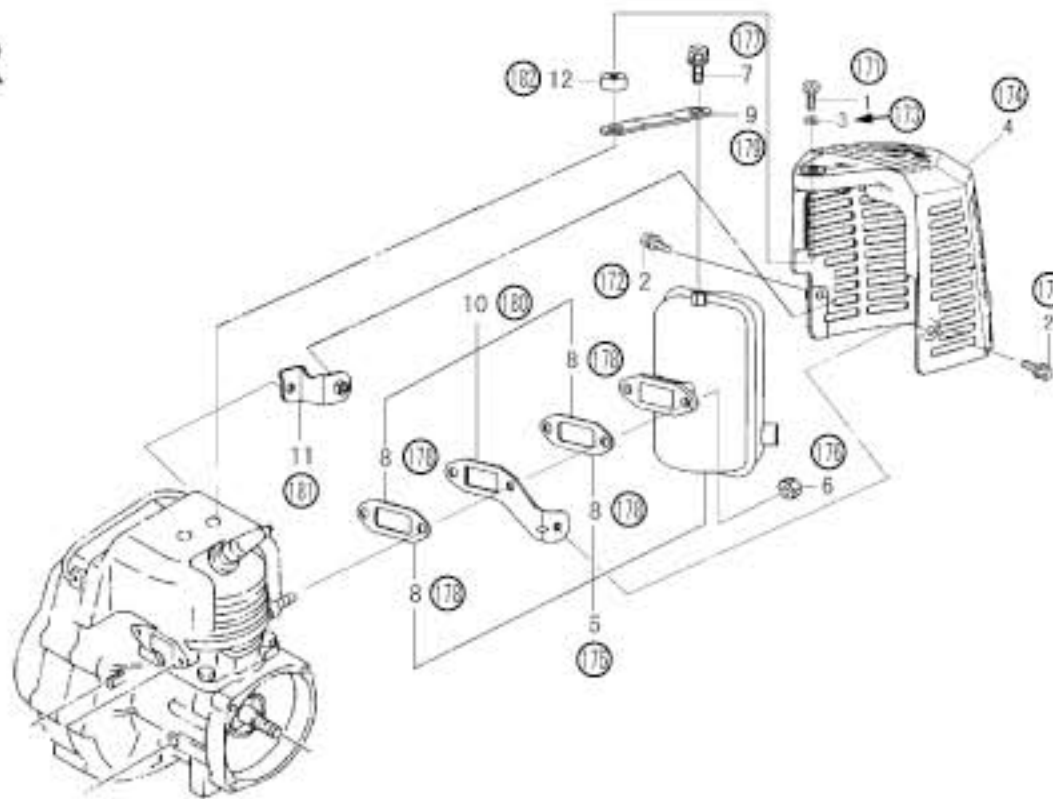
TLE600

S16-05 STARTER/CLUTCH



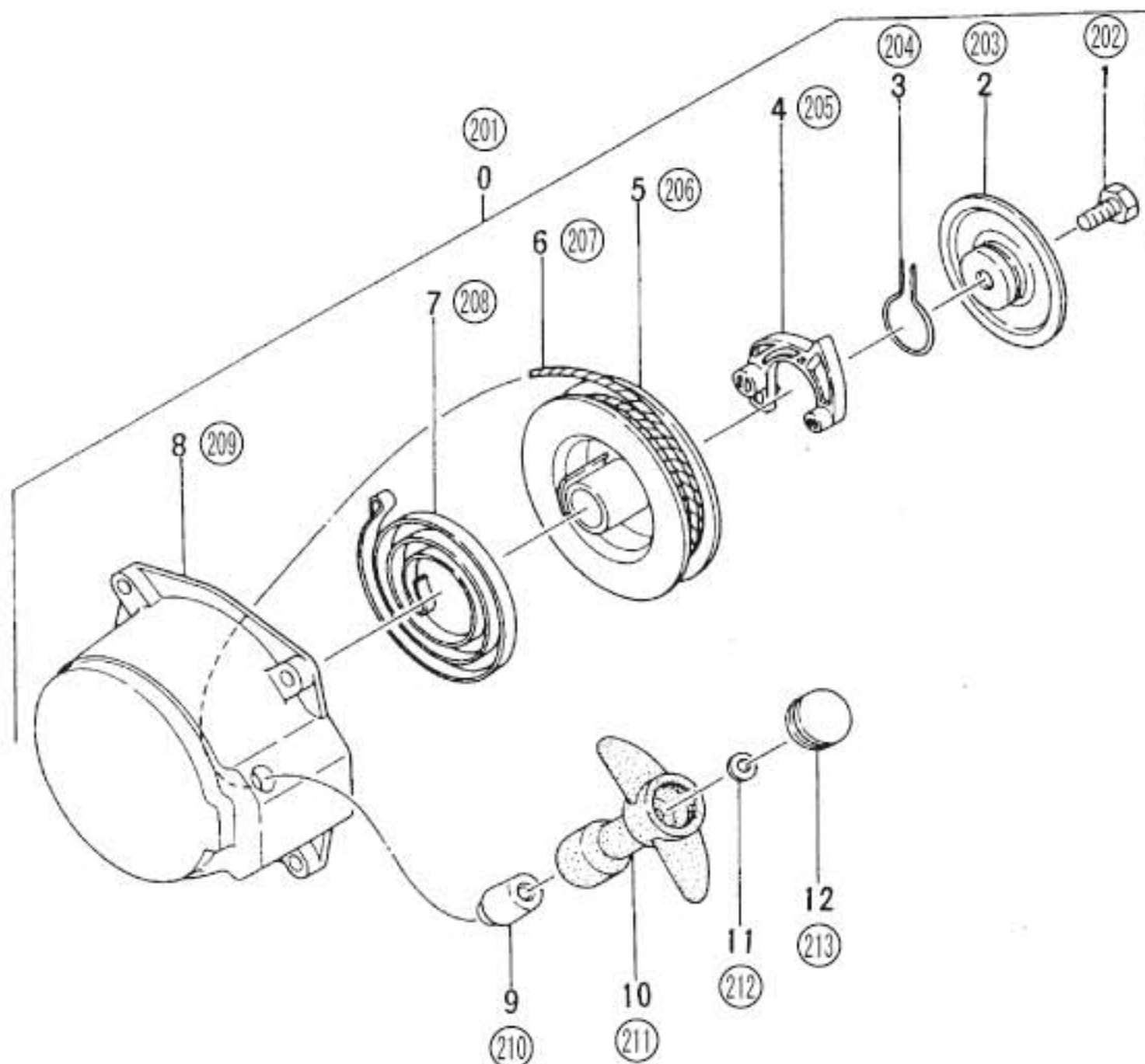
HITACHI NUMBER	REF. NUMBER	PARTS NUMBER	DESCRIPTION	Q'TY	TANAKA PARTS NUMBER
S16-05 STARTER/CLUTCH					
141	15	669-0734	HOSE CLAMP	1	461-33111-20
142	18	668-4661	WASHER 5	1	992-01050-011
143	19	669-5391	SCREW 5X20/PS	4	994-15050-201
144	21	669-5360	SCREW 6X20/S	3	994-14060-201
145	23	669-3410	STARTER PULLEY	1	798-10246-20
146	26	668-9508	CLUTCH FLANGE	1	347-10243-20
147	27	669-5198	WASHER 10	1	992-01100-011
148	28	669-5142	SMALL NUT 10 (L.H.THREAD)	1	991-15100-001
149	29	668-9645	CLUTCH WASHER B	3	359-10112-20
150	30	668-8617	CLUTCH ARM COMP.	3	290-10112-80
151	31	668-9638	CLUTCH WASHER A	3	358-10112-20
152	32	668-9633	CLUTCH STEP BOLT	3	357-10112-20
153	33	668-9434	CLUTCH SPRING	3	342-10205-22

S16-06 MUFFLER



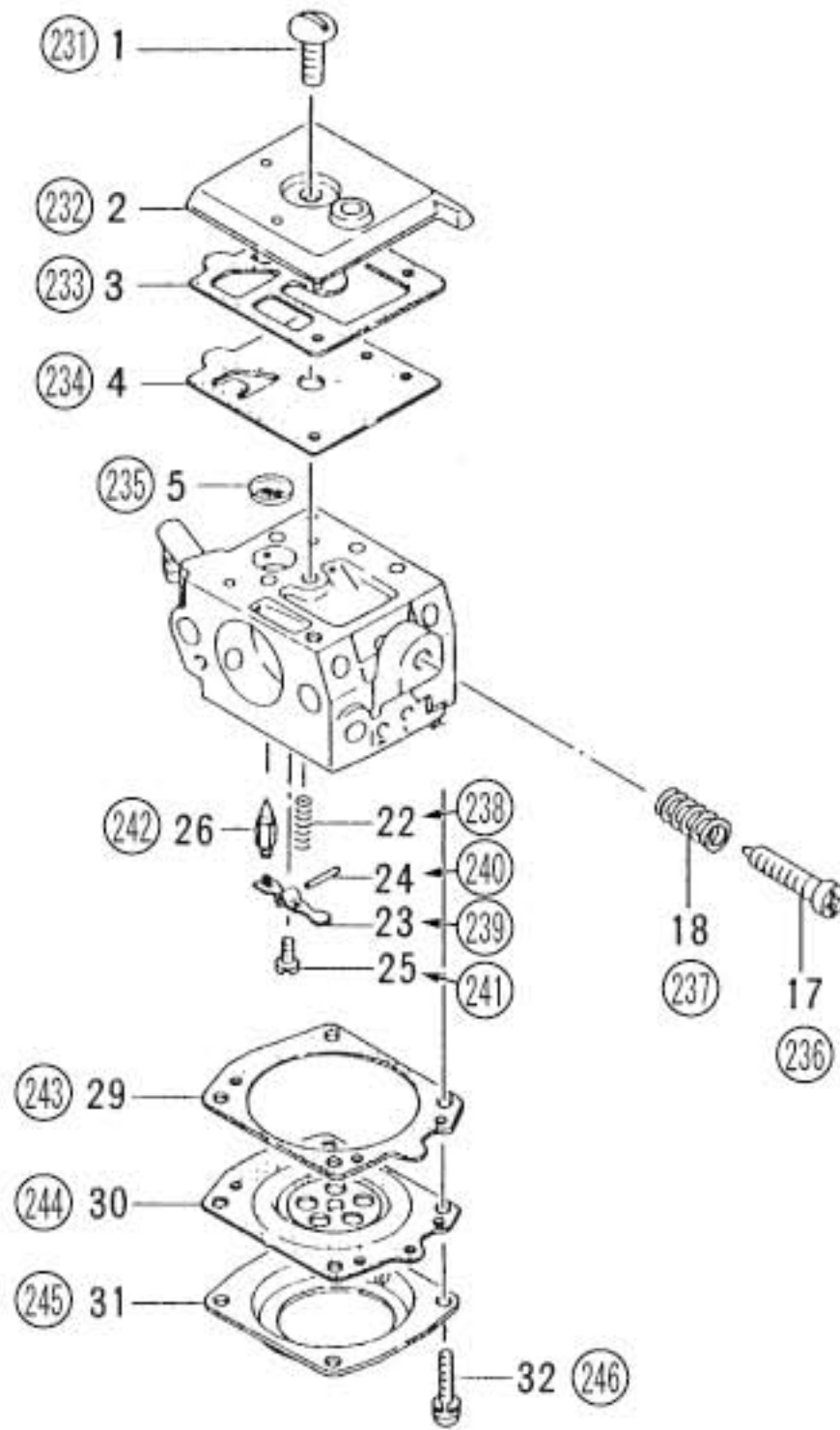
HITACHI NUMBER	REF. NUMBER	PARTS NUMBER	DESCRIPTION	Q'TY	TANAKA PARTS NUMBER
S16-06 MUFFLER					
171	1	668-4786	HEX. SOCKET HD. BOLT M5X30 S	1	994-61050-304
172	2	669-5504	HEX.HOLE BOLT 5X16/PS	2	994-63050-164
173	3	668-4661	WASHER 5	1	992-01050-011
174	4	669-2821	MUFFLER PROTECTOR	1	738-10266-20
175	5	669-2503	MUFFLER SET	1	704-10266-90
176	6	669-5475	SPRING NUT 6	2	994-40060-011
177	7	669-5481	HEX. HOLE BOLT 5X10W	1	994-60050-104
178	8	669-2746	MUFFLER GASKET 1.5T	2	737-10100-20
179	9	669-2705	MUFFLER STAY	1	733-10205-21
180	10	669-6179	MUFFLER BRACKET B	2	729-10266-90
181	11	669-2943	MUFFLER BRACKET	1	760-10266-80
182	12	669-2183	TANK FIXING COLLAR	1	649-07250-20

S16-07 RECOIL STARTER



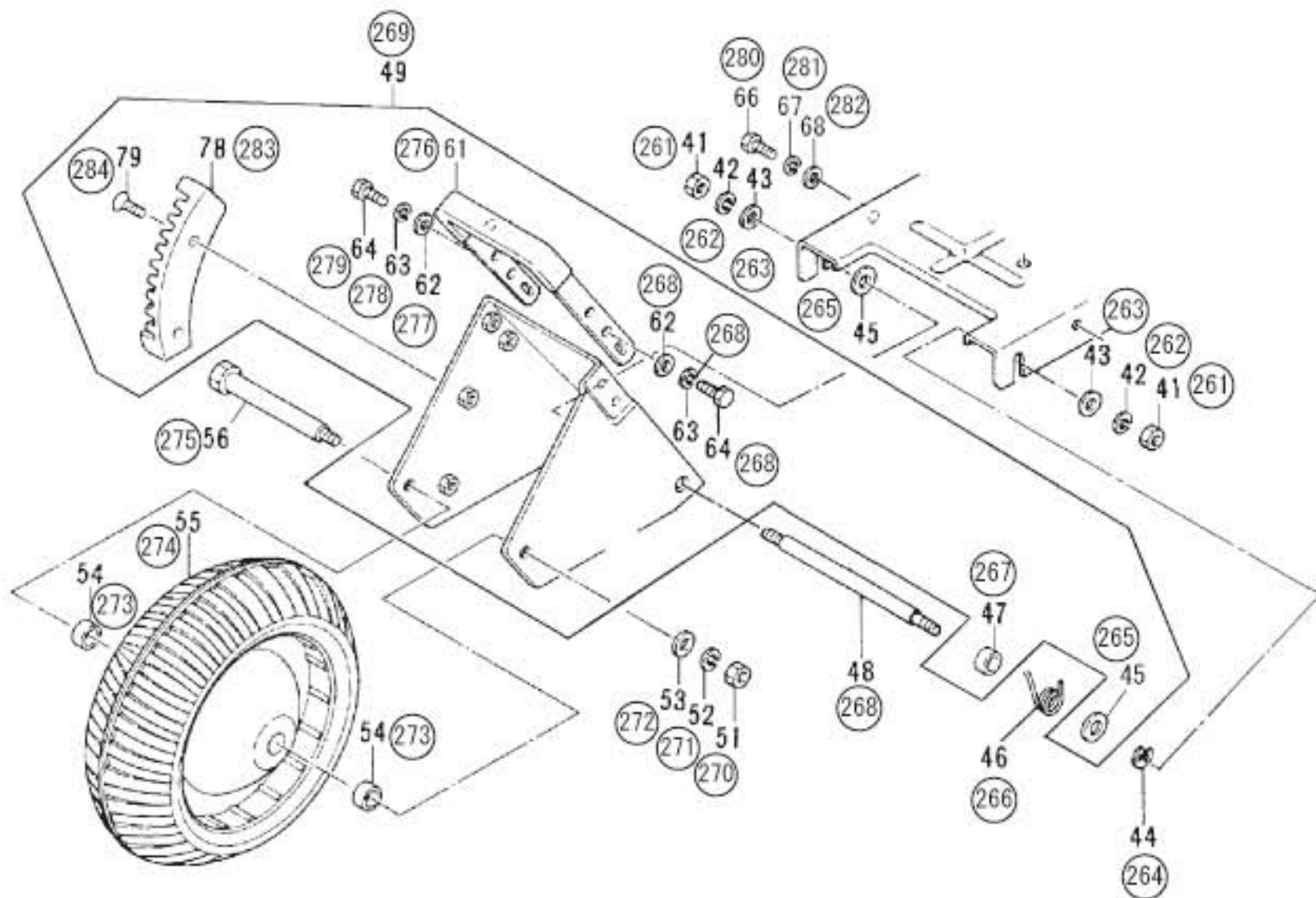
HITACHI NUMBER	REF. NUMBER	PARTS NUMBER	DESCRIPTION	Q'TY	TANAKA PARTS NUMBER
S16-07 RECOIL STATER					
201	0	669-2996	RECOIL STARTER BODY ASS'Y	1	762-10246-90
202	1	669-4982	BOLT 6X12	1	990-21060-121
203	2	669-3630	FRICION PLATE	1	837-10205-20
204	3	669-3617	FRICION SPRING	1	836-10205-20
205	4	669-3323	STARTER PAWL	1	788-10243-20
206	5	669-3085	STARTER ROPE REEL COMP.	1	774-10246-80
207	6	669-3176	STARTER ROPE	1	783-10205-20
208	7	669-3123	RECOIL SPRING	1	779-10205-20
209	8	669-3045	STARTER BODY	1	772-10246-20
210	9	669-3140	ROPE GUIDE	1	780-10108-20
211	10	669-3241	STARTER HANDLE	1	785-10118-20
212	11	669-3383	ROPE STOPPER	1	795-10243-20
213	12	669-3610	STARTER HANDLE CAP	1	835-10246-20

S16-08 CARBURETOR



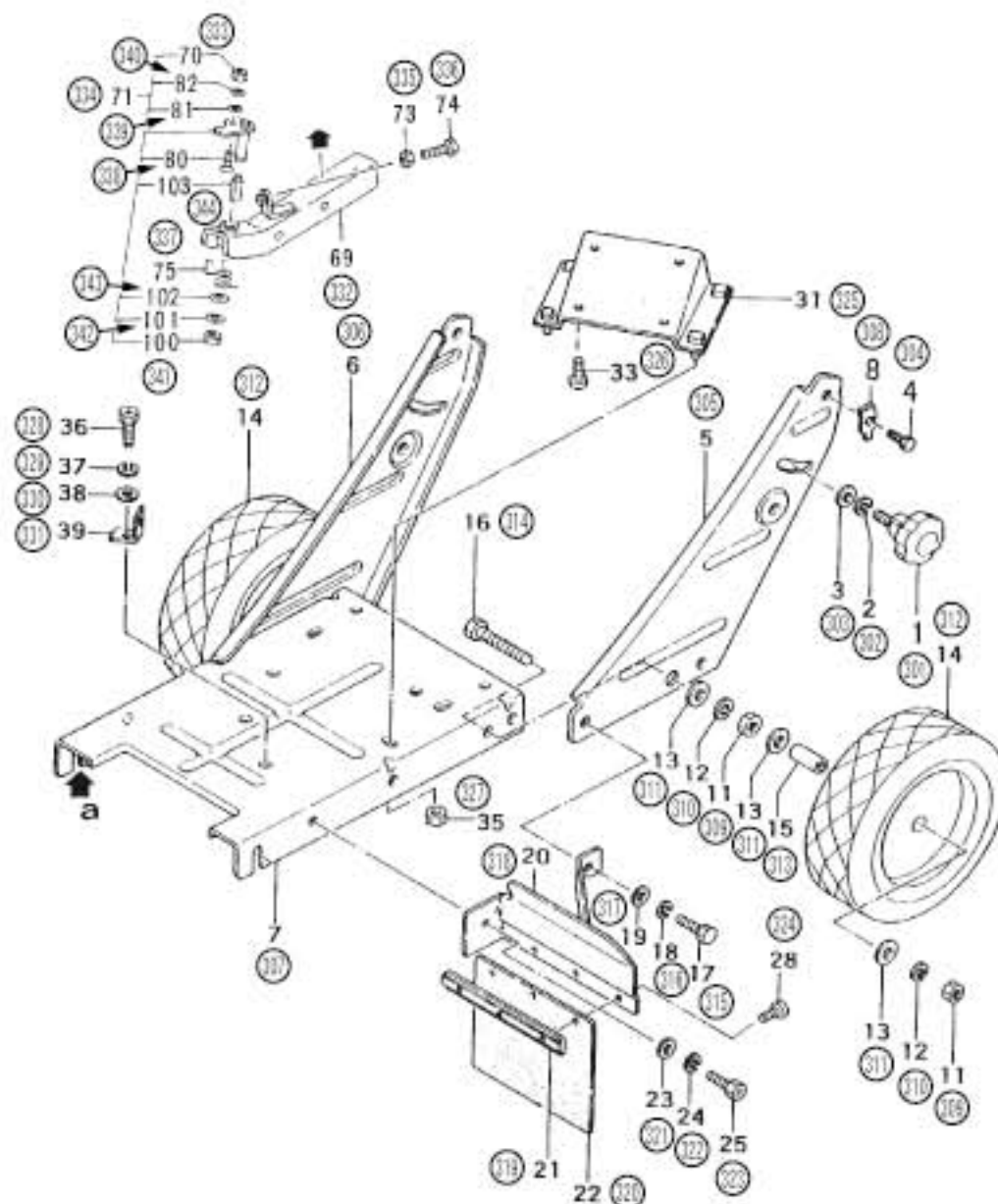
HITACHI NUMBER	REF. NUMBER	PARTS NUMBER	DESCRIPTION	Q'TY	TANAKA PARTS NUMBER
S16-08 CARBURETOR					
231	1	668-5210	SCREW	1	514-25001-20
232	2	669-1420	PUMP BODY	1	575-25012-20
233	3	669-1455	PUMP GASKET	1	577-25012-20
234	4	669-1446	PUMP DIAPHRAGM	1	576-25012-20
235	5	668-4700	INLET SCREEN	1	578-25007-20
236	17	669-0736	IDLE ADJUST SCREW	1	462-25006-20
237	18	669-0766	IDLE ADJUST SPRING	1	463-25012-20
238	22	669-0873	VALVE SPRING	1	477-25088-20
239	23	669-0819	CONTROL LEVER	1	473-25012-20
240	24	668-5219	HINGE PIN	1	605-25001-20
241	25	668-5218	HINGE PIN SET SCREW	1	546-25001-20
242	26	668-5215	NEEDLE VALVE	1	603-25012-20
243	29	669-0838	DIAPHRAGM GASKET	1	475-25012-20
244	30	669-0828	METERING DIAPHRAGM COMP.	1	474-25012-80
245	31	669-0858	DIAPHRAGM COVER	1	476-25012-20
246	32	668-5223	SET SCREW	4	548-25012-20

S16-09 FRONT FENDER



HITACHI NUMBER	REF. NUMBER	PARTS NUMBER	DESCRIPTION	Q'TY	TANAKA PARTS NUMBER
S16-09 FRONT FENDER					
261	41	668-4612	HEX.NUT M8	2	991-01080-011
262	42	668-4971	S.WASHER 8	2	992-10080-012
263	43	668-4611	WASHER M8	2	992-01080-011
264	44	669-5314	STOP RING E-10	1	993-55100-001
265	45	669-0891	WASHER	2	483-33111-20
266	46	668-7992	FRONT FENDER SPRING	1	196-33111-20
267	47	668-9149	SPACER B	1	321-33111-20
268	48	668-8624	CENTER SHAFT	1	292-33111-20
269	49	668-7986	FRONT FENDER SET,SPARE	1	195-33111-00
270	51	668-4612	HEX.NUT M8	1	991-01080-011
271	52	668-4971	S.WASHER 8	1	992-10080-012
272	53	668-4611	WASHER M8	1	992-01080-011
273	54	668-9135	SPACER	2	320-33111-20
274	55	669-0181	FRONT WHEEL	1	430-33111-80
275	56	668-8619	FRONT SHAFT	1	290-33111-20
276	61	668-7994	CARRYING HANDLE	1	197-33111-20
277	62	668-4639	WASHER 6	4	992-01060-011
278	63	669-5219	S.WASHER 6	4	992-10060-012
279	64	669-4987	BOLT 6X20	4	990-21060-201
280	66	669-5000	BOLT 8X20	1	990-21080-201
281	67	668-4971	S.WASHER 8	1	992-10080-012
282	68	668-4611	WASHER M8	1	992-01080-011
283	78	669-0842	ADJUST PLATE	1	475-33111-20
284	79	669-4956	F.H. SCREW 8X12	2	990-12080-121

S16-10 ENGINE BASE

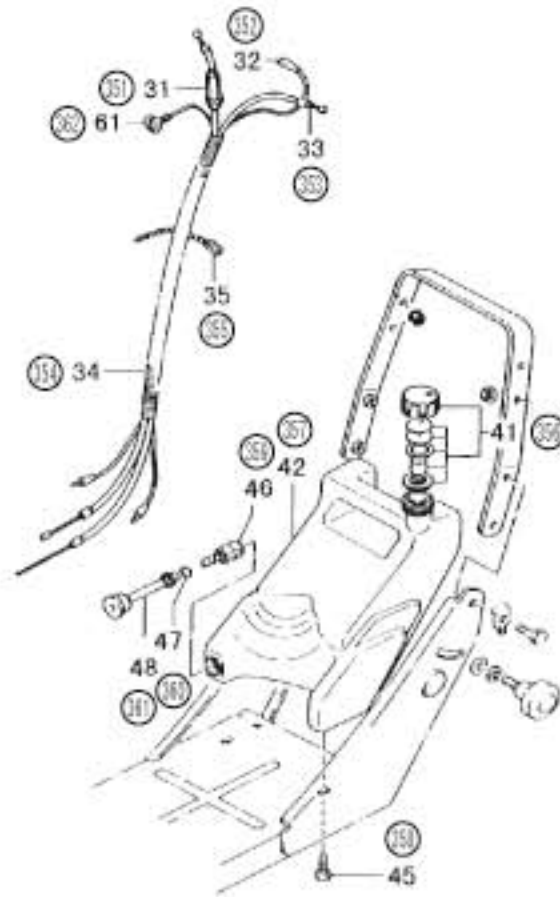


HITACHI NUMBER	REF. NUMBER	PARTS NUMBER	DESCRIPTION	Q'TY	TANAKA PARTS NUMBER
S16-10 ENGINE BASE					
301	1	668-8090	LOCK HANDLE COMP.	2	210-33110-80
302	2	668-4971	S.WASHER 8	2	992-10080-012
303	3	668-4611	WASHER M8	2	992-01080-011
304	4	669-5000	BOLT 8X20	2	990-21080-201
305	5	668-7721	HANDLE HOLDER A	1	167-33110-21
306	6	668-7723	HANDLE HOLDER B	1	168-33110-21
307	7	669-7617	ENGINE BASE COMP.	1	002-33111-80
308	8	668-7727	LOCK WASHER	2	169-33111-20
309	11	669-5131	NUT 10	4	991-01100-011
310	12	669-5225	S.WASHER 10	4	992-10100-012
311	13	669-5198	WASHER 10	6	992-01100-011
312	14	669-0188	REAR WHEEL	2	431-33110-80
313	15	668-8626	COLLAR	2	294-33111-20
314	16	669-5007	HEX. BOLT 10X70	2	990-21100-701
315	17	669-5000	BOLT 8X20	4	990-21080-201
316	18	668-4971	S.WASHER 8	4	992-10080-012
317	19	668-4611	WASHER M8	4	992-01080-011
318	20	669-1008	MUD FLAP BRACKET COMP.	1	495-33111-81
319	21	669-1016	MUD FLAP HOLDER	1	496-33111-20
320	22	669-1030	MUD FLAP	1	500-33111-20
321	23	668-4639	WASHER 6	1	992-01060-011
322	24	669-5219	S.WASHER 6	1	992-10060-012
323	25	669-5015	PLUS BOLT 6X12	1	990-23060-121
324	28	669-5370	SCREW 4X12/PS	3	994-15040-121
325	31	668-5591	ENGINE BED COMP.	1	005-33110-80
326	33	669-5358	SCREW 6X16/S	4	994-14060-161
327	35	669-5170	FLANGE NUT 6	4	991-82060-001
328	36	669-5019	PLUS BOLT 6X16	1	990-23060-161
329	37	669-5219	S.WASHER 6	1	992-10060-012
330	38	668-4639	WASHER 6	1	992-01060-011
331	39	668-9299	CLUTCH CASE STAY	1	339-33111-20
332	69	669-0888	ADJUST STAY COMP	1	481-33111-80
333	70	669-5170	FLANGE NUT 6	1	991-82060-001
334	71	669-0901	LOCK PLATE ASSY.	1	485-33111-91
335	73	668-4872	LOCK NUT M6	1	991-01060-013
336	74	669-4043	OUTER RECEIVER	1	894-01401-20
337	75	669-0920	LOCK PLATE SPRING	1	487-33111-21
338	80	669-4062	WIRE HOLDING METAL	1	904-33111-21
339	81	669-3783	SPECIAL WASHER B	1	871-32367-20
340	82	668-4639	WASHER 6	1	992-01060-011
341	100	669-5161	U-NUT 8	1	991-74080-003
342	101	668-4611	WASHER M8	1	992-01080-011
343	102	668-8981	ENGAGE LEVER WASHER	1	307-36100-20
344	103	669-0798	SPLIT COLLAR 24, NYLON	1	467-33111-20

形 名

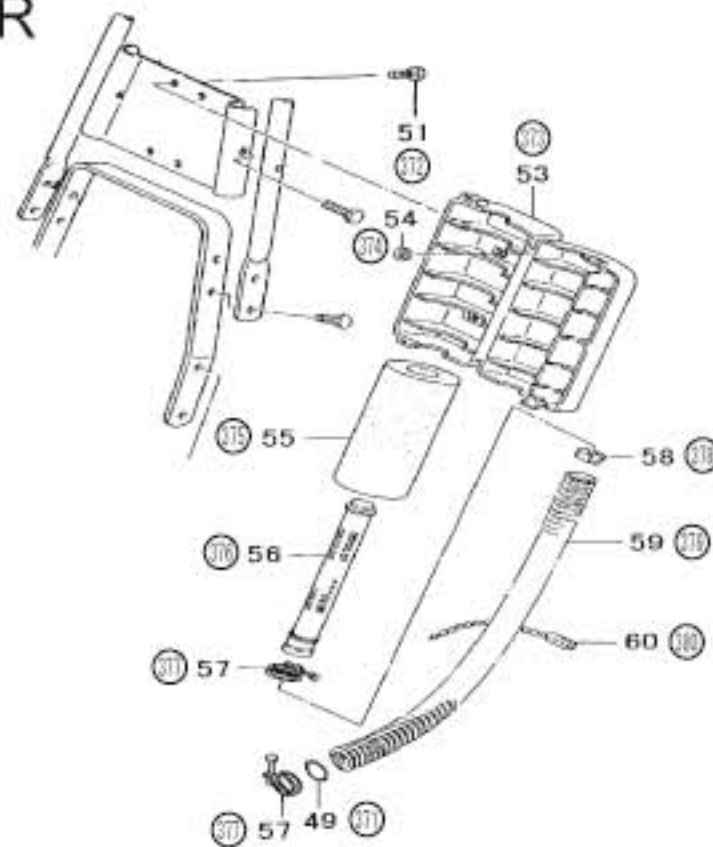
TLE600

S16-11 TANK/WIRE



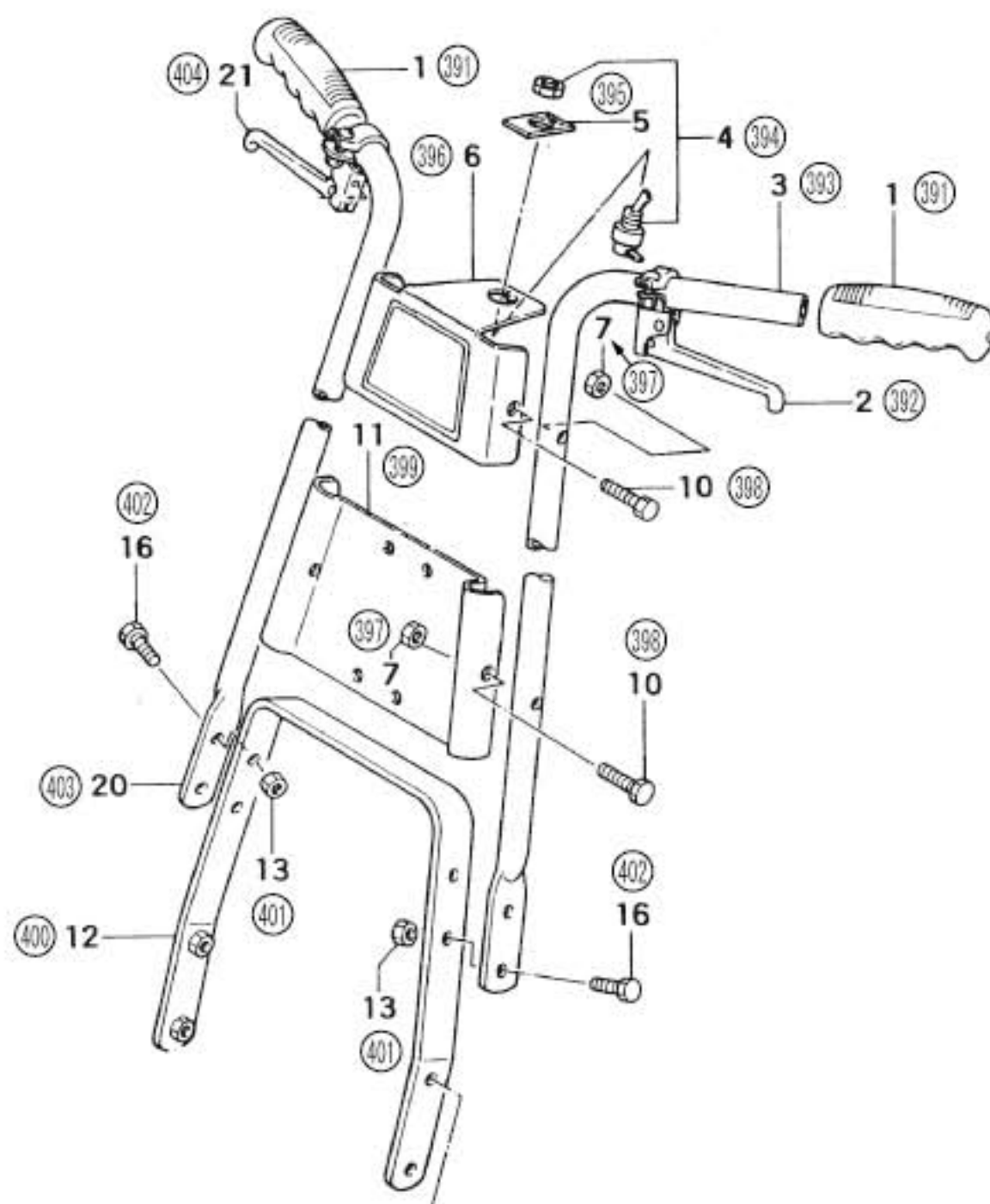
HITACHI NUMBER	REF. NUMBER	PARTS NUMBER	DESCRIPTION	Q'TY	TANAKA PARTS NUMBER
S16-11 TANK/WIRE					
351	31	669-3935	THROTTLE WIRE COMP.	1	885-10266-80
352	32	668-7879	STOP CORD COMP.	1	178-10243-80
353	33	669-0886	HEIGHT ADJUST WIRE	1	480-33127-90
354	34	668-7618	SPLIT PROTECTION TUBE 13X850L	1	164-13085-01
355	35	668-4715	CLAMP B.	1	460-33111-20
356	41	669-1788	TANK CAP ASS'Y	1	595-33124-90
357	42	669-1642	TANK COMP.	1	591-33123-80
357	42	669-1644	TANK EVAPO	1	591-3312F-80
358	45	669-5399	SCREW 6X12/PS	4	994-15060-121
359	46	669-2273	PUMP FILTER BODY ASS'Y	1	675-01630-90
360	47	669-2312	CLIP 7	1	680-04019-21
361	48	669-2299	RUBBER PIPE	1	678-10246-20
362	61	668-7804	EARTH CORD, B1150M	1	177-33111-80

S16-12 AIR CLEANER



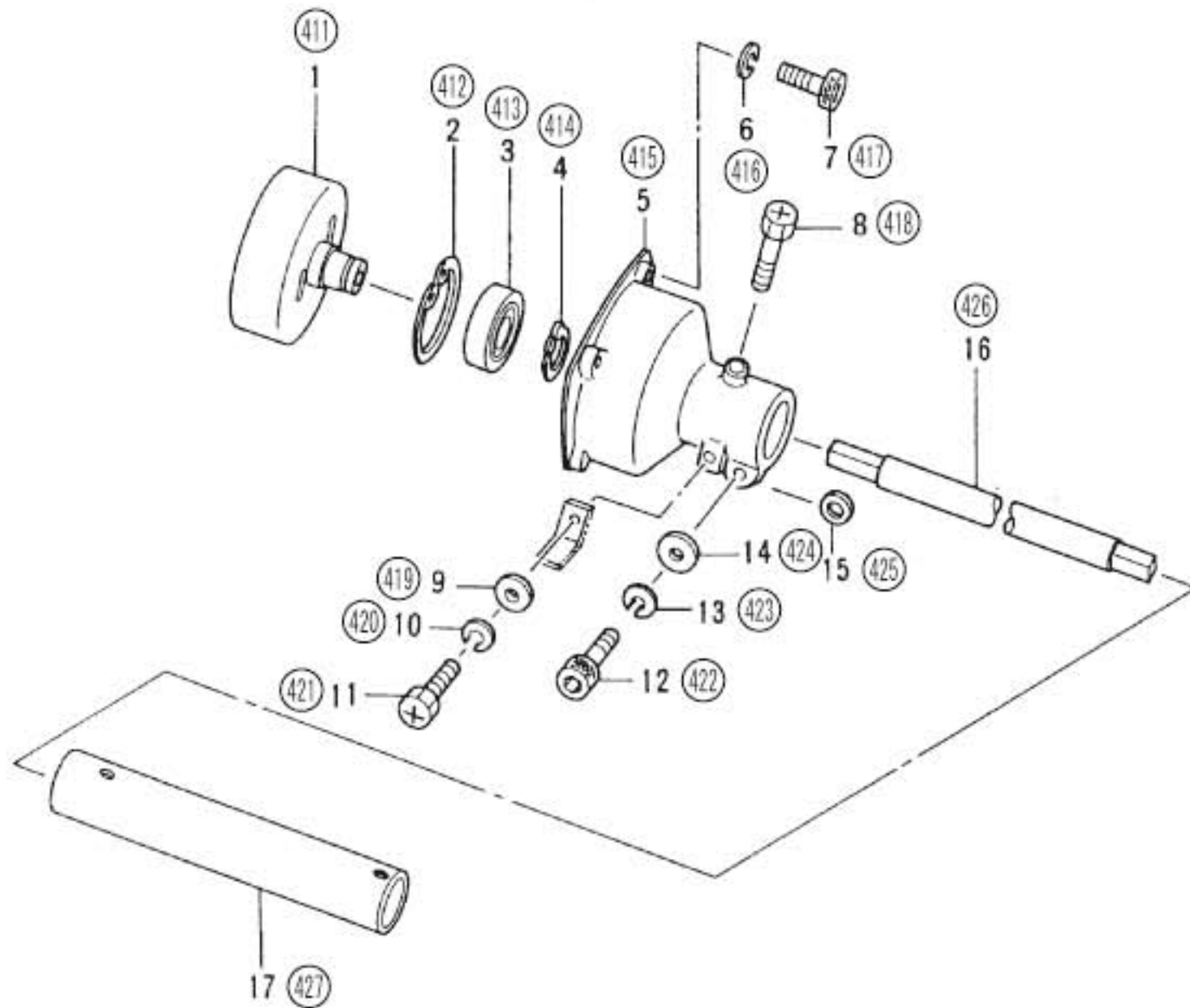
HITACHI NUMBER	REF. NUMBER	PARTS NUMBER	DESCRIPTION	Q'TY	TANAKA PARTS NUMBER
S16-12 AIR CLEANER					
371	49	669-5680	O-RING P-42	1	999-67042-003
372	51	669-5384	SCREW 5X14/PS	4	994-15050-141
373	53	669-0138	CLEANER BODY	1	423-33111-20
374	54	668-4985	NUT M5	4	991-01050-011
375	55	669-0327	CLEANER ELEMENT	1	444-05015-20
376	56	669-0168	CLEANER CORE	1	425-05015-20
377	57	669-0792	WIRE CLAMP	2	466-33111-20
378	58	669-0757	ORIFICE PIPE 15	1	462-33110-20
379	59	668-7619	CLEANER HOSE 32X550L	1	164-32055-00
380	60	669-0681	HOSE CLAMP	1	459-33111-20

S16-13 HANDLE



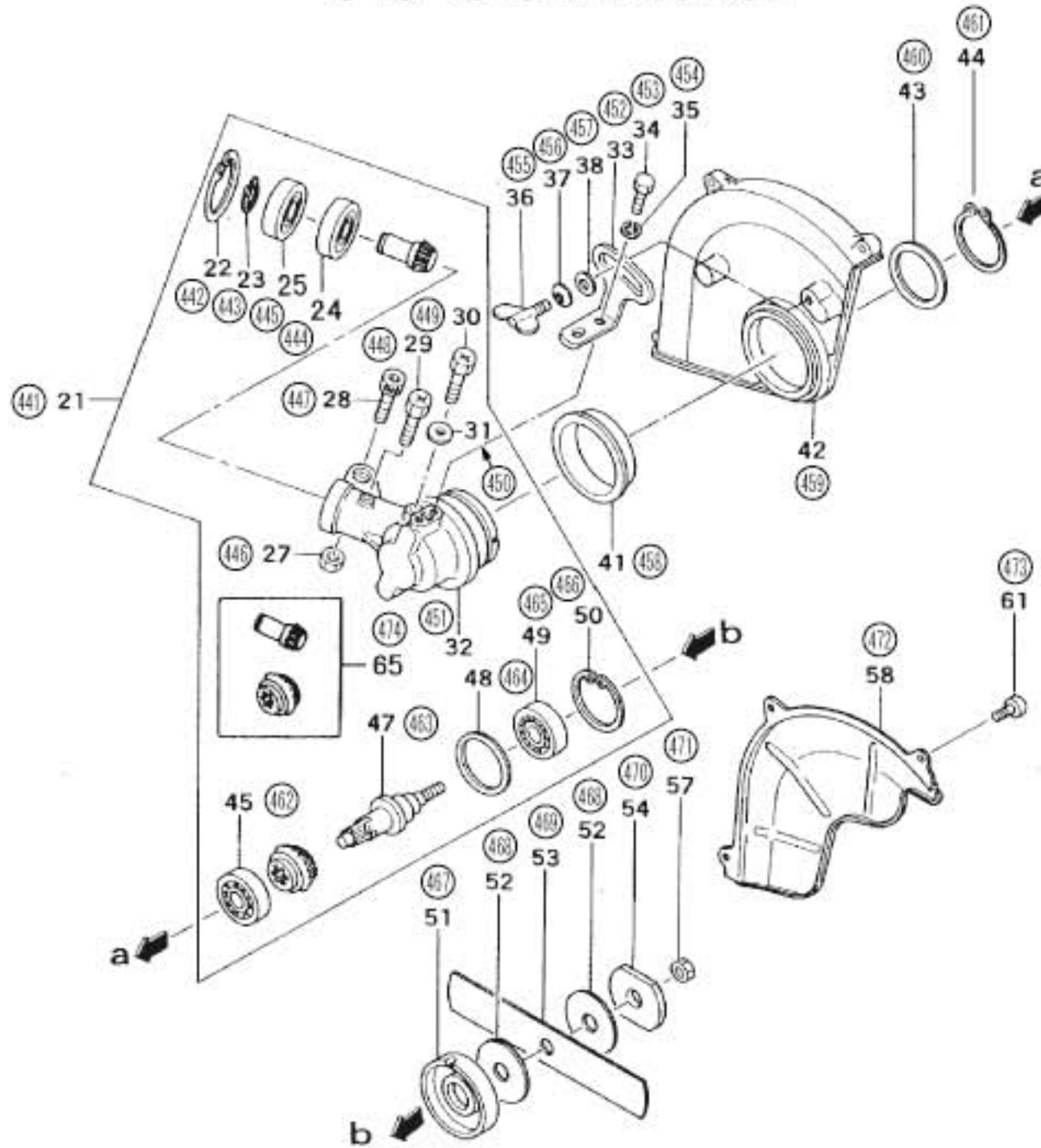
HITACHI NUMBER	REF. NUMBER	PARTS NUMBER	DESCRIPTION	Q'TY	TANAKA PARTS NUMBER
S16-13 HANDLE					
391	1	668-7623	HANDLE GRIP	2	165-33111-20
392	2	669-0816	ADJUST LEVER ASS'Y	1	472-33111-90
393	3	668-7493	HANDLE (LEFT)	1	159-33111-20
394	4	668-7502	STOP SWITCH ASS'Y	1	162-01570-90
395	5	668-7949	SWITCH NAME PLATE	1	183-01300-20
396	6	669-2140	STOP SWITCH PLATE	1	640-33111-20
397	7	669-5170	FLANGE NUT 6	4	991-82060-001
398	10	669-4992	BOLT 6X35	4	990-21060-351
399	11	669-0438	CLEANER BODY HOLDER	1	454-33111-20
400	12	668-7423	HANDLE A	1	155-33111-80
401	13	669-5170	FLANGE NUT 6	4	991-82060-001
402	16	669-5020	PLUS BOLT 6X18	4	990-23060-181
403	20	668-7485	HANDLE (RIGHT)	1	158-33111-20
404	21	669-6369	THROTTLE LEVER ASS'Y	1	162-33111-90

S16-14 CLUTCH CASE



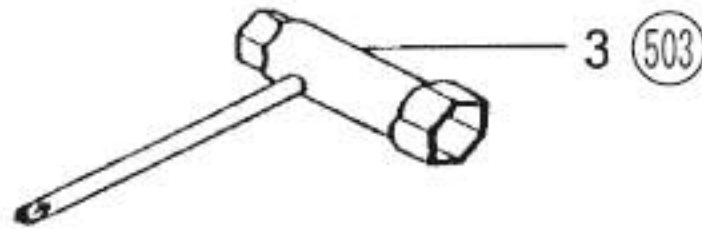
HITACHI NUMBER	REF. NUMBER	PARTS NUMBER	DESCRIPTION	Q'TY	TANAKA PARTS NUMBER
S16-14 CLUTCH CASE					
411	1	668-9234	CLUTCH DRUM COMP.	1	332-33110-80
412	2	669-5298	STOP RING C-40, INNER	1	993-51040-002
413	3	669-5564	BALL BEARING #6203DD, 40MM/OD	1	999-61620-304
414	4	669-5286	STOP RING C-17, OUTER	1	993-50017-002
415	5	668-9212	CLUTCH CASE	1	331-33110-20
416	6	668-4834	SPRING WASHER 5	4	992-10050-062
417	7	669-5051	HEX. HOLE BOLT 5X25	4	990-51050-253
418	8	669-5015	PLUS BOLT 6X12	1	990-23060-121
419	9	668-4639	WASHER 6	1	992-01060-011
420	10	669-5219	S.WASHER 6	1	992-10060-012
421	11	669-5019	PLUS BOLT 6X16	1	990-23060-161
422	12	669-5063	HEX. HOLE BOLT 6X30	1	990-51060-303
423	13	668-4826	S.WASHER 6	1	992-10060-062
424	14	669-5194	WASHER 6	1	992-01060-061
425	15	668-9296	CLUTCH CASE WASHER	1	338-33110-20
426	16	668-9446	DRIVE SHAFT	1	343-33111-20
427	17	668-9318	DRIVE SHAFT PIPE	1	341-33111-20

S16-15 GEAR CASE



HITACHI NUMBER	REF. NUMBER	PARTS NUMBER	DESCRIPTION	Q'TY	TANAKA PARTS NUMBER
S16-15 GEAR CASE					
441	21	668-8662	GEAR CASE ASS'Y	1	300-33111-90
442	22	669-5295	STOP RING C-32, INNER	1	993-51032-002
443	23	669-5285	STOP RING C-15, OUTER	1	993-50015-002
444	24	669-5557	BALL BEARING #6202, 35MM/OD	1	999-61620-200
445	25	669-5538	BALL BEARING #6002Z, 32MM/OD	1	999-61600-202
446	27	669-5128	NUT 8	1	991-01080-013
447	28	669-5069	HEX. HOLE BOLT 8X30	1	990-51080-303
448	29	669-5015	PLUS BOLT 6X12	1	990-23060-121
449	30	669-5026	PLUS BOLT 8X12	1	990-23080-121
450	31	668-9104	DRAIN PLUG GASKET	1	316-12101-20
451	32	668-8659	GEAR CASE	1	300-33110-21
452	33	669-0321	SIDE COVER STAY	1	443-33111-20
453	34	669-4983	BOLT 6X15	2	990-21060-151
454	35	669-5219	S.WASHER 6	2	992-10060-012
455	36	669-5097	WING BOLT 8X20	1	990-60080-201
456	37	668-4648	BENT WASHER 8	1	992-05080-030
457	38	668-4611	WASHER M8	1	992-01080-011
458	41	669-0336	SAFETY COVER HOLDER	1	445-33110-20
459	42	669-0215	SAFETY COVER	1	441-33110-21
460	43	668-7322	SAFETY COVER WASHER	1	141-33110-20
461	44	669-5290	STOP RING C-65, OUTER	1	993-50065-002
462	45	669-5552	BALL BEARING #6201, 32MM/OD	1	999-61620-100
463	47	668-8920	GEAR SHAFT	1	304-33110-21
464	48	668-9761	BEARING HOLDER	1	382-33110-20
465	49	669-5566	BALL BEARING #6205 DD, 52MM/OD	1	999-61620-504
466	50	669-5300	STOP RING C-52, INNER	1	993-51052-002
467	51	668-9014	CUTTER HOLDER	1	310-33110-20
468	52	668-9078	HOLDER WASHER	2	314-33111-20
469	53	669-0192	BLADE	1	435-33110-20
470	54	668-9040	CUTTER HOLDER CAP	1	311-33110-20
471	57	669-5140	SMALL NUT 12	1	991-11120-011
472	58	669-0288	SIDE COVER	1	442-33110-20
473	61	669-5382	SCREW 5X12/PS	3	994-15050-121
474	65	668-8840	GEAR PINION SET	1	301-33111-00

S16-16 TOOLS



HITACHI NUMBER	REF. NUMBER	PARTS NUMBER	DESCRIPTION	Q'TY	TANAKA PARTS NUMBER
S16-16 TOOLS					
501	1	669-2899	LOCKING BAR	1	752-33900-20
502	2	669-3498	SPANNER 13X17	1	810-20000-20
503	3	668-5997	COMBI. BOX SPANNER 10X19 PLUS	1	036-29331-50