

RVZ5000000

Concrete cutter

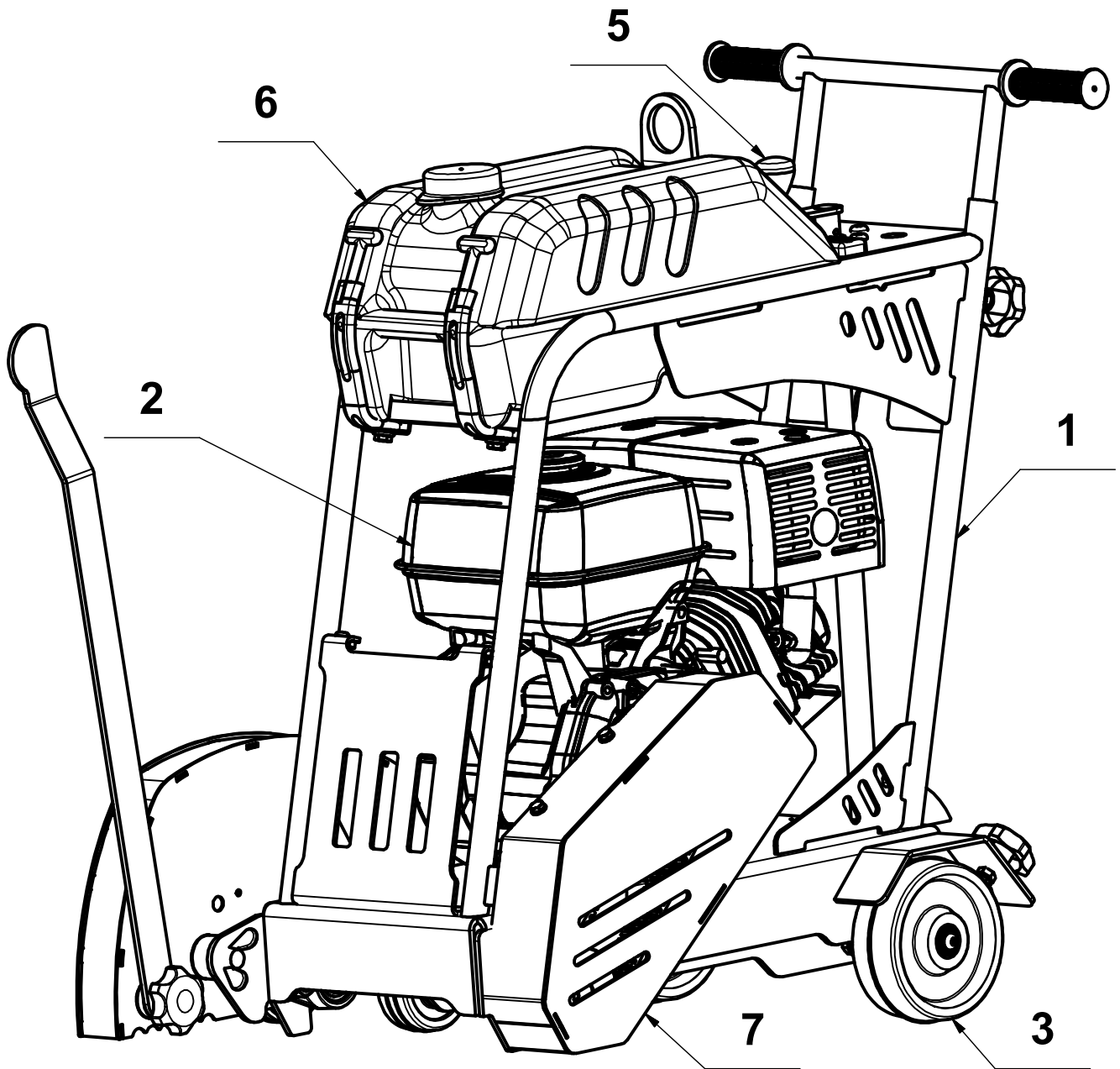


Instruction for ordering spare parts: The company NTC STAVEBNÍ TECHNIKA spol. s r.o. continuously improve their products on the basic of experience gained in the course of operation and of the up-to-date knowledge. They reserve, therefore, the right of modifications the machine as well as the respektive documentation.

Spare parts for machines made valid after 1.11. 2015

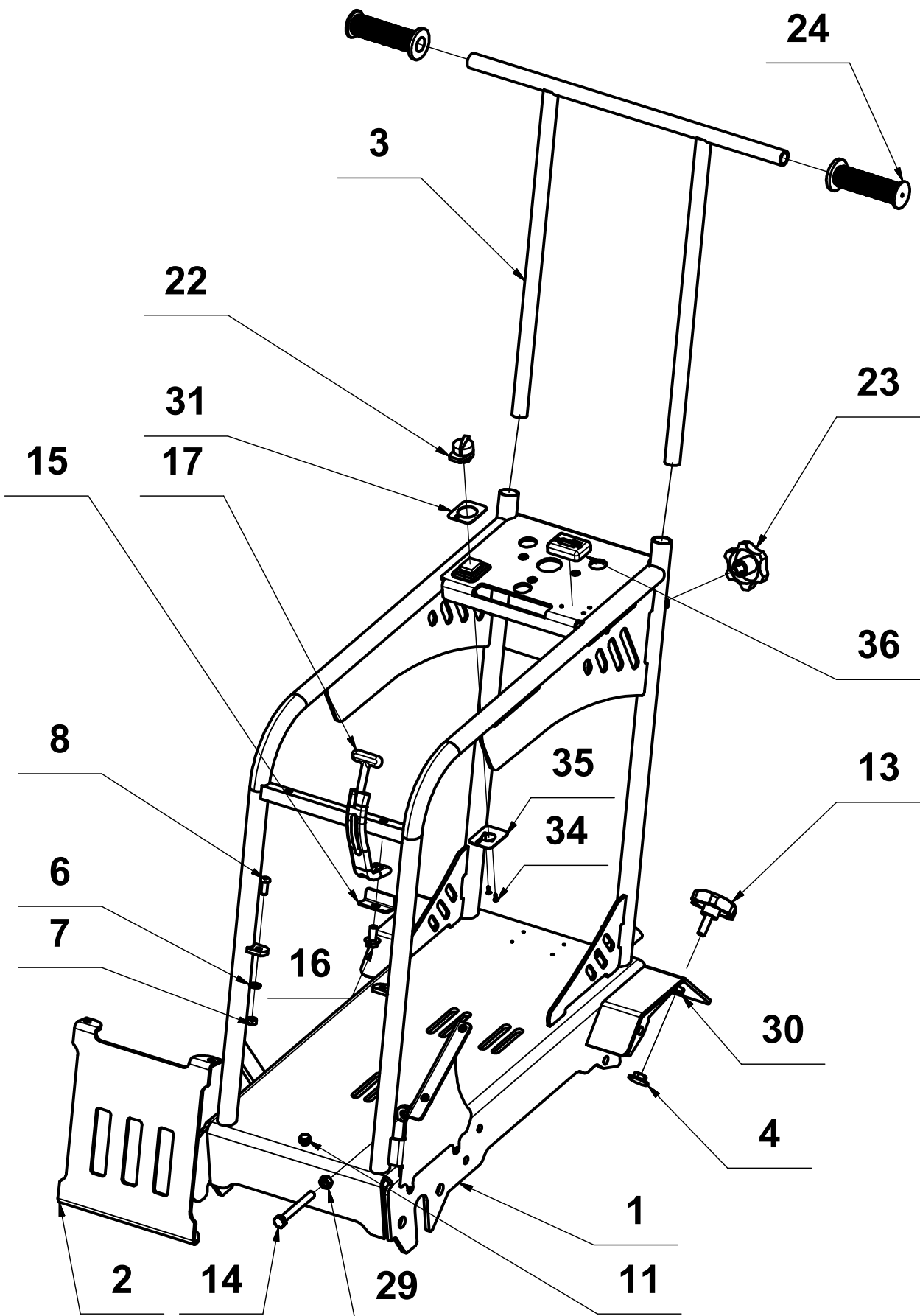
Part Name:
CONCRETE CUTTER

Drawing number RZ120 -
20383A, 20391A, 20394A RZ170 -
20376A, 20392A, 20395A RZ200 -
20364A, 20393A, 20396A



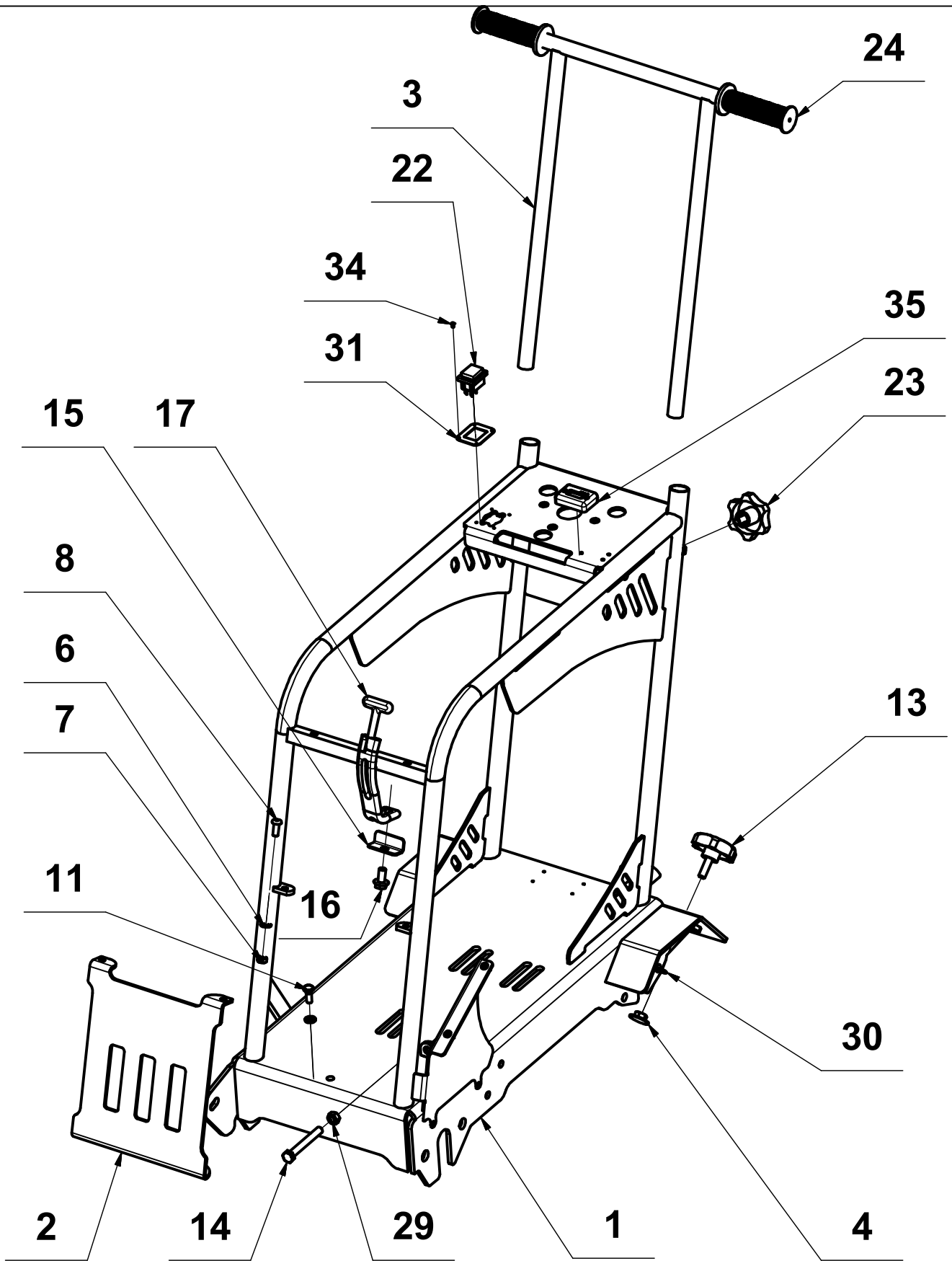
POZ.	NAME
1	FRAME
2	DRIVE
3	UNDERCARRIAGE
5	CONTROL
6	COOLING
7	BELT COVER
8	ACCESORIES

Machine Type: RZ120, RZ120B, RZ120S, RZ170, RZ170B, RZ170S, RZ200, RZ200B, RZ200S



SPARE PARTS CATALOGUE

	Part Name:		
	FRAME WITH HANDLEBARS		20371A
Position	Part Number	Part Name	Piesed used Hmotnost/Weight
1	20372A	FRAME	1
2	31988A	FRONT COVER	1
3	31980A	HANDLEBARS	1
4	42318A	BRAKE PADS	1
6	2125000084	WASHER	3
7	2934000008	NUT	2
8	2738008020	BOLT	2
11	2933008020	BOLT	1
13	4260000211	BOLT	1
14	2931010080	BOLT	1
15	42281A	HOLDER	2
16	2738010020	BOLT	2
17	4200785018	TENSIONER	2
19	42284A	SWITCH BRACKET	1
22	31260713906	SWITCH	1
23	4260000212	BOLT	2
24	4014014013	HANDLE	2
Machine Type: RZ120, RZ170, RZ200			

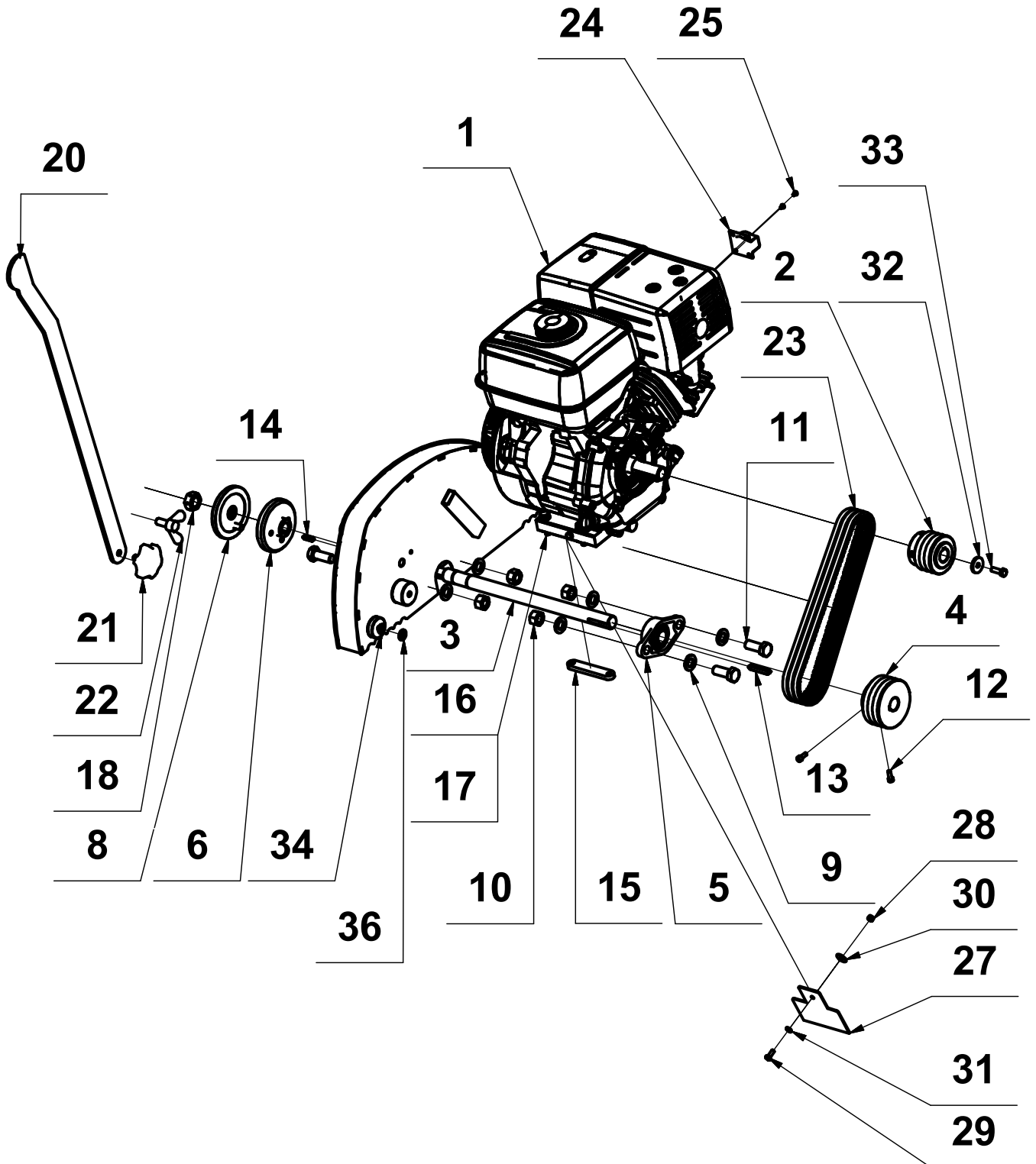


SPARE PARTS CATALOGUE

Position	Part Number	Part Name	Piesed used
Part Name: FRAME WITH HANDLEBARS			20414A
1	20372A	FRAME	1
2	31988A	FRONT COVER	1
3	31980A	HANDLEBARS	1
4	42318A	BRAKE PADS	1
6	2125000084	WASHER	3
7	2934000008	NUT	2
8	2738008020	BOLT	2
11	2933008020	BOLT	1
13	4260000211	BOLT	1
14	2931010080	BOLT	1
15	42281A	TENSIONER HOLDER	2
16	2738010020	BOLT	2
17	4200785018	TENSIONER	2
19	42284A	SWITCH BRACKET	1
22	6000000035	SWITCH	1
23	4260000212	BOLT	2
24	4014014013	HANDLE	2
Machine Type: RZ120B, RZ120S, RZ170, RZ170B, RZ170S, RZ200, RZ200B, RZ200S			

Part Name:
DRIVE

Drawing number RZ120 -
20378A RZ170 - 20377A
RZ200 - 20379A



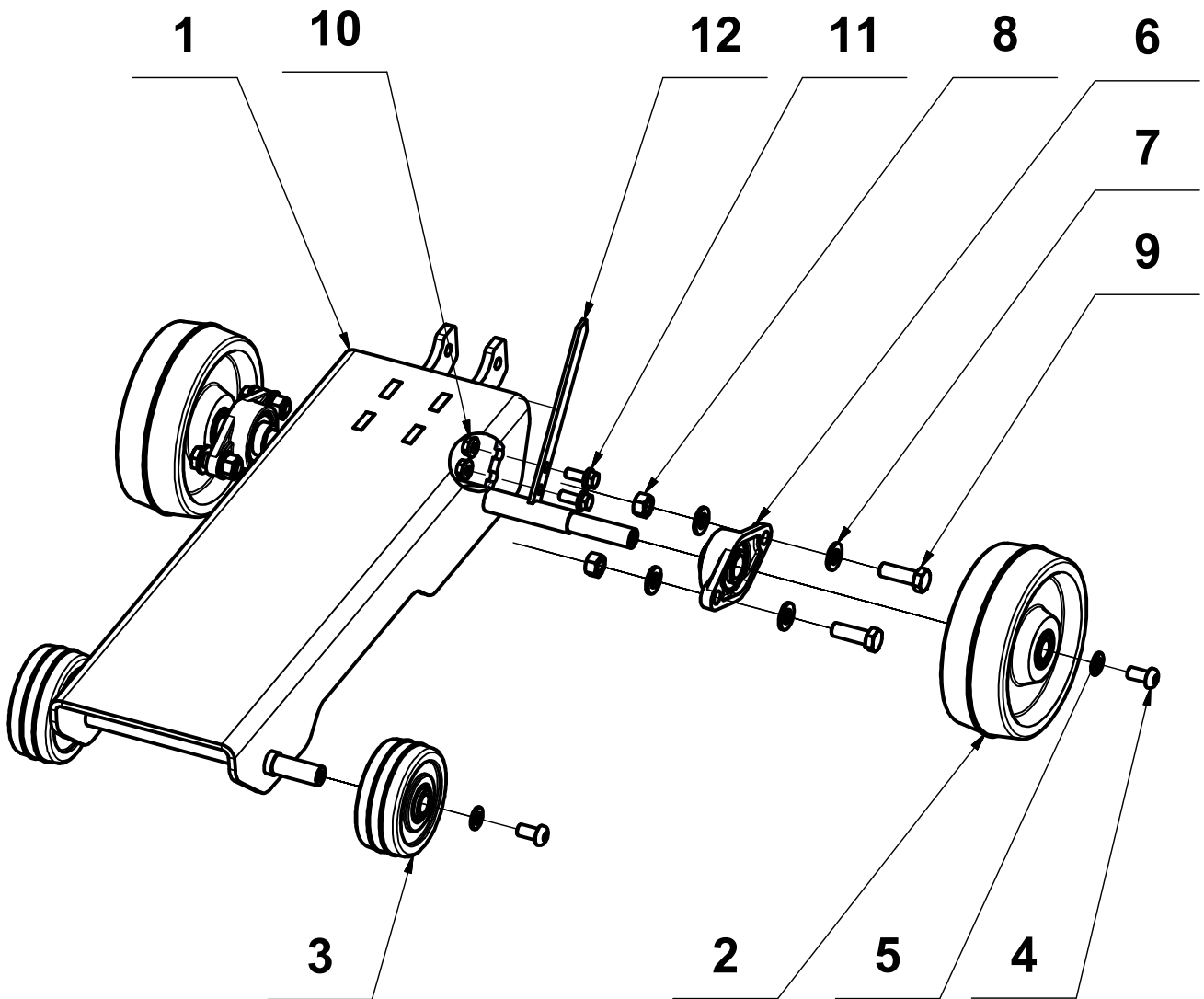
KATALOG NÁHRADNÍCH DÍLŮ / SPARE PARTS CATALOGUE

Part Name:		20377A, 20378A, 20379A 20398A, 20399A, 20400A 20401A, 20402A, 20403A		
DRIVE				
Position	Part Number	Part Name	Pieces used	
1	3120010032	ENGINE	1	RZ120
	3120010111			RZ120B
	3120010106			RZ120S
	3120010053	ENGINE		RZ170
	3120010112			RZ170B
	3120010105			RZ170S
	3120010053	ENGINE	1	RZ200
	3120010112			RZ200B
	3120010105			RZ200S
2	42086A	PULLEY	1	RZ120+B+S
	40162E			RZ170+B+S
	42144A			RZ20+B+S0
3	31735A	BLADESHAFT	1	
4	41902A	PULLEY	1	
5	311000208	BEARING	2	
6	31658A	DISC FLANGE I	1	
8	42026A	DISC FLANGE II	1	
9	2125000170	WASHER	8	
10	2934000016	NUT	4	
11	2933016045	BOLT	4	
12	2912006016/2	BOLT	4	
13	2256288750	KAY	1	
14	2256286625	KAY	1	
15	42093A	THREADED BAR	2	
16	2912010040	BOLT	4	
17	2125000105	WASHER	4	
18	42028A	DISC NUT	1	
19	32123A	BLADEGUARD	1	RZ120+B+S
				RZ170+B+S
				RZ200+B+S
20	41167A	ARM	1	
21	4260000212	BOLT	1	
Machine Type: RZ120,RZ120B, RZ120S, RZ170, RZ170B, RZ170S, RZ200, RZ200B, RZ200S				

Part Name:

Drawing number 31971A

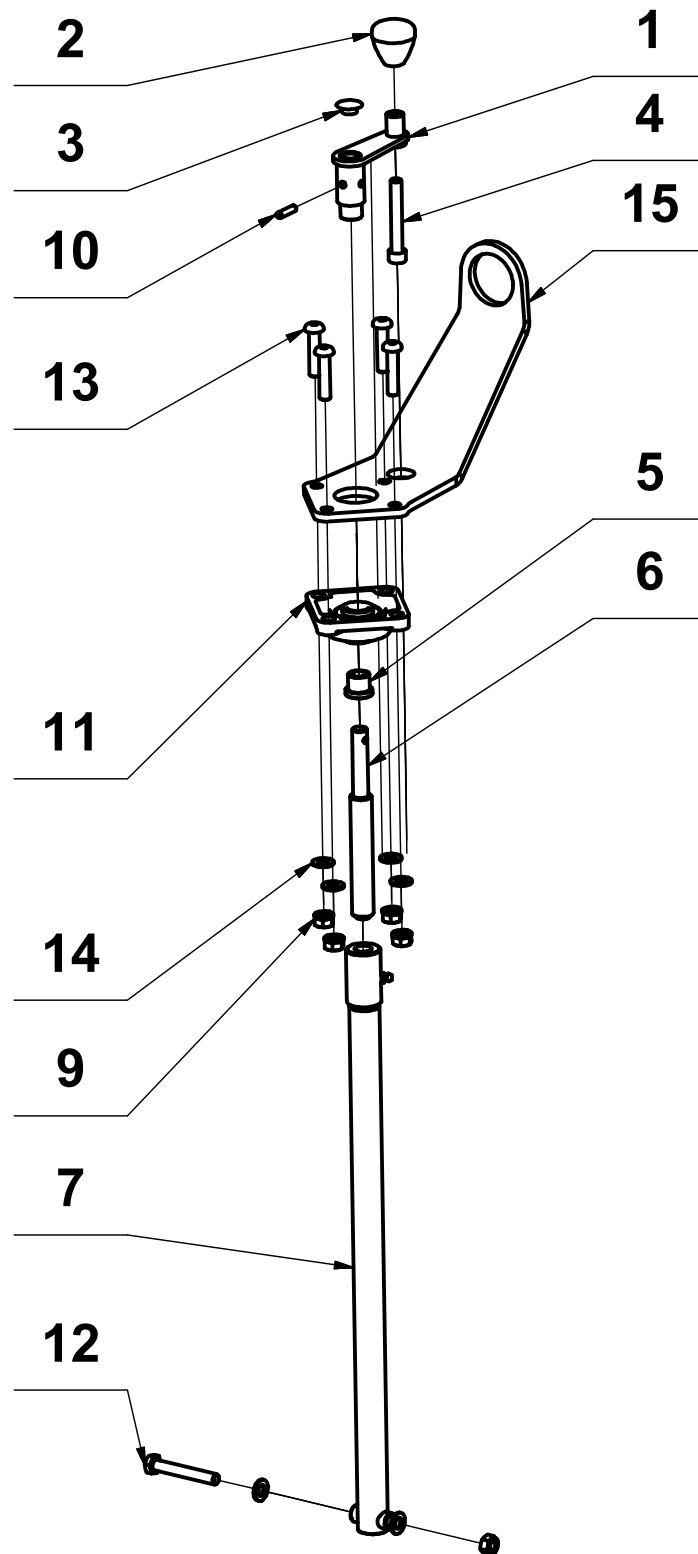
UNDERCARRIAGE



Part Name:
CONTROL

Drawing
31998A

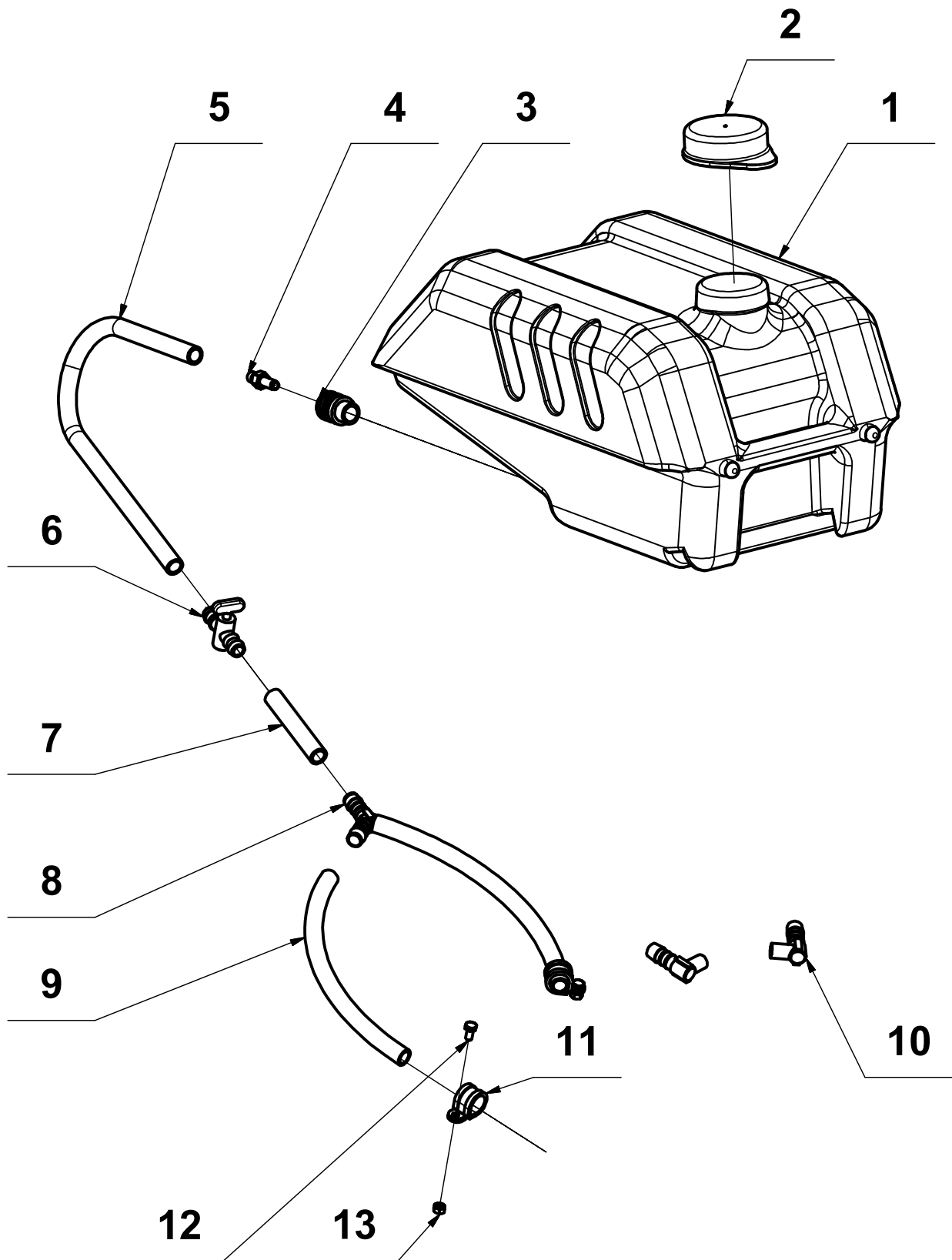
number



Part Name:
COOLING

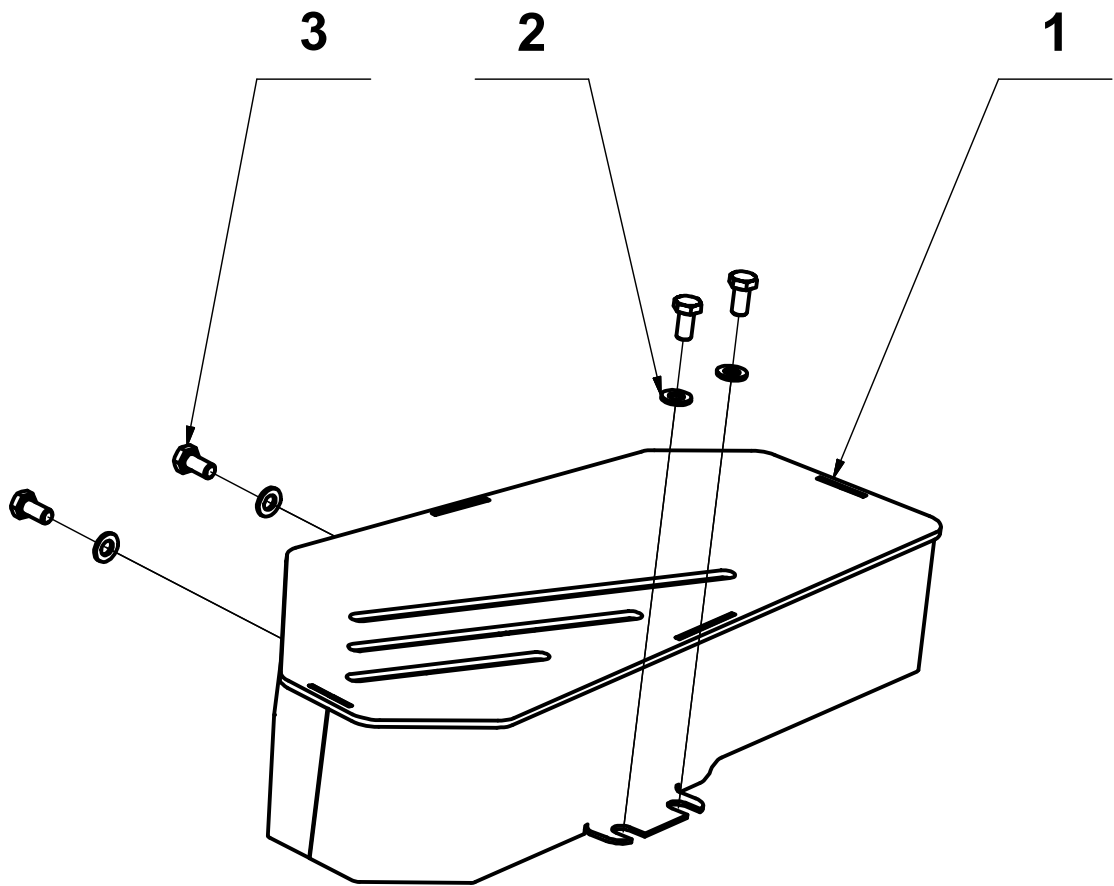
Drawing
32000A

number



Part Name:
BELT COVER

Drawing number **32026A**



Part Name:
ACCESORIES

Drawing number **32042A**

