



- AT
- CH
- DE
- ES
- FR
- IT
- NL
- PL
- SI

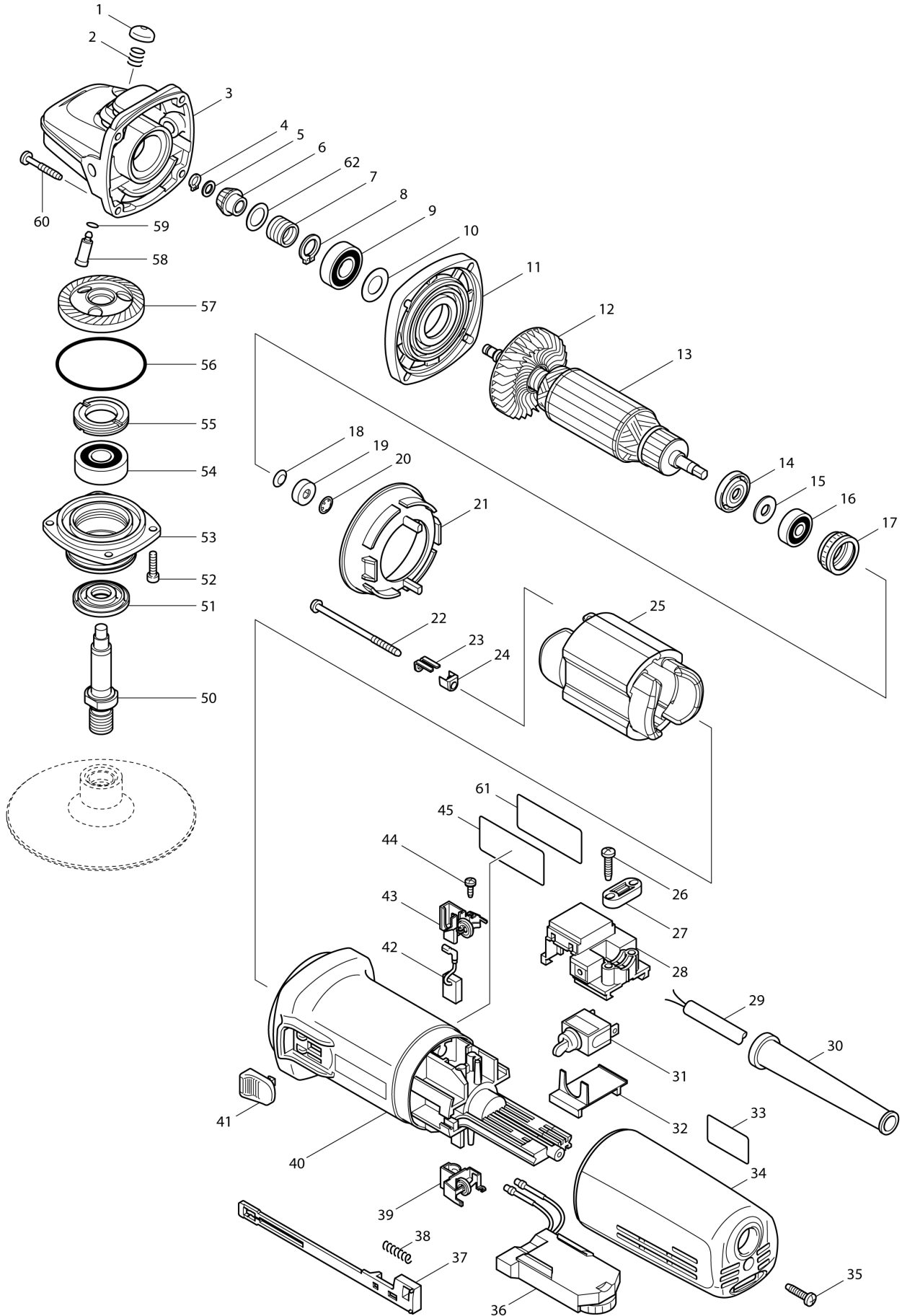
# Diagram / Parts List

**9565CLR**

**125MM ANGLE GRINDER**



(AT) 9565CLR / 125MM ANGLE GRINDER



AT

AUSTRIA

## 9565CLR / 125MM ANGLE GRINDER

AT

Item	Sub	Parts No.	Parts Description	Qty	I/C	E/C No.	Close No.	Remark
001		418067-8	PIN CAP	1				
002		233072-2	COMPRESSION SPRING 8	1				
003		153488-4	GEAR HOUSING COMPLETE	1				
004		961008-8	RETAINING RING S-5	1				
005		267034-8	FLAT WASHER 5	1				
006		226796-7	SPIRAL BEVEL GEAR 7	1				
007		233901-9	LOCK SPRING 12	1				
008		961052-5	RETAINING RING S-12	1				
009		211142-7	BALL BEARING 6001LLB	1				
010		253084-9	FLAT WASHER 12	1				
011		317359-1	GEAR HOUSING COVER	1				
012		240033-5	FAN 57	1				
013		515238-9	ARMATURE ASS'Y 220-240V	1				
	D10		INC. 12,14-16					
014		681656-4	INSULATION WASHER	1				
015		253823-7	FLAT WASHER 7	1				
016		210027-4	BALL BEARING 627DDW	1				
017		421738-8	LABYRINTH RUBBER RING 22	1				
018		267756-0	WAVE WASHER 6	1				
019		688117-5	MAGNET SLEEVE	1				
020		259039-2	SELF LOCK 6	1				
021		413076-2	BAFFLE PLATE	1				
022		266258-3	TAPPING SCREW 4X70	2				
023		344871-8	RETAINER	2				
024		417237-6	INSULATION COVER	2				
025		626503-2	FIELD 220-240V	1				
026		265995-6	TAPPING SCREW 4X18	2				
027		687052-4	STRAIN RELIEF	1			Z20023	
027-1		687124-5	STRAIN RELIEF	1	O	Z20023		
028		638635-3	SWITCH BLOCK	1				
029		665394-6	POWER SUPPLY CORD 1.0-2-2.5	1				
030		682559-5	CORD GUARD 8	1				
031		651418-4	SWITCH ST115A-40	1				
032		687113-0	COVER	1				
033		816799-5	INDICATION LABEL	1			86517	
033-1		816505-8	INDICATION LABEL	1	X	86517		
034		417185-9	REAR COVER	1				
035		265995-6	TAPPING SCREW 4X18	1				
036		631847-7	CONTROLLER	1				
037		417186-7	SWITCH LEVER	1				
038		233071-4	COMPRESSION SPRING 4	1				
039		643760-7	BRUSH HOLDER	1				
040		418512-3	MOTOR HOUSING	1			85997	
040-1		451278-2	MOTOR HOUSING	1	<	85997	92057	
040-2		453276-2	MOTOR HOUSING	1	<	92057		
041		417813-6	SWITCH KNOB	1				
042		191978-9	A.C. CARBON BRUSH CB-318	1				
043		643760-7	BRUSH HOLDER	1				
044		266256-7	TAPPING SCREW PT3X10	4				
045		866170-3	9565CLR NAME PLATE	1			A1200	
045-1		866170-3	9565CLR NAME PLATE	1	<	A1200		
050		324035-0	SPINDLE	1				
051		415300-9	LABYRINTH RING	1				
052		265490-6	HEX. SOCKET HEAD BOLT M4X16	4				
053		318302-3	BEARING BOX	1			85997	
053-1		318334-0	BEARING BOX	1	S	85997		
054		211129-9	BALL BEARING 6201DDW	1				
055		285841-7	BEARING RETAINER	1				
056		213673-2	O RING 52	1				
057		226797-5	SPIRAL BEVEL GEAR 37	1				
058		256459-1	PIN	1				
059		213048-5	O RING 6	1				
060		266257-5	TAPPING SCREW 4X28	4				
061		819329-1	CLEAR LABEL	1			A5635	
061-1		805W65-3	CLEAR LABEL	1	O	A5635	C4842	

Interchange

O : Yes

X : No

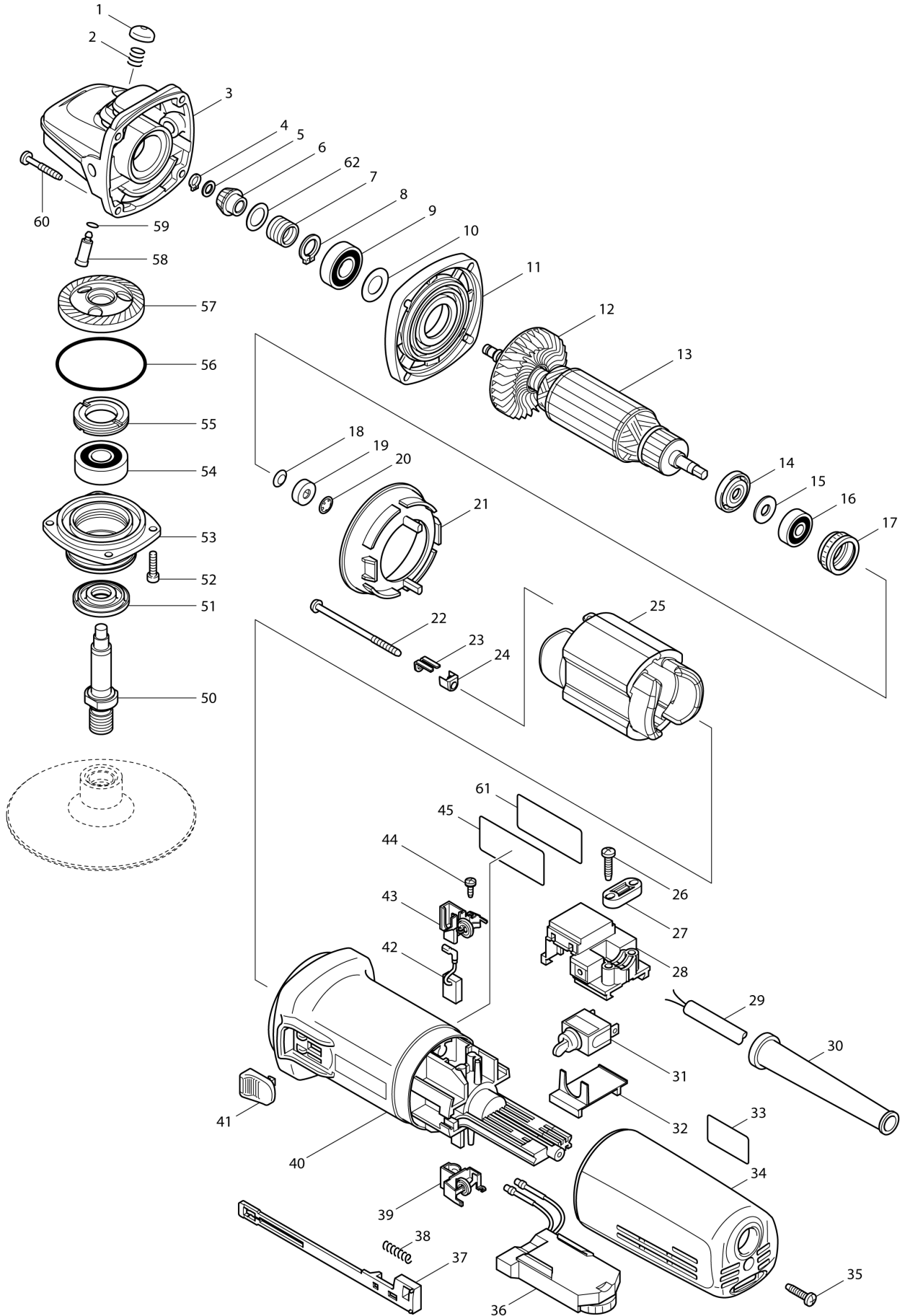
&lt; : the new part can be substituted for the current.

&gt; : the current part can be substituted for the new.

S : Interchangeable as a set.



(CH) 9565CLR / 125MM ANGLE GRINDER



<b>CH</b>	<b>SWITZERLAND</b>
-----------	--------------------

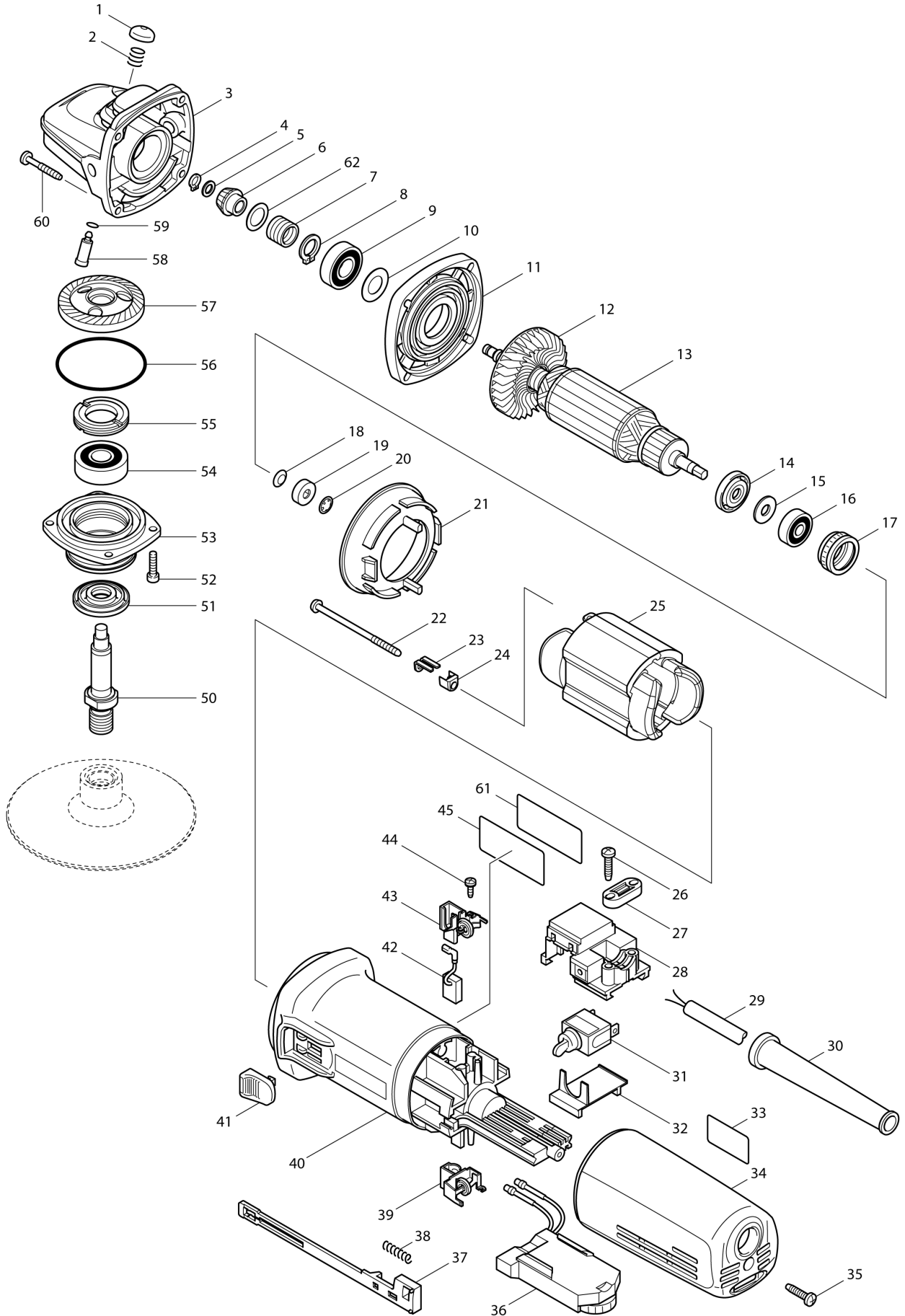
### 9565CLR / 125MM ANGLE GRINDER

Item	Sub	Parts No.	Parts Description	Qty	I/C	E/C No.	Close No.	Remark
001		418067-8	PIN CAP	1				
002		233072-2	COMPRESSION SPRING 8	1				
003		153488-4	GEAR HOUSING COMPLETE	1				
004		961008-8	RETAINING RING S-5	1				
005		267034-8	FLAT WASHER 5	1				
006		226796-7	SPIRAL BEVEL GEAR 7	1				
007		233901-9	LOCK SPRING 12	1				
008		961052-5	RETAINING RING S-12	1				
009		211142-7	BALL BEARING 6001LLB	1				
010		253084-9	FLAT WASHER 12	1				
011		317359-1	GEAR HOUSING COVER	1				
012		240033-5	FAN 57	1				
013		515238-9	ARMATURE ASS'Y 220-240V	1				
	D10		INC. 12,14-16					
014		681656-4	INSULATION WASHER	1				
015		253823-7	FLAT WASHER 7	1				
016		210027-4	BALL BEARING 627DDW	1				
017		421738-8	LABYRINTH RUBBER RING 22	1				
018		267756-0	WAVE WASHER 6	1				
019		688117-5	MAGNET SLEEVE	1				
020		259039-2	SELF LOCK 6	1				
021		413076-2	BAFFLE PLATE	1				
022		266258-3	TAPPING SCREW 4X70	2				
023		344871-8	RETAINER	2				
024		417237-6	INSULATION COVER	2				
025		626503-2	FIELD 220-240V	1				
026		265995-6	TAPPING SCREW 4X18	2				
027		687052-4	STRAIN RELIEF	1				
028		638635-3	SWITCH BLOCK	1				
029		695268-7	POWER SUPPLY CORD 1.0-2-2.5	1				
030		682566-8	CORD GUARD 10	1				
031		651418-4	SWITCH ST115A-40	1				
032		687113-0	COVER	1				
033-1		816505-8	INDICATION LABEL	1				
034		417185-9	REAR COVER	1				
035		265995-6	TAPPING SCREW 4X18	1				
036		631847-7	CONTROLLER	1				
037		417186-7	SWITCH LEVER	1				
038		233071-4	COMPRESSION SPRING 4	1				
039		643760-7	BRUSH HOLDER	1				
040-1		451278-2	MOTOR HOUSING	1			92057	
040-2		453276-2	MOTOR HOUSING	1	<	92057		
041		417813-6	SWITCH KNOB	1				
042		191978-9	A.C. CARBON BRUSH CB-318	1				
043		643760-7	BRUSH HOLDER	1				
044		266256-7	TAPPING SCREW PT3X10	4				
045		866170-3	9565CLR NAME PLATE	1			A1200	
045-1		866170-3	9565CLR NAME PLATE	1	<	A1200		
050		324035-0	SPINDLE	1				
051		415300-9	LABYRINTH RING	1				
052		265490-6	HEX. SOCKET HEAD BOLT M4X16	4				
053-1		318334-0	BEARING BOX	1				
054		211129-9	BALL BEARING 6201DDW	1				
055		285841-7	BEARING RETAINER	1				
056		213673-2	O RING 52	1				
057		226797-5	SPIRAL BEVEL GEAR 37	1				
058		256459-1	PIN	1				
059		213048-5	O RING 6	1				
060		266257-5	TAPPING SCREW 4X28	4				
061		819329-1	CLEAR LABEL	1				
062		253052-2	FLAT WASHER 12	1				
A01		153489-2	GRIP 36 COMPLETE	1				
A02-1		122887-1	WHEEL COVER 125K ASSY	1			99850	
	C10	213009-5	O RING 4	1			99850	
	C20	265180-1	PAN HEAD SCREW M5X16	1			99850	

Interchange  
O : Yes  
X : No  
< : the new part can be substituted for the current.  
> : the current part can be substituted for the new.  
S : Interchangeable as a set.



(DE) 9565CLR / 125MM ANGLE GRINDER



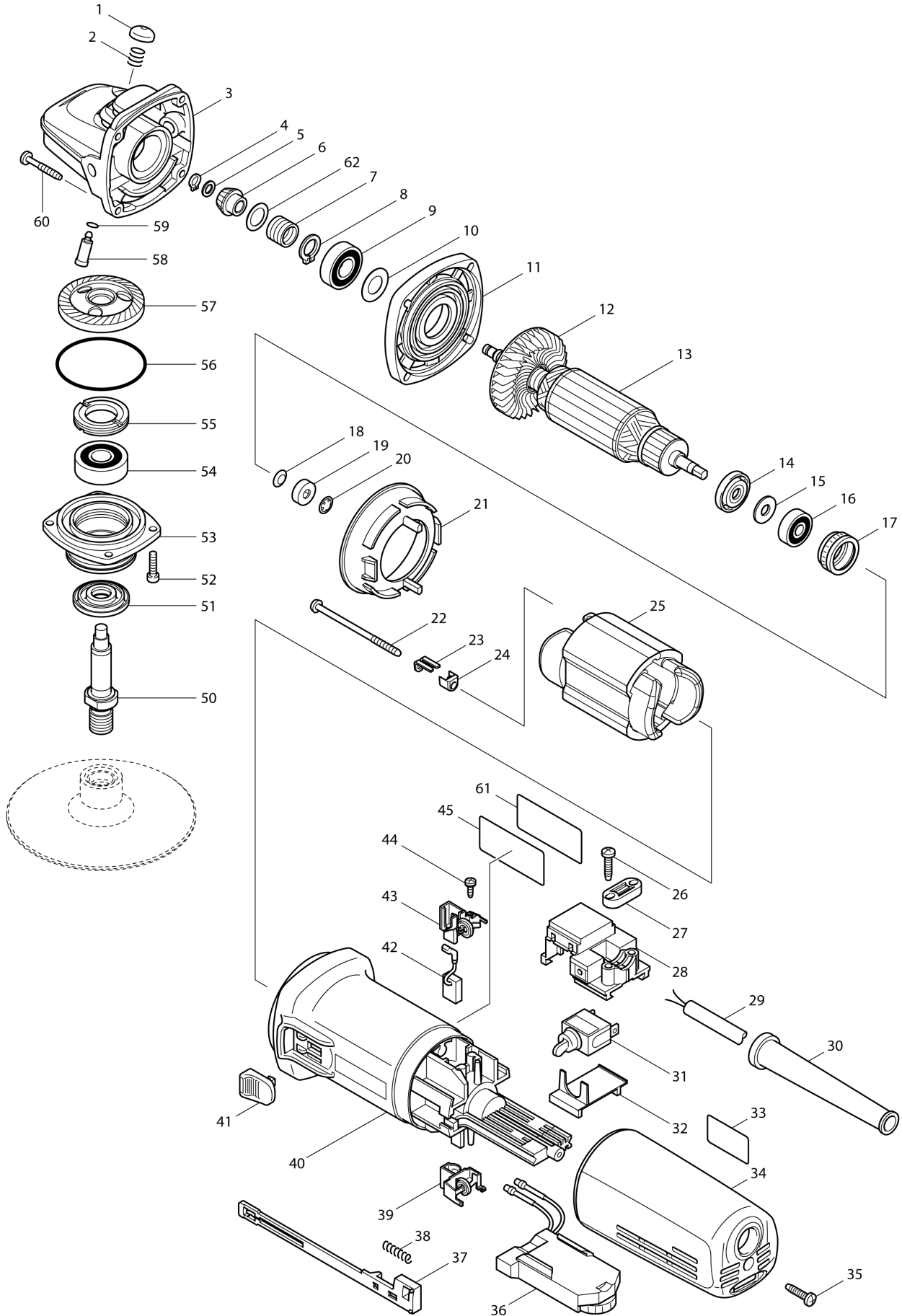
### 9565CLR / 125MM ANGLE GRINDER

Item	Sub	Parts No.	Parts Description	Qty	I/C	E/C No.	Close No.	Remark
001		418067-8	PIN CAP	1				
002		233072-2	COMPRESSION SPRING 8	1				
003		153488-4	GEAR HOUSING COMPLETE	1				
004		961008-8	RETAINING RING S-5	1				
005		267034-8	FLAT WASHER 5	1				
006		226796-7	SPIRAL BEVEL GEAR 7	1				
007		233901-9	LOCK SPRING 12	1				
008		961052-5	RETAINING RING S-12	1				
009		211142-7	BALL BEARING 6001LLB	1				
010		253084-9	FLAT WASHER 12	1				
011		317359-1	GEAR HOUSING COVER	1				
012		240033-5	FAN 57	1				
013		515238-9	ARMATURE ASS'Y 220-240V	1				
	D10		INC. 12,14-16					
014		681656-4	INSULATION WASHER	1				
015		253823-7	FLAT WASHER 7	1				
016		210027-4	BALL BEARING 627DDW	1				
017		421738-8	LABYRINTH RUBBER RING 22	1				
018		267756-0	WAVE WASHER 6	1				
019		688117-5	MAGNET SLEEVE	1				
020		259039-2	SELF LOCK 6	1				
021		413076-2	BAFFLE PLATE	1				
022		266258-3	TAPPING SCREW 4X70	2				
023		344871-8	RETAINER	2				
024		417237-6	INSULATION COVER	2				
025		626503-2	FIELD 220-240V	1				
026		265995-6	TAPPING SCREW 4X18	2				
027		687052-4	STRAIN RELIEF	1			Z17208	
027-1		687124-5	STRAIN RELIEF	1	O	Z17208		
028		638635-3	SWITCH BLOCK	1				
029		665394-6	POWER SUPPLY CORD 1.0-2-2.5	1				
030		682559-5	CORD GUARD 8	1				
031		651418-4	SWITCH ST115A-40	1				
032		687113-0	COVER	1				
033		816799-5	INDICATION LABEL	1			86517	
033-1		816505-8	INDICATION LABEL	1	X	86517		
034		417185-9	REAR COVER	1				
035		265995-6	TAPPING SCREW 4X18	1				
036		631847-7	CONTROLLER	1				
037		417186-7	SWITCH LEVER	1				
038		233071-4	COMPRESSION SPRING 4	1				
039		643760-7	BRUSH HOLDER	1				
040		418512-3	MOTOR HOUSING	1			85997	
040-1		451278-2	MOTOR HOUSING	1	<	85997	92057	
040-2		453276-2	MOTOR HOUSING	1	<	92057		
041		417813-6	SWITCH KNOB	1				
042		191978-9	A.C. CARBON BRUSH CB-318	1				
043		643760-7	BRUSH HOLDER	1				
044		266256-7	TAPPING SCREW PT3X10	4				
045		866170-3	9565CLR NAME PLATE	1			A1200	
045-1		866170-3	9565CLR NAME PLATE	1	<	A1200		
050		324035-0	SPINDLE	1				
051		415300-9	LABYRINTH RING	1				
052		265490-6	HEX. SOCKET HEAD BOLT M4X16	4				
053		318302-3	BEARING BOX	1			85997	
053-1		318334-0	BEARING BOX	1	S	85997		
054		211129-9	BALL BEARING 6201DDW	1				
055		285841-7	BEARING RETAINER	1				
056		213673-2	O RING 52	1				
057		226797-5	SPIRAL BEVEL GEAR 37	1				
058		256459-1	PIN	1				
059		213048-5	O RING 6	1				
060		266257-5	TAPPING SCREW 4X28	4				
061		819329-1	CLEAR LABEL	1			A5635	
061-1		805W65-3	CLEAR LABEL	1	O	A5635	C4842	

Interchange  
O : Yes  
X : No  
< : the new part can be substituted for the current.  
> : the current part can be substituted for the new.  
S : Interchangeable as a set.



(ES) 9565CLR / 125MM ANGLE GRINDER



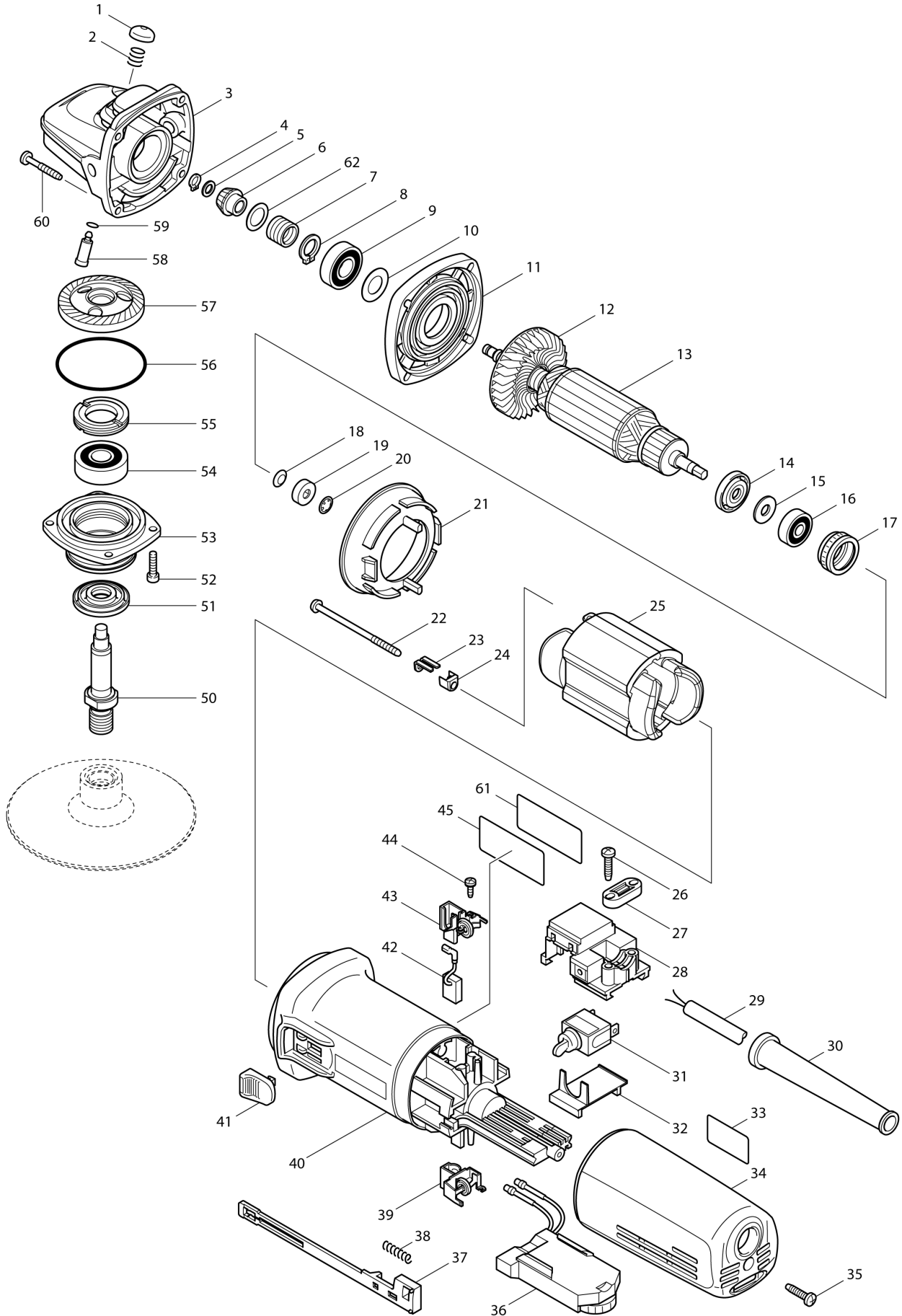
### 9565CLR / 125MM ANGLE GRINDER

Item	Sub	Parts No.	Parts Description	Qty	I/C	E/C No.	Close No.	Remark
001		418067-8	PIN CAP	1				
002		233072-2	COMPRESSION SPRING 8	1				
003		153488-4	GEAR HOUSING COMPLETE	1				
004		961008-8	RETAINING RING S-5	1				
005		267034-8	FLAT WASHER 5	1				
006		226796-7	SPIRAL BEVEL GEAR 7	1				
007		233901-9	LOCK SPRING 12	1				
008		961052-5	RETAINING RING S-12	1				
009		211142-7	BALL BEARING 6001LLB	1				
010		253084-9	FLAT WASHER 12	1				
011		317359-1	GEAR HOUSING COVER	1				
012		240033-5	FAN 57	1				
013		515238-9	ARMATURE ASS'Y 220-240V	1				
	D10		INC. 12,14-16					
014		681656-4	INSULATION WASHER	1				
015		253823-7	FLAT WASHER 7	1				
016		210027-4	BALL BEARING 627DDW	1				
017		421738-8	LABYRINTH RUBBER RING 22	1				
018		267756-0	WAVE WASHER 6	1				
019		688117-5	MAGNET SLEEVE	1				
020		259039-2	SELF LOCK 6	1				
021		413076-2	BAFFLE PLATE	1				
022		266258-3	TAPPING SCREW 4X70	2				
023		344871-8	RETAINER	2				
024		417237-6	INSULATION COVER	2				
025		626503-2	FIELD 220-240V	1				
026		265995-6	TAPPING SCREW 4X18	2				
027		687052-4	STRAIN RELIEF	1				
028		638635-3	SWITCH BLOCK	1				
029		665394-6	POWER SUPPLY CORD 1.0-2-2.5	1				
030		682559-5	CORD GUARD 8	1				
031		651418-4	SWITCH ST115A-40	1				
032		687113-0	COVER	1				
033		816799-5	INDICATION LABEL	1			86517	
033-1		816505-8	INDICATION LABEL	1	X	86517		
034		417185-9	REAR COVER	1				
035		265995-6	TAPPING SCREW 4X18	1				
036		631847-7	CONTROLLER	1				
037		417186-7	SWITCH LEVER	1				
038		233071-4	COMPRESSION SPRING 4	1				
039		643760-7	BRUSH HOLDER	1				
040		418512-3	MOTOR HOUSING	1			85997	
040-1		451278-2	MOTOR HOUSING	1	<	85997	92057	
040-2		453276-2	MOTOR HOUSING	1	<	92057		
041		417813-6	SWITCH KNOB	1				
042		191978-9	A.C. CARBON BRUSH CB-318	1				
043		643760-7	BRUSH HOLDER	1				
044		266256-7	TAPPING SCREW PT3X10	4				
045		866170-3	9565CLR NAME PLATE	1			A1200	
045-1		866170-3	9565CLR NAME PLATE	1	<	A1200		
050		324035-0	SPINDLE	1				
051		415300-9	LABYRINTH RING	1				
052		265490-6	HEX. SOCKET HEAD BOLT M4X16	4				
053		318302-3	BEARING BOX	1			85997	
053-1		318334-0	BEARING BOX	1	S	85997		
054		211129-9	BALL BEARING 6201DDW	1				
055		285841-7	BEARING RETAINER	1				
056		213673-2	O RING 52	1				
057		226797-5	SPIRAL BEVEL GEAR 37	1				
058		256459-1	PIN	1				
059		213048-5	O RING 6	1				
060		266257-5	TAPPING SCREW 4X28	4				
061		819329-1	CLEAR LABEL	1				
062		253052-2	FLAT WASHER 12	1				
A01		153489-2	GRIP 36 COMPLETE	1				

Interchange  
O : Yes  
X : No  
< : the new part can be substituted for the current.  
> : the current part can be substituted for the new.  
S : Interchangeable as a set.



(FR) 9565CLR / 125MM ANGLE GRINDER



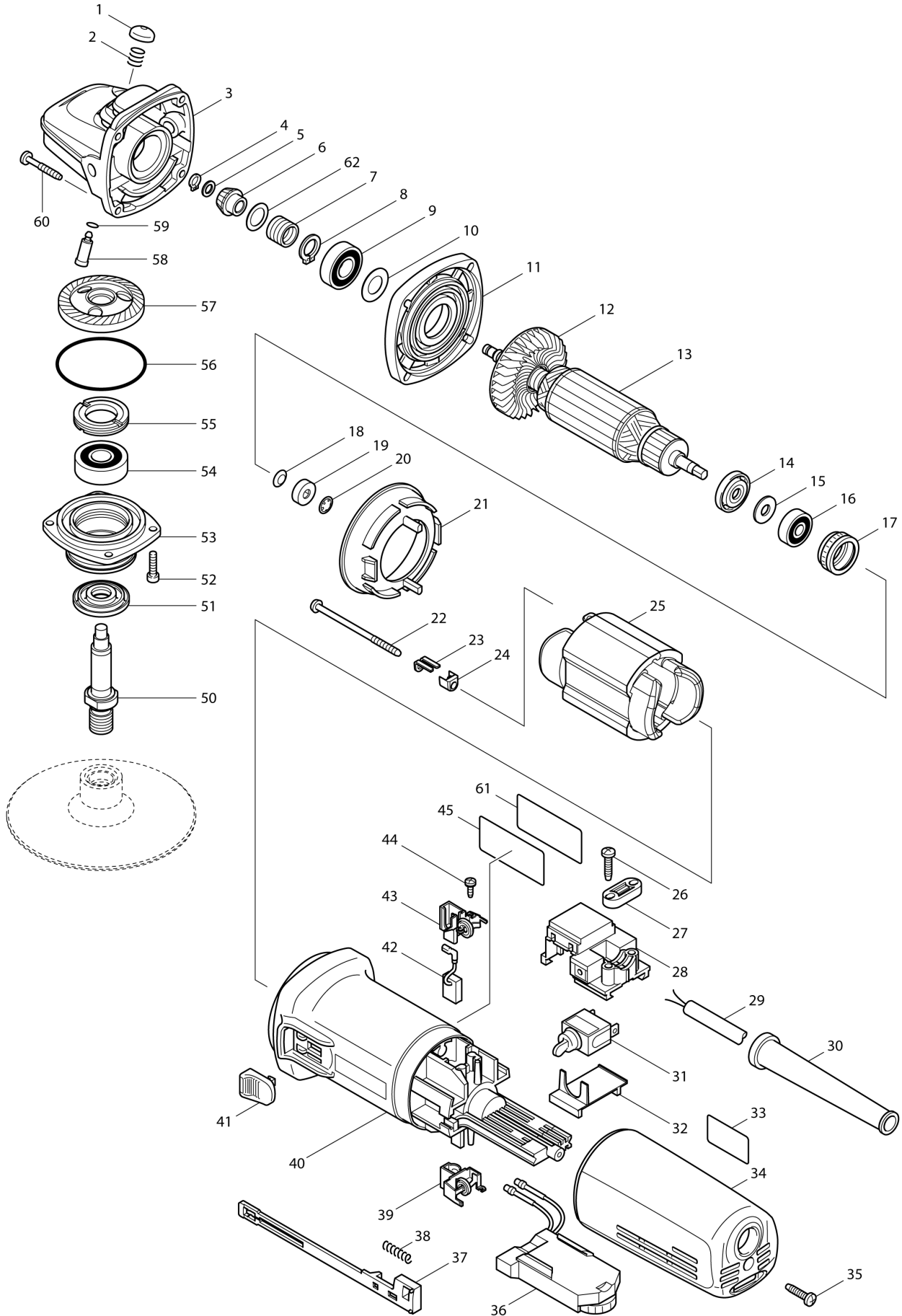
## 9565CLR / 125MM ANGLE GRINDER

Item	Sub	Parts No.	Parts Description	Qty	I/C	E/C No.	Close No.	Remark
001		418067-8	PIN CAP	1				
002		233072-2	COMPRESSION SPRING 8	1				
003		153488-4	GEAR HOUSING COMPLETE	1				
004		961008-8	RETAINING RING S-5	1				
005		267034-8	FLAT WASHER 5	1				
006		226796-7	SPIRAL BEVEL GEAR 7	1				
007		233901-9	LOCK SPRING 12	1				
008		961052-5	RETAINING RING S-12	1				
009		211142-7	BALL BEARING 6001LLB	1				
010		253084-9	FLAT WASHER 12	1				
011		317359-1	GEAR HOUSING COVER	1				
012		240033-5	FAN 57	1				
013		515238-9	ARMATURE ASS'Y 220-240V	1				
	D10		INC. 12,14-16					
014		681656-4	INSULATION WASHER	1				
015		253823-7	FLAT WASHER 7	1				
016		210027-4	BALL BEARING 627DDW	1				
017		421738-8	LABYRINTH RUBBER RING 22	1				
018		267756-0	WAVE WASHER 6	1				
019		688117-5	MAGNET SLEEVE	1				
020		259039-2	SELF LOCK 6	1				
021		413076-2	BAFFLE PLATE	1				
022		266258-3	TAPPING SCREW 4X70	2				
023		344871-8	RETAINER	2				
024		417237-6	INSULATION COVER	2				
025		626503-2	FIELD 220-240V	1				
026		265995-6	TAPPING SCREW 4X18	2				
027		687052-4	STRAIN RELIEF	1			Z20023	
027-1		687124-5	STRAIN RELIEF	1	O	Z20023		
028		638635-3	SWITCH BLOCK	1				
029		665394-6	POWER SUPPLY CORD 1.0-2-2.5	1				
030		682559-5	CORD GUARD 8	1				
031		651418-4	SWITCH ST115A-40	1				
032		687113-0	COVER	1				
033		816799-5	INDICATION LABEL	1			86517	
033-1		816505-8	INDICATION LABEL	1	X	86517		
034		417185-9	REAR COVER	1				
035		265995-6	TAPPING SCREW 4X18	1				
036		631847-7	CONTROLLER	1				
037		417186-7	SWITCH LEVER	1				
038		233071-4	COMPRESSION SPRING 4	1				
039		643760-7	BRUSH HOLDER	1				
040		418512-3	MOTOR HOUSING	1			85997	
040-1		451278-2	MOTOR HOUSING	1	<	85997	92057	
040-2		453276-2	MOTOR HOUSING	1	<	92057		
041		417813-6	SWITCH KNOB	1				
042		191978-9	A.C. CARBON BRUSH CB-318	1				
043		643760-7	BRUSH HOLDER	1				
044		266256-7	TAPPING SCREW PT3X10	4				
045		866170-3	9565CLR NAME PLATE	1			A1200	
045-1		866170-3	9565CLR NAME PLATE	1	<	A1200		
050		324035-0	SPINDLE	1				
051		415300-9	LABYRINTH RING	1				
052		265490-6	HEX. SOCKET HEAD BOLT M4X16	4				
053		318302-3	BEARING BOX	1			85997	
053-1		318334-0	BEARING BOX	1	S	85997		
054		211129-9	BALL BEARING 6201DDW	1				
055		285841-7	BEARING RETAINER	1				
056		213673-2	O RING 52	1				
057		226797-5	SPIRAL BEVEL GEAR 37	1				
058		256459-1	PIN	1				
059		213048-5	O RING 6	1				
060		266257-5	TAPPING SCREW 4X28	4				
061		819329-1	CLEAR LABEL	1			A5635	
061-1		805W65-3	CLEAR LABEL	1	O	A5635	C4842	

Interchange  
O : Yes  
X : No  
< : the new part can be substituted for the current.  
> : the current part can be substituted for the new.  
S : Interchangeable as a set.



(IT) 9565CLR / 125MM ANGLE GRINDER



IT

ITALY

## 9565CLR / 125MM ANGLE GRINDER

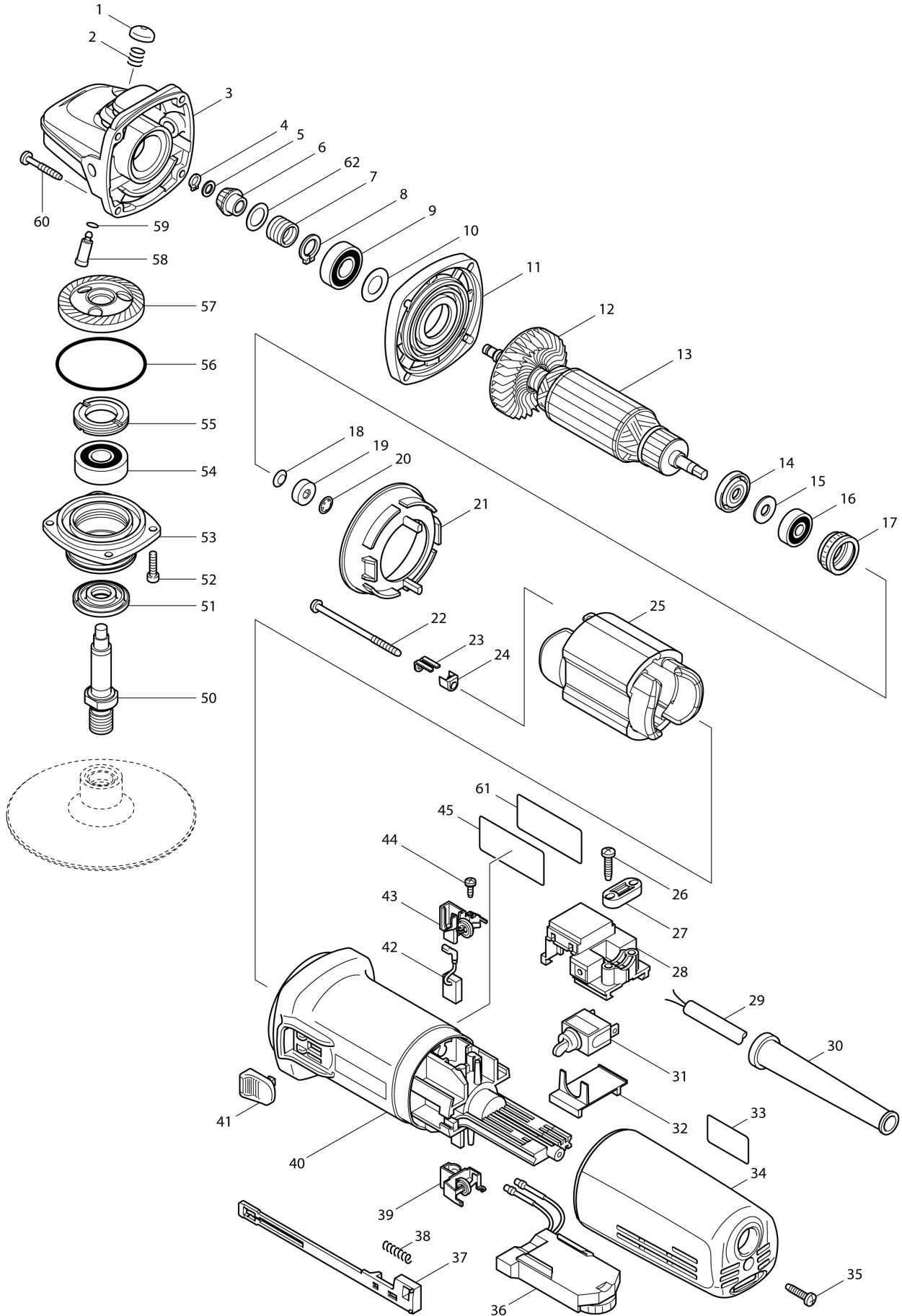
Item	Sub	Parts No.	Parts Description	Qty	I/C	E/C No.	Close No.	Remark
001		418067-8	PIN CAP	1				
002		233072-2	COMPRESSION SPRING 8	1				
003		153488-4	GEAR HOUSING COMPLETE	1				
004		961008-8	RETAINING RING S-5	1				
005		267034-8	FLAT WASHER 5	1				
006		226796-7	SPIRAL BEVEL GEAR 7	1				
007		233901-9	LOCK SPRING 12	1				
008		961052-5	RETAINING RING S-12	1				
009		211142-7	BALL BEARING 6001LLB	1				
010		253084-9	FLAT WASHER 12	1				
011		317359-1	GEAR HOUSING COVER	1				
012		240033-5	FAN 57	1				
013		515238-9	ARMATURE ASS'Y 220-240V	1				
	D10		INC. 12,14-16					
014		681656-4	INSULATION WASHER	1				
015		253823-7	FLAT WASHER 7	1				
016		210027-4	BALL BEARING 627DDW	1				
017		421738-8	LABYRINTH RUBBER RING 22	1				
018		267756-0	WAVE WASHER 6	1				
019		688117-5	MAGNET SLEEVE	1				
020		259039-2	SELF LOCK 6	1				
021		413076-2	BAFFLE PLATE	1				
022		266258-3	TAPPING SCREW 4X70	2				
023		344871-8	RETAINER	2				
024		417237-6	INSULATION COVER	2				
025		626503-2	FIELD 220-240V	1				
026		265995-6	TAPPING SCREW 4X18	2				
027		687052-4	STRAIN RELIEF	1				
028		638635-3	SWITCH BLOCK	1				
029		665394-6	POWER SUPPLY CORD 1.0-2-2.5	1				
030		682559-5	CORD GUARD 8	1				
031		651418-4	SWITCH ST115A-40	1				
032		687113-0	COVER	1				
033		816799-5	INDICATION LABEL	1			86517	
033-1		816505-8	INDICATION LABEL	1	X	86517		
034		417185-9	REAR COVER	1				
035		265995-6	TAPPING SCREW 4X18	1				
036		631847-7	CONTROLLER	1				
037		417186-7	SWITCH LEVER	1				
038		233071-4	COMPRESSION SPRING 4	1				
039		643760-7	BRUSH HOLDER	1				
040		418512-3	MOTOR HOUSING	1			85997	
040-1		451278-2	MOTOR HOUSING	1	<	85997	92057	
040-2		453276-2	MOTOR HOUSING	1	<	92057		
041		417813-6	SWITCH KNOB	1				
042		191978-9	A.C. CARBON BRUSH CB-318	1				
043		643760-7	BRUSH HOLDER	1				
044		266256-7	TAPPING SCREW PT3X10	4				
045		866170-3	9565CLR NAME PLATE	1			A1200	
045-1		866170-3	9565CLR NAME PLATE	1	<	A1200		
050		324035-0	SPINDLE	1				
051		415300-9	LABYRINTH RING	1				
052		265490-6	HEX. SOCKET HEAD BOLT M4X16	4				
053		318302-3	BEARING BOX	1			85997	
053-1		318334-0	BEARING BOX	1	S	85997		
054		211129-9	BALL BEARING 6201DDW	1				
055		285841-7	BEARING RETAINER	1				
056		213673-2	O RING 52	1				
057		226797-5	SPIRAL BEVEL GEAR 37	1				
058		256459-1	PIN	1				
059		213048-5	O RING 6	1				
060		266257-5	TAPPING SCREW 4X28	4				
061		819329-1	CLEAR LABEL	1				
062		253052-2	FLAT WASHER 12	1				
A01		153489-2	GRIP 36 COMPLETE	1				

Interchange  
O : Yes  
X : No  
< : the new part can be substituted for the current.  
> : the current part can be substituted for the new.  
S : Interchangeable as a set.

IT



(NL) 9565CLR / 125MM ANGLE GRINDER



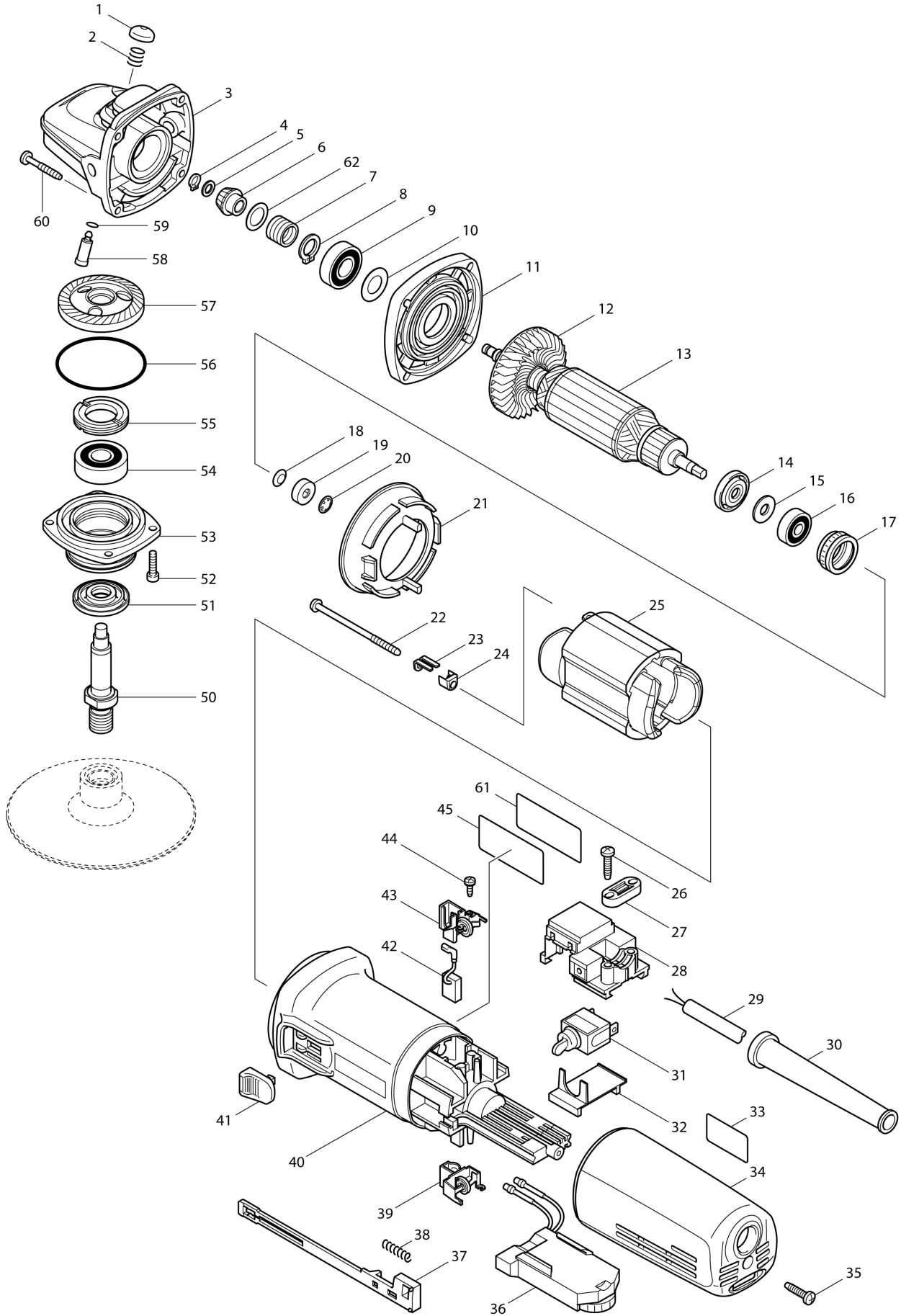
### 9565CLR / 125MM ANGLE GRINDER

Item	Sub	Parts No.	Parts Description	Qty	I/C	E/C No.	Close No.	Remark
001		418067-8	PIN CAP	1				
002		233072-2	COMPRESSION SPRING 8	1				
003		153488-4	GEAR HOUSING COMPLETE	1				
004		961008-8	RETAINING RING S-5	1				
005		267034-8	FLAT WASHER 5	1				
006		226796-7	SPIRAL BEVEL GEAR 7	1				
007		233901-9	LOCK SPRING 12	1				
008		961052-5	RETAINING RING S-12	1				
009		211142-7	BALL BEARING 6001LLB	1				
010		253084-9	FLAT WASHER 12	1				
011		317359-1	GEAR HOUSING COVER	1				
012		240033-5	FAN 57	1				
013		515238-9	ARMATURE ASS'Y 220-240V	1				
	D10		INC. 12,14-16					
014		681656-4	INSULATION WASHER	1				
015		253823-7	FLAT WASHER 7	1				
016		210027-4	BALL BEARING 627DDW	1				
017		421738-8	LABYRINTH RUBBER RING 22	1				
018		267756-0	WAVE WASHER 6	1				
019		688117-5	MAGNET SLEEVE	1				
020		259039-2	SELF LOCK 6	1				
021		413076-2	BAFFLE PLATE	1				
022		266258-3	TAPPING SCREW 4X70	2				
023		344871-8	RETAINER	2				
024		417237-6	INSULATION COVER	2				
025		626503-2	FIELD 220-240V	1				
026		265995-6	TAPPING SCREW 4X18	2				
027		687052-4	STRAIN RELIEF	1			Z20023	
027-1		687124-5	STRAIN RELIEF	1	O	Z20023		
028		638635-3	SWITCH BLOCK	1				
029		665394-6	POWER SUPPLY CORD 1.0-2-2.5	1				
030		682559-5	CORD GUARD 8	1				
031		651418-4	SWITCH ST115A-40	1				
032		687113-0	COVER	1				
033		816799-5	INDICATION LABEL	1			86517	
033-1		816505-8	INDICATION LABEL	1	X	86517		
034		417185-9	REAR COVER	1				
035		265995-6	TAPPING SCREW 4X18	1				
036		631847-7	CONTROLLER	1				
037		417186-7	SWITCH LEVER	1				
038		233071-4	COMPRESSION SPRING 4	1				
039		643760-7	BRUSH HOLDER	1				
040		418512-3	MOTOR HOUSING	1			85997	
040-1		451278-2	MOTOR HOUSING	1	<	85997	92057	
040-2		453276-2	MOTOR HOUSING	1	<	92057		
041		417813-6	SWITCH KNOB	1				
042		191978-9	A.C. CARBON BRUSH CB-318	1				
043		643760-7	BRUSH HOLDER	1				
044		266256-7	TAPPING SCREW PT3X10	4				
045		866170-3	9565CLR NAME PLATE	1			A1200	
045-1		866170-3	9565CLR NAME PLATE	1	<	A1200		
050		324035-0	SPINDLE	1				
051		415300-9	LABYRINTH RING	1				
052		265490-6	HEX. SOCKET HEAD BOLT M4X16	4				
053		318302-3	BEARING BOX	1			85997	
053-1		318334-0	BEARING BOX	1	S	85997		
054		211129-9	BALL BEARING 6201DDW	1				
055		285841-7	BEARING RETAINER	1				
056		213673-2	O RING 52	1				
057		226797-5	SPIRAL BEVEL GEAR 37	1				
058		256459-1	PIN	1				
059		213048-5	O RING 6	1				
060		266257-5	TAPPING SCREW 4X28	4				
061		819329-1	CLEAR LABEL	1			A5635	
061-1		805W65-3	CLEAR LABEL	1	O	A5635	C4842	

Interchange  
O : Yes  
X : No  
< : the new part can be substituted for the current.  
> : the current part can be substituted for the new.  
S : Interchangeable as a set.



(PL) 9565CLR / 125MM ANGLE GRINDER



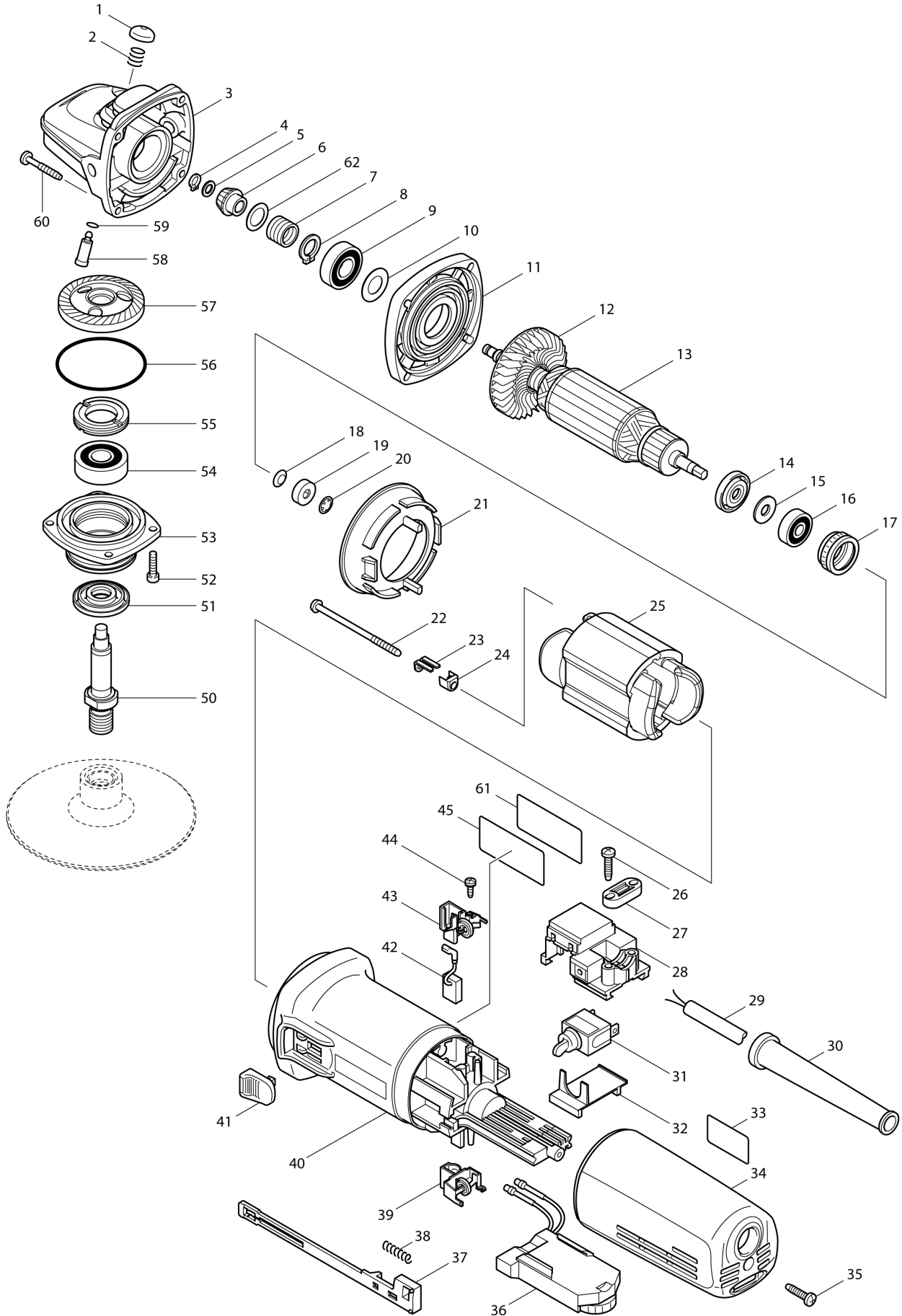
### 9565CLR / 125MM ANGLE GRINDER

Item	Sub	Parts No.	Parts Description	Qty	I/C	E/C No.	Close No.	Remark
001		418067-8	PIN CAP	1				
002		233072-2	COMPRESSION SPRING 8	1				
003		153488-4	GEAR HOUSING COMPLETE	1				
004		961008-8	RETAINING RING S-5	1				
005		267034-8	FLAT WASHER 5	1				
006		226796-7	SPIRAL BEVEL GEAR 7	1				
007		233901-9	LOCK SPRING 12	1				
008		961052-5	RETAINING RING S-12	1				
009		211142-7	BALL BEARING 6001LLB	1				
010		253084-9	FLAT WASHER 12	1				
011		317359-1	GEAR HOUSING COVER	1				
012		240033-5	FAN 57	1				
013		515238-9	ARMATURE ASS'Y 220-240V	1				
	D10		INC. 12,14-16					
014		681656-4	INSULATION WASHER	1				
015		253823-7	FLAT WASHER 7	1				
016		210027-4	BALL BEARING 627DDW	1				
017		421738-8	LABYRINTH RUBBER RING 22	1				
018		267756-0	WAVE WASHER 6	1				
019		688117-5	MAGNET SLEEVE	1				
020		259039-2	SELF LOCK 6	1				
021		413076-2	BAFFLE PLATE	1				
022		266258-3	TAPPING SCREW 4X70	2				
023		344871-8	RETAINER	2				
024		417237-6	INSULATION COVER	2				
025		626503-2	FIELD 220-240V	1				
026		265995-6	TAPPING SCREW 4X18	2				
027		687052-4	STRAIN RELIEF	1				
028		638635-3	SWITCH BLOCK	1				
029		665394-6	POWER SUPPLY CORD 1.0-2-2.5	1				
030		682559-5	CORD GUARD 8	1				
031		651418-4	SWITCH ST115A-40	1				
032		687113-0	COVER	1				
033		816799-5	INDICATION LABEL	1			86517	
033-1		816505-8	INDICATION LABEL	1	X	86517		
034		417185-9	REAR COVER	1				
035		265995-6	TAPPING SCREW 4X18	1				
036		631847-7	CONTROLLER	1				
037		417186-7	SWITCH LEVER	1				
038		233071-4	COMPRESSION SPRING 4	1				
039		643760-7	BRUSH HOLDER	1				
040		418512-3	MOTOR HOUSING	1			85997	
040-1		451278-2	MOTOR HOUSING	1	<	85997	92057	
040-2		453276-2	MOTOR HOUSING	1	<	92057		
041		417813-6	SWITCH KNOB	1				
042		191978-9	A.C. CARBON BRUSH CB-318	1				
043		643760-7	BRUSH HOLDER	1				
044		266256-7	TAPPING SCREW PT3X10	4				
045		866170-3	9565CLR NAME PLATE	1			A1200	
045-1		866170-3	9565CLR NAME PLATE	1	<	A1200		
050		324035-0	SPINDLE	1				
051		415300-9	LABYRINTH RING	1				
052		265490-6	HEX. SOCKET HEAD BOLT M4X16	4				
053		318302-3	BEARING BOX	1			85997	
053-1		318334-0	BEARING BOX	1	S	85997		
054		211129-9	BALL BEARING 6201DDW	1				
055		285841-7	BEARING RETAINER	1				
056		213673-2	O RING 52	1				
057		226797-5	SPIRAL BEVEL GEAR 37	1				
058		256459-1	PIN	1				
059		213048-5	O RING 6	1				
060		266257-5	TAPPING SCREW 4X28	4				
061		819329-1	CLEAR LABEL	1				
062		253052-2	FLAT WASHER 12	1				
A01		153489-2	GRIP 36 COMPLETE	1			83254	

Interchange  
O : Yes  
X : No  
< : the new part can be substituted for the current.  
> : the current part can be substituted for the new.  
S : Interchangeable as a set.



# (SI) 9565CLR / 125MM ANGLE GRINDER



<b>SI</b>	<b>SLOVENIA</b>
-----------	-----------------

### 9565CLR / 125MM ANGLE GRINDER

Item	Sub	Parts No.	Parts Description	Qty	I/C	E/C No.	Close No.	Remark
001		418067-8	PIN CAP	1				
002		233072-2	COMPRESSION SPRING 8	1				
003		153488-4	GEAR HOUSING COMPLETE	1				
004		961008-8	RETAINING RING S-5	1				
005		267034-8	FLAT WASHER 5	1				
006		226796-7	SPIRAL BEVEL GEAR 7	1				
007		233901-9	LOCK SPRING 12	1				
008		961052-5	RETAINING RING S-12	1				
009		211142-7	BALL BEARING 6001LLB	1				
010		253084-9	FLAT WASHER 12	1				
011		317359-1	GEAR HOUSING COVER	1				
012		240033-5	FAN 57	1				
013		515238-9	ARMATURE ASS'Y 220-240V	1				
	D10		INC. 12,14-16					
014		681656-4	INSULATION WASHER	1				
015		253823-7	FLAT WASHER 7	1				
016		210027-4	BALL BEARING 627DDW	1				
017		421738-8	LABYRINTH RUBBER RING 22	1				
018		267756-0	WAVE WASHER 6	1				
019		688117-5	MAGNET SLEEVE	1				
020		259039-2	SELF LOCK 6	1				
021		413076-2	BAFFLE PLATE	1				
022		266258-3	TAPPING SCREW 4X70	2				
023		344871-8	RETAINER	2				
024		417237-6	INSULATION COVER	2				
025		626503-2	FIELD 220-240V	1				
026		265995-6	TAPPING SCREW 4X18	2				
027-1		687124-5	STRAIN RELIEF	1				
028		638635-3	SWITCH BLOCK	1				
029		665394-6	POWER SUPPLY CORD 1.0-2-2.5	1				
030		682559-5	CORD GUARD 8	1				
031		651418-4	SWITCH ST115A-40	1				
032		687113-0	COVER	1				
033-1		816505-8	INDICATION LABEL	1				
034		417185-9	REAR COVER	1				
035		265995-6	TAPPING SCREW 4X18	1				
036		631847-7	CONTROLLER	1				
037		417186-7	SWITCH LEVER	1				
038		233071-4	COMPRESSION SPRING 4	1				
039		643760-7	BRUSH HOLDER	1				
040-2		453276-2	MOTOR HOUSING	1				
041		417813-6	SWITCH KNOB	1				
042		191978-9	A.C. CARBON BRUSH CB-318	1				
043		643760-7	BRUSH HOLDER	1				
044		266256-7	TAPPING SCREW PT3X10	4				
045-1		866170-3	9565CLR NAME PLATE	1				
050		324035-0	SPINDLE	1				
051		415300-9	LABYRINTH RING	1				
052		265490-6	HEX. SOCKET HEAD BOLT M4X16	4				
053-1		318334-0	BEARING BOX	1				
054		211129-9	BALL BEARING 6201DDW	1				
055		285841-7	BEARING RETAINER	1				
056		213673-2	O RING 52	1				
057		226797-5	SPIRAL BEVEL GEAR 37	1				
058		256459-1	PIN	1				
059		213048-5	O RING 6	1				
060		266257-5	TAPPING SCREW 4X28	4				
061-1		805W65-3	CLEAR LABEL	1			C4842	
062		253052-2	FLAT WASHER 12	1				
A01-1		162258-0	VIBRATION PROOF GRIP	1				
A02-2		123099-9	WHEEL COVER 125AK ASSEMBLY	1				
	C10	213009-5	O RING 4	1				
	C20	265180-1	PAN HEAD SCREW M5X16	1				
A03		224415-9	INNER FLANGE 42	1				
A04		224554-5	LOCK NUT 14-45	1				

Interchange  
O : Yes  
X : No  
< : the new part can be substituted for the current.  
> : the current part can be substituted for the new.  
S : Interchangeable as a set.

SI

