



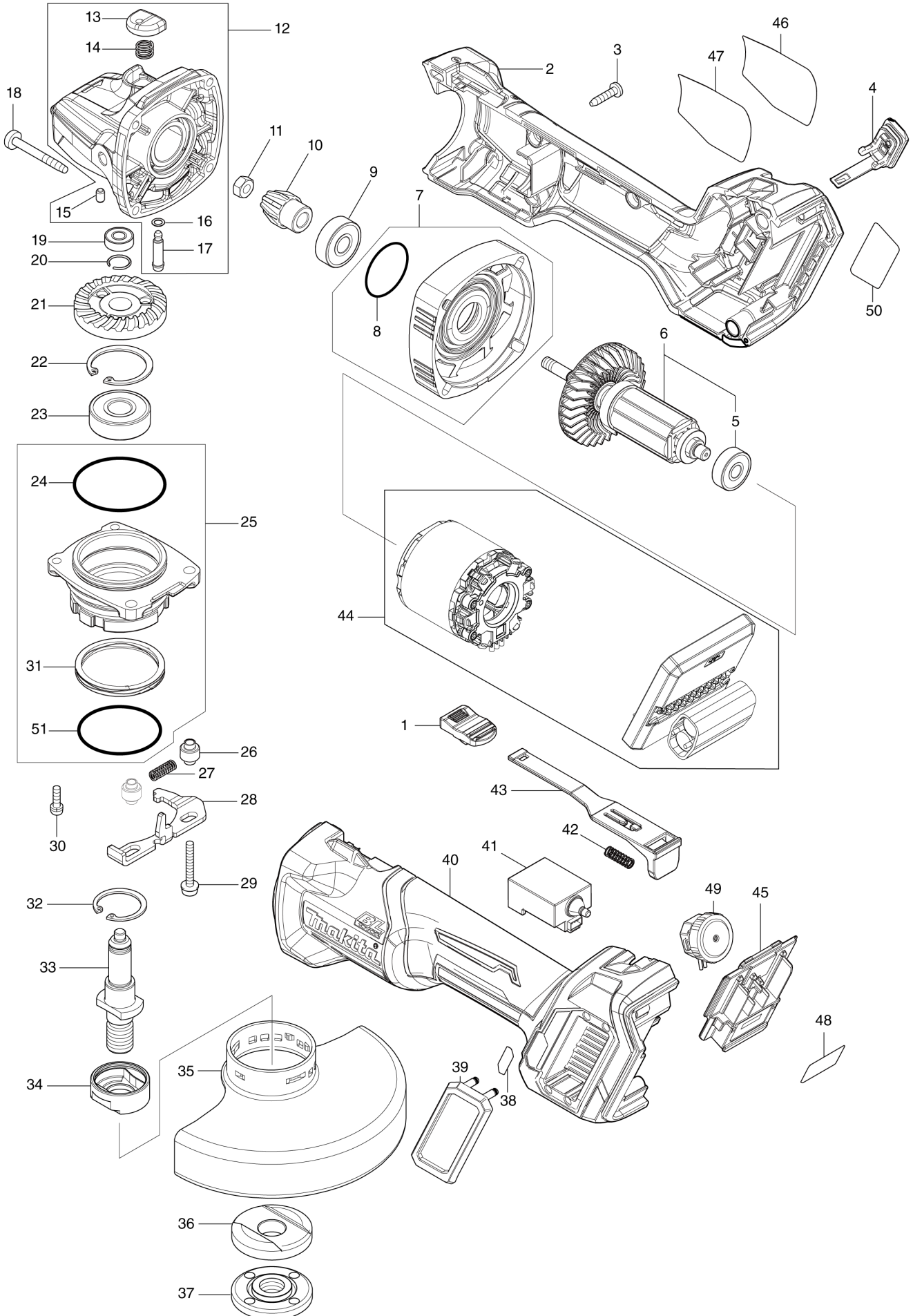
- AT
- BE
- CH
- DE
- ES
- FR
- IT
- NL
- PL
- SE
- SI

Diagram / Parts List

GA023G

125MM CORDLESS ANGLE GRINDER

(AT) GA023G / 125MM CORDLESS ANGLE GRINDER



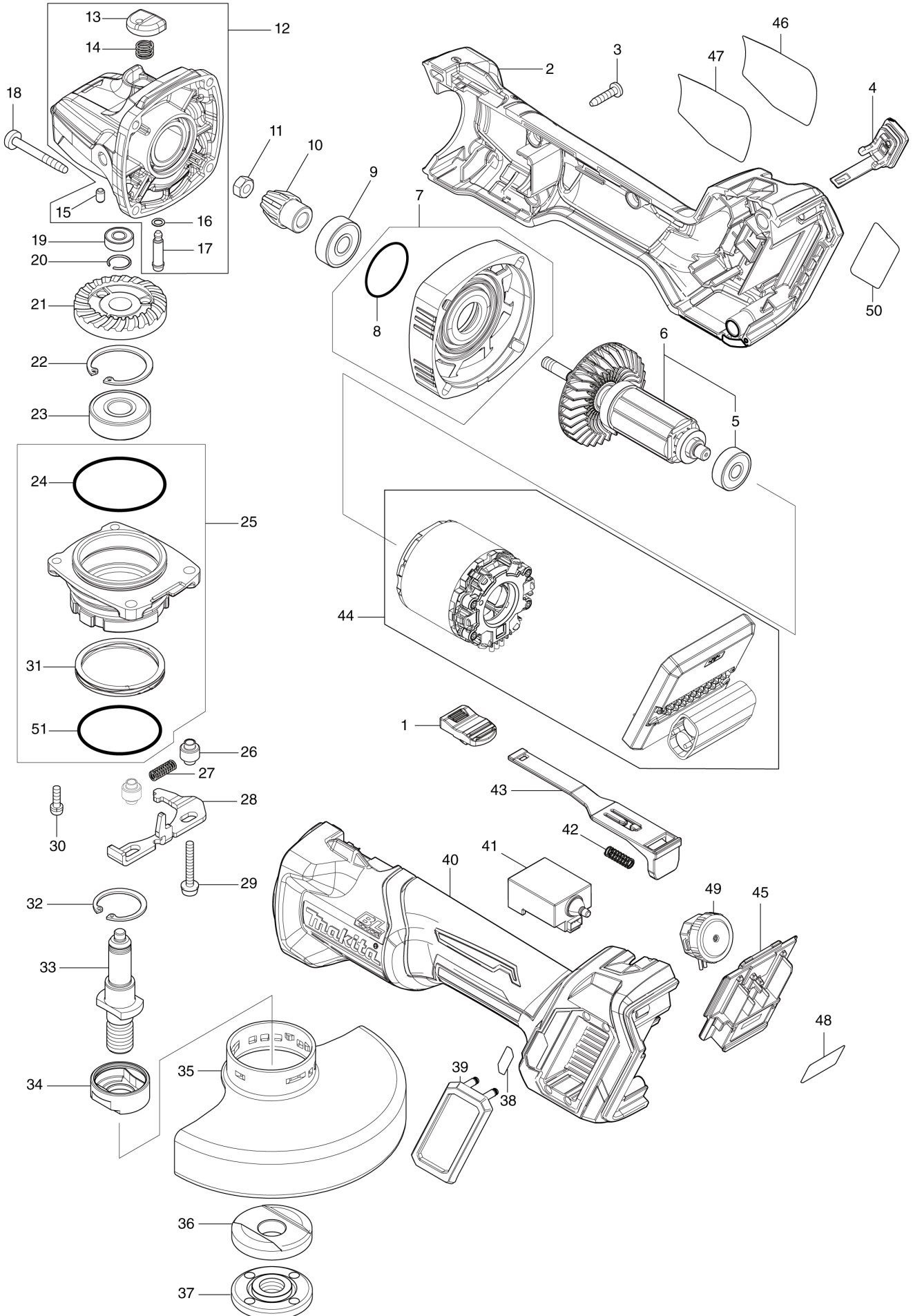
GA023G / 125MM CORDLESS ANGLE GRINDER

| Item | Sub | Parts No. | Parts Description | Qty | I/C | E/C No. | Close No. | Remark |
|------|-----|-----------|--------------------------|-----|-----|---------|-----------|--------|
| 001 | | 455447-7 | SWITCH KNOB | 1 | | | | |
| 002 | | 183P76-9 | MOTOR HOUSING SET | 1 | | | | |
| | C10 | 263005-3 | RUBBER PIN 6 | 2 | | | | |
| | D10 | | INC. 40 | | | | | |
| 003 | | 266326-2 | TAPPING SCREW 4X18 | 5 | | | | |
| 004 | | 140G30-2 | CAP COMPLETE | 1 | | | | |
| | C10 | 213218-6 | O RING 16 | 1 | | | | |
| | C20 | 818H48-4 | CAP LABEL | 1 | | | | |
| 005 | | 210023-2 | BALL BEARING 627DDW | 1 | | | | |
| 006 | | 519595-7 | ROTOR ASS'Y | 1 | | | | |
| | D10 | | INC. 5 | | | | | |
| 007 | | 136190-4 | GEAR HOUSING COVER ASS'Y | 1 | | | | |
| | D10 | | INC. 8 | | | | | |
| 008 | | 213445-5 | O-RING 26 | 1 | | | | |
| 009 | | 210042-8 | BALL BEARING 629LLB | 1 | | | | |
| 010 | | 226976-5 | SPIRAL BEVEL GEAR 10 | 1 | | | | |
| 011 | | 252186-8 | HEX. NUT M6 | 1 | | | | |
| 012 | | 136198-8 | GEAR HOUSING ASS'Y | 1 | | | | |
| | D10 | | INC. 13-17 | | | | | |
| 013 | | 412234-7 | PIN CAP | 1 | | | | |
| 014 | | 233072-2 | COMPRESSION SPRING 8 | 1 | | | | |
| 015 | | 263002-9 | RUBBER PIN 4 | 1 | | | | |
| 016 | | 213960-9 | O RING 5 | 1 | | | | |
| 017 | | 256546-6 | SHOULDER PIN 4 | 1 | | | | |
| 018 | | 266048-4 | TAPPING SCREW 4X40 | 4 | | | | |
| 019 | | 210033-9 | BALL BEARING 696ZZ | 1 | | | | |
| 020 | | 233950-6 | RING SPRING 11 | 1 | | | | |
| 021 | | 226862-0 | SPIRAL BEVEL GEAR 37 | 1 | | | | |
| 022 | | 962151-6 | RETAINING RING R-32 | 1 | | | | |
| 023 | | 211129-9 | BALL BEARING 6201DDW | 1 | | | | |
| 024 | | 213622-9 | O RING 45 | 1 | | | | |
| 025 | | 136262-5 | BEARING BOX ASS'Y | 1 | | | | |
| | D10 | | INC. 24,31,51 | | | | | |
| 026 | | 327322-6 | SLEEVE 4 | 2 | | | | |
| 027 | | 232490-1 | COMPRESSION SPRING 4 | 1 | | | | |
| 028 | | 347641-4 | LEVER B | 1 | | | | |
| 029 | | 911159-7 | PAN HEAD SCREW M4X30 | 2 | | | | |
| 030 | | 911138-5 | P.H.SCREW M4X20 WITH WR | 2 | | | | |
| 031 | | 232542-8 | SCROW WAVE SPRING 41 | 1 | | | | |
| 032 | | 962105-3 | RETAINING RING R-26 | 1 | | | | |
| 033 | | 326672-6 | SPINDLE | 1 | | | | |
| 034 | | 310514-4 | LEAD FLANGE | 1 | | | | |
| 035 | | 347480-2 | WHEEL COVER 125 | 1 | | | | |
| 036 | | 224447-6 | INNER FLANGE 42B | 1 | | | | |
| 037 | | 224554-5 | LOCK NUT 14-45 | 1 | | | | |
| 038 | | 8005T5-8 | XGT LOGO LABEL | 1 | | | | |
| 039 | | 422610-7 | DUST COVER | 1 | | | | |
| 040 | | 183P76-9 | MOTOR HOUSING SET | 1 | | | | |
| | C10 | 263005-3 | RUBBER PIN 6 | 2 | | | | |
| | D10 | | INC. 2 | | | | | |
| 041 | | 651445-1 | SWITCH FPM-1130 | 1 | | | | |
| 042 | | 233121-5 | COMPRESSION SPRING 4 | 1 | | | | |
| 043 | | 412233-9 | SWITCH LEVER | 1 | | | | |
| 044 | | 629498-8 | STATOR COMPLETE | 1 | | | | |
| 045 | | 632P65-6 | TERMINAL UNIT | 1 | | | | |
| 046 | | 8008U5-3 | CLEAR LABEL | 1 | | | | |
| 047 | | 857H22-7 | GA023G NAME PLATE | 1 | | | | |
| 048 | | 857H28-5 | GA023G SERIAL NO. LABEL | 1 | | | | |
| 049 | | 620D30-5 | DIAL CIRCUIT | 1 | | | | |
| 050 | | 8015J1-9 | INDICATION LABEL | 1 | | | | |
| 051 | | 213510-0 | O RING 36 | 1 | | | | |
| A01 | | 158237-4 | GRIP 36 COMPLETE | 1 | | | | |
| A02 | | A-80656 | GRINDING WHEEL 125 WA36N | 1 | | | | |
| A03 | | 782423-1 | LOCK NUT WRENCH 35 | 1 | | | | |
| A04B | | 412393-7 | BATTERY COVER | 2 | | | | |

B:GA023GM201(H)

Interchange
 O : Yes
 X : No
 < : the new part can be substituted for the current.
 > : the current part can be substituted for the new.
 S : Interchangeable as a set.

(BE) GA023G / 125MM CORDLESS ANGLE GRINDER



| | |
|-----------|----------------|
| BE | BELGIUM |
|-----------|----------------|

GA023G / 125MM CORDLESS ANGLE GRINDER

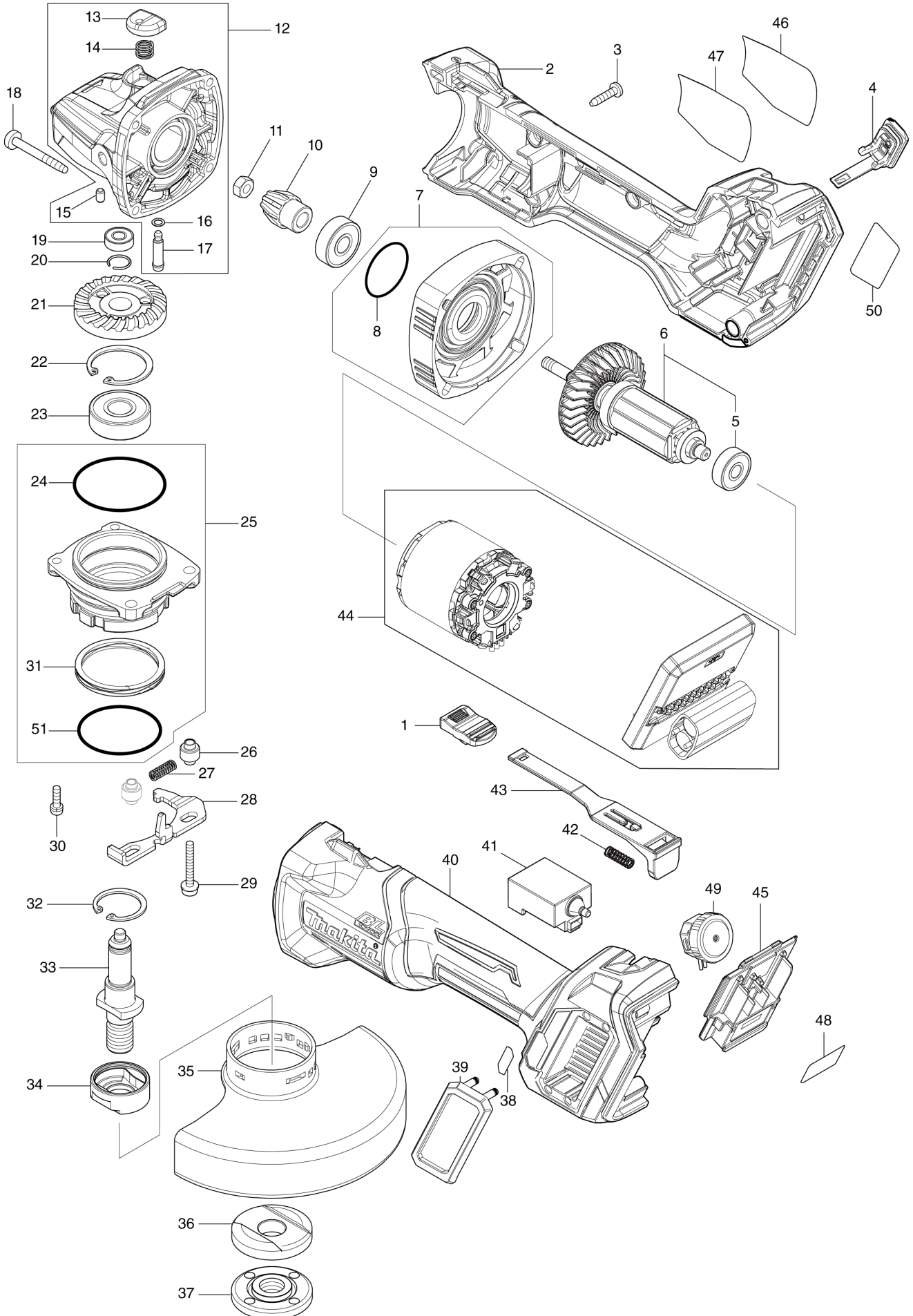
| Item | Sub | Parts No. | Parts Description | Qty | I/C | E/C No. | Close No. | Remark |
|------|-----|-----------|--------------------------|-----|-----|---------|-----------|--------|
| 001 | | 455447-7 | SWITCH KNOB | 1 | | | | |
| 002 | | 183P76-9 | MOTOR HOUSING SET | 1 | | | | |
| | C10 | 263005-3 | RUBBER PIN 6 | 2 | | | | |
| | D10 | | INC. 40 | | | | | |
| 003 | | 266326-2 | TAPPING SCREW 4X18 | 5 | | | | |
| 004 | | 140G30-2 | CAP COMPLETE | 1 | | | | |
| | C10 | 213218-6 | O RING 16 | 1 | | | | |
| | C20 | 818H48-4 | CAP LABEL | 1 | | | | |
| 005 | | 210023-2 | BALL BEARING 627DDW | 1 | | | | |
| 006 | | 519595-7 | ROTOR ASS'Y | 1 | | | | |
| | D10 | | INC. 5 | | | | | |
| 007 | | 136190-4 | GEAR HOUSING COVER ASS'Y | 1 | | | | |
| | D10 | | INC. 8 | | | | | |
| 008 | | 213445-5 | O-RING 26 | 1 | | | | |
| 009 | | 210042-8 | BALL BEARING 629LLB | 1 | | | | |
| 010 | | 226976-5 | SPIRAL BEVEL GEAR 10 | 1 | | | | |
| 011 | | 252186-8 | HEX. NUT M6 | 1 | | | | |
| 012 | | 136198-8 | GEAR HOUSING ASS'Y | 1 | | | | |
| | D10 | | INC. 13-17 | | | | | |
| 013 | | 412234-7 | PIN CAP | 1 | | | | |
| 014 | | 233072-2 | COMPRESSION SPRING 8 | 1 | | | | |
| 015 | | 263002-9 | RUBBER PIN 4 | 1 | | | | |
| 016 | | 213960-9 | O RING 5 | 1 | | | | |
| 017 | | 256546-6 | SHOULDER PIN 4 | 1 | | | | |
| 018 | | 266048-4 | TAPPING SCREW 4X40 | 4 | | | | |
| 019 | | 210033-9 | BALL BEARING 696ZZ | 1 | | | | |
| 020 | | 233950-6 | RING SPRING 11 | 1 | | | | |
| 021 | | 226862-0 | SPIRAL BEVEL GEAR 37 | 1 | | | | |
| 022 | | 962151-6 | RETAINING RING R-32 | 1 | | | | |
| 023 | | 211129-9 | BALL BEARING 6201DDW | 1 | | | | |
| 024 | | 213622-9 | O RING 45 | 1 | | | | |
| 025 | | 136262-5 | BEARING BOX ASS'Y | 1 | | | | |
| | D10 | | INC. 24,31,51 | | | | | |
| 026 | | 327322-6 | SLEEVE 4 | 2 | | | | |
| 027 | | 232490-1 | COMPRESSION SPRING 4 | 1 | | | | |
| 028 | | 347641-4 | LEVER B | 1 | | | | |
| 029 | | 911159-7 | PAN HEAD SCREW M4X30 | 2 | | | | |
| 030 | | 911138-5 | P.H.SCREW M4X20 WITH WR | 2 | | | | |
| 031 | | 232542-8 | SCROW WAVE SPRING 41 | 1 | | | | |
| 032 | | 962105-3 | RETAINING RING R-26 | 1 | | | | |
| 033 | | 326672-6 | SPINDLE | 1 | | | | |
| 034 | | 310514-4 | LEAD FLANGE | 1 | | | | |
| 035 | | 347480-2 | WHEEL COVER 125 | 1 | | | | |
| 036 | | 224447-6 | INNER FLANGE 42B | 1 | | | | |
| 037 | | 224554-5 | LOCK NUT 14-45 | 1 | | | | |
| 038 | | 8005T5-8 | XGT LOGO LABEL | 1 | | | | |
| 039 | | 422610-7 | DUST COVER | 1 | | | | |
| 040 | | 183P76-9 | MOTOR HOUSING SET | 1 | | | | |
| | C10 | 263005-3 | RUBBER PIN 6 | 2 | | | | |
| | D10 | | INC. 2 | | | | | |
| 041 | | 651445-1 | SWITCH FPM-1130 | 1 | | | | |
| 042 | | 233121-5 | COMPRESSION SPRING 4 | 1 | | | | |
| 043 | | 412233-9 | SWITCH LEVER | 1 | | | | |
| 044 | | 629498-8 | STATOR COMPLETE | 1 | | | | |
| 045 | | 632P65-6 | TERMINAL UNIT | 1 | | | | |
| 046 | | 8008U5-3 | CLEAR LABEL | 1 | | | | |
| 047 | | 857H22-7 | GA023G NAME PLATE | 1 | | | | |
| 048 | | 857H28-5 | GA023G SERIAL NO. LABEL | 1 | | | | |
| 049 | | 620D30-5 | DIAL CIRCUIT | 1 | | | | |
| 050 | | 8015J1-9 | INDICATION LABEL | 1 | | | | |
| 051 | | 213510-0 | O RING 36 | 1 | | | | |
| A01 | | 158237-4 | GRIP 36 COMPLETE | 1 | | | | |
| A02 | | A-80656 | GRINDING WHEEL 125 WA36N | 1 | | | | |
| A03 | | 782423-1 | LOCK NUT WRENCH 35 | 1 | | | | |
| A04B | | 412393-7 | BATTERY COVER | 2 | | | | |

B:GA023GM201(H)

Interchange
 O : Yes
 X : No
 < : the new part can be substituted for the current.
 > : the current part can be substituted for the new.
 S : Interchangeable as a set.

BE

(CH) GA023G / 125MM CORDLESS ANGLE GRINDER



| | |
|-----------|--------------------|
| CH | SWITZERLAND |
|-----------|--------------------|

GA023G / 125MM CORDLESS ANGLE GRINDER

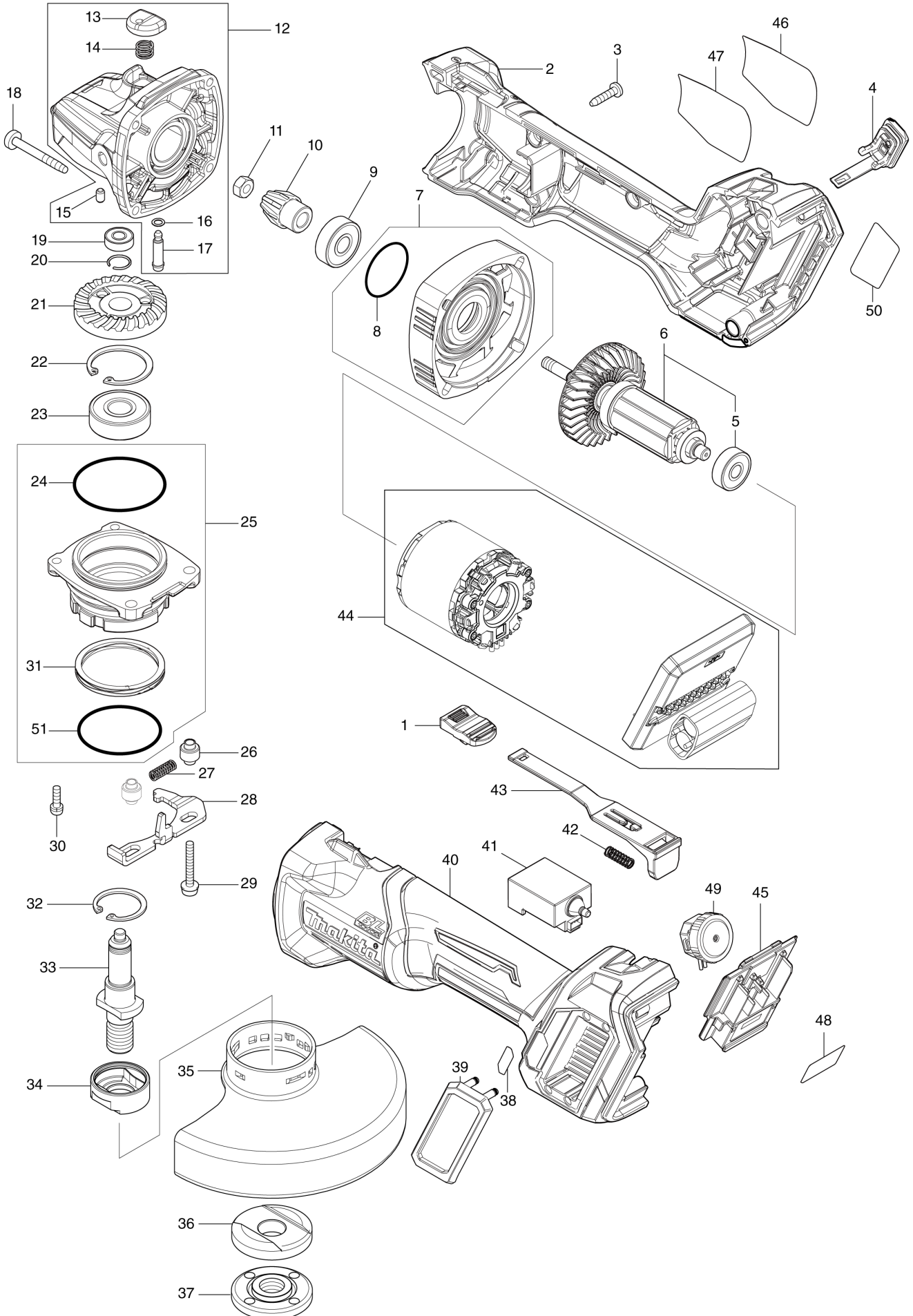
| Item | Sub | Parts No. | Parts Description | Qty | I/C | E/C No. | Close No. | Remark |
|------|-----|-----------|--------------------------|-----|-----|---------|-----------|--------|
| 001 | | 455447-7 | SWITCH KNOB | 1 | | | | |
| 002 | | 183P76-9 | MOTOR HOUSING SET | 1 | | | | |
| | C10 | 263005-3 | RUBBER PIN 6 | 2 | | | | |
| | D10 | | INC. 40 | | | | | |
| 003 | | 266326-2 | TAPPING SCREW 4X18 | 5 | | | | |
| 004 | | 140G30-2 | CAP COMPLETE | 1 | | | | |
| | C10 | 213218-6 | O RING 16 | 1 | | | | |
| | C20 | 818H48-4 | CAP LABEL | 1 | | | | |
| 005 | | 210023-2 | BALL BEARING 627DDW | 1 | | | | |
| 006 | | 519595-7 | ROTOR ASS'Y | 1 | | | | |
| | D10 | | INC. 5 | | | | | |
| 007 | | 136190-4 | GEAR HOUSING COVER ASS'Y | 1 | | | | |
| | D10 | | INC. 8 | | | | | |
| 008 | | 213445-5 | O-RING 26 | 1 | | | | |
| 009 | | 210042-8 | BALL BEARING 629LLB | 1 | | | | |
| 010 | | 226976-5 | SPIRAL BEVEL GEAR 10 | 1 | | | | |
| 011 | | 252186-8 | HEX. NUT M6 | 1 | | | | |
| 012 | | 136198-8 | GEAR HOUSING ASS'Y | 1 | | | | |
| | D10 | | INC. 13-17 | | | | | |
| 013 | | 412234-7 | PIN CAP | 1 | | | | |
| 014 | | 233072-2 | COMPRESSION SPRING 8 | 1 | | | | |
| 015 | | 263002-9 | RUBBER PIN 4 | 1 | | | | |
| 016 | | 213960-9 | O RING 5 | 1 | | | | |
| 017 | | 256546-6 | SHOULDER PIN 4 | 1 | | | | |
| 018 | | 266048-4 | TAPPING SCREW 4X40 | 4 | | | | |
| 019 | | 210033-9 | BALL BEARING 696ZZ | 1 | | | | |
| 020 | | 233950-6 | RING SPRING 11 | 1 | | | | |
| 021 | | 226862-0 | SPIRAL BEVEL GEAR 37 | 1 | | | | |
| 022 | | 962151-6 | RETAINING RING R-32 | 1 | | | | |
| 023 | | 211129-9 | BALL BEARING 6201DDW | 1 | | | | |
| 024 | | 213622-9 | O RING 45 | 1 | | | | |
| 025 | | 136262-5 | BEARING BOX ASS'Y | 1 | | | | |
| | D10 | | INC. 24,31,51 | | | | | |
| 026 | | 327322-6 | SLEEVE 4 | 2 | | | | |
| 027 | | 232490-1 | COMPRESSION SPRING 4 | 1 | | | | |
| 028 | | 347641-4 | LEVER B | 1 | | | | |
| 029 | | 911159-7 | PAN HEAD SCREW M4X30 | 2 | | | | |
| 030 | | 911138-5 | P.H.SCREW M4X20 WITH WR | 2 | | | | |
| 031 | | 232542-8 | SCROW WAVE SPRING 41 | 1 | | | | |
| 032 | | 962105-3 | RETAINING RING R-26 | 1 | | | | |
| 033 | | 326672-6 | SPINDLE | 1 | | | | |
| 034 | | 310514-4 | LEAD FLANGE | 1 | | | | |
| 035 | | 347480-2 | WHEEL COVER 125 | 1 | | | | |
| 036 | | 224447-6 | INNER FLANGE 42B | 1 | | | | |
| 037 | | 224554-5 | LOCK NUT 14-45 | 1 | | | | |
| 038 | | 8005T5-8 | XGT LOGO LABEL | 1 | | | | |
| 039 | | 422610-7 | DUST COVER | 1 | | | | |
| 040 | | 183P76-9 | MOTOR HOUSING SET | 1 | | | | |
| | C10 | 263005-3 | RUBBER PIN 6 | 2 | | | | |
| | D10 | | INC. 2 | | | | | |
| 041 | | 651445-1 | SWITCH FPM-1130 | 1 | | | | |
| 042 | | 233121-5 | COMPRESSION SPRING 4 | 1 | | | | |
| 043 | | 412233-9 | SWITCH LEVER | 1 | | | | |
| 044 | | 629498-8 | STATOR COMPLETE | 1 | | | | |
| 045 | | 632P65-6 | TERMINAL UNIT | 1 | | | | |
| 046 | | 8008U5-3 | CLEAR LABEL | 1 | | | | |
| 047 | | 857H22-7 | GA023G NAME PLATE | 1 | | | | |
| 048 | | 857H28-5 | GA023G SERIAL NO. LABEL | 1 | | | | |
| 049 | | 620D30-5 | DIAL CIRCUIT | 1 | | | | |
| 050 | | 8015J1-9 | INDICATION LABEL | 1 | | | | |
| 051 | | 213510-0 | O RING 36 | 1 | | | | |
| A01 | | 158237-4 | GRIP 36 COMPLETE | 1 | | | | |
| A02 | | A-80656 | GRINDING WHEEL 125 WA36N | 1 | | | | |
| A03 | | 782423-1 | LOCK NUT WRENCH 35 | 1 | | | | |
| A04B | | 412393-7 | BATTERY COVER | 2 | | | | |

B:GA023GM201(H)

Interchange
 O : Yes
 X : No
 < : the new part can be substituted for the current.
 > : the current part can be substituted for the new.
 S : Interchangeable as a set.

CH

(DE) GA023G / 125MM CORDLESS ANGLE GRINDER



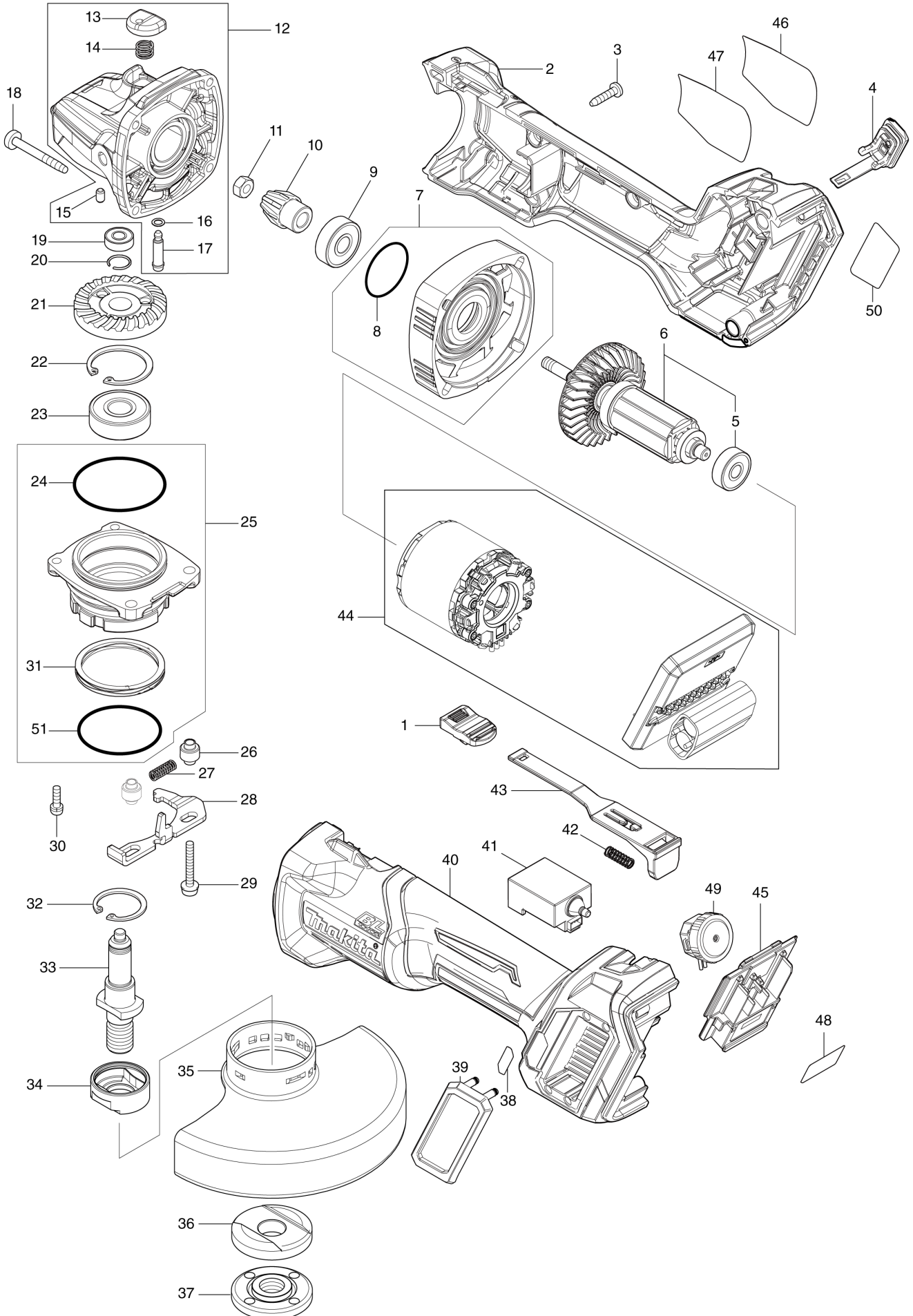
GA023G / 125MM CORDLESS ANGLE GRINDER

| Item | Sub | Parts No. | Parts Description | Qty | I/C | E/C No. | Close No. | Remark |
|------|-----|-----------|--------------------------|-----|-----|---------|-----------|--------|
| 001 | | 455447-7 | SWITCH KNOB | 1 | | | | |
| 002 | | 183P76-9 | MOTOR HOUSING SET | 1 | | | | |
| | C10 | 263005-3 | RUBBER PIN 6 | 2 | | | | |
| | D10 | | INC. 40 | | | | | |
| 003 | | 266326-2 | TAPPING SCREW 4X18 | 5 | | | | |
| 004 | | 140G30-2 | CAP COMPLETE | 1 | | | | |
| | C10 | 213218-6 | O RING 16 | 1 | | | | |
| | C20 | 818H48-4 | CAP LABEL | 1 | | | | |
| 005 | | 210023-2 | BALL BEARING 627DDW | 1 | | | | |
| 006 | | 519595-7 | ROTOR ASS'Y | 1 | | | | |
| | D10 | | INC. 5 | | | | | |
| 007 | | 136190-4 | GEAR HOUSING COVER ASS'Y | 1 | | | | |
| | D10 | | INC. 8 | | | | | |
| 008 | | 213445-5 | O-RING 26 | 1 | | | | |
| 009 | | 210042-8 | BALL BEARING 629LLB | 1 | | | | |
| 010 | | 226976-5 | SPIRAL BEVEL GEAR 10 | 1 | | | | |
| 011 | | 252186-8 | HEX. NUT M6 | 1 | | | | |
| 012 | | 136198-8 | GEAR HOUSING ASS'Y | 1 | | | | |
| | D10 | | INC. 13-17 | | | | | |
| 013 | | 412234-7 | PIN CAP | 1 | | | | |
| 014 | | 233072-2 | COMPRESSION SPRING 8 | 1 | | | | |
| 015 | | 263002-9 | RUBBER PIN 4 | 1 | | | | |
| 016 | | 213960-9 | O RING 5 | 1 | | | | |
| 017 | | 256546-6 | SHOULDER PIN 4 | 1 | | | | |
| 018 | | 266048-4 | TAPPING SCREW 4X40 | 4 | | | | |
| 019 | | 210033-9 | BALL BEARING 696ZZ | 1 | | | | |
| 020 | | 233950-6 | RING SPRING 11 | 1 | | | | |
| 021 | | 226862-0 | SPIRAL BEVEL GEAR 37 | 1 | | | | |
| 022 | | 962151-6 | RETAINING RING R-32 | 1 | | | | |
| 023 | | 211129-9 | BALL BEARING 6201DDW | 1 | | | | |
| 024 | | 213622-9 | O RING 45 | 1 | | | | |
| 025 | | 136262-5 | BEARING BOX ASS'Y | 1 | | | | |
| | D10 | | INC. 24,31,51 | | | | | |
| 026 | | 327322-6 | SLEEVE 4 | 2 | | | | |
| 027 | | 232490-1 | COMPRESSION SPRING 4 | 1 | | | | |
| 028 | | 347641-4 | LEVER B | 1 | | | | |
| 029 | | 911159-7 | PAN HEAD SCREW M4X30 | 2 | | | | |
| 030 | | 911138-5 | P.H.SCREW M4X20 WITH WR | 2 | | | | |
| 031 | | 232542-8 | SCROW WAVE SPRING 41 | 1 | | | | |
| 032 | | 962105-3 | RETAINING RING R-26 | 1 | | | | |
| 033 | | 326672-6 | SPINDLE | 1 | | | | |
| 034 | | 310514-4 | LEAD FLANGE | 1 | | | | |
| 035 | | 347480-2 | WHEEL COVER 125 | 1 | | | | |
| 036 | | 224447-6 | INNER FLANGE 42B | 1 | | | | |
| 037 | | 224554-5 | LOCK NUT 14-45 | 1 | | | | |
| 038 | | 8005T5-8 | XGT LOGO LABEL | 1 | | | | |
| 039 | | 422610-7 | DUST COVER | 1 | | | | |
| 040 | | 183P76-9 | MOTOR HOUSING SET | 1 | | | | |
| | C10 | 263005-3 | RUBBER PIN 6 | 2 | | | | |
| | D10 | | INC. 2 | | | | | |
| 041 | | 651445-1 | SWITCH FPM-1130 | 1 | | | | |
| 042 | | 233121-5 | COMPRESSION SPRING 4 | 1 | | | | |
| 043 | | 412233-9 | SWITCH LEVER | 1 | | | | |
| 044 | | 629498-8 | STATOR COMPLETE | 1 | | | | |
| 045 | | 632P65-6 | TERMINAL UNIT | 1 | | | | |
| 046 | | 8008U5-3 | CLEAR LABEL | 1 | | | | |
| 047 | | 857H22-7 | GA023G NAME PLATE | 1 | | | | |
| 048 | | 857H28-5 | GA023G SERIAL NO. LABEL | 1 | | | | |
| 049 | | 620D30-5 | DIAL CIRCUIT | 1 | | | | |
| 050 | | 8015J1-9 | INDICATION LABEL | 1 | | | | |
| 051 | | 213510-0 | O RING 36 | 1 | | | | |
| A01 | | 158237-4 | GRIP 36 COMPLETE | 1 | | | | |
| A02 | | A-80656 | GRINDING WHEEL 125 WA36N | 1 | | | | |
| A03 | | 782423-1 | LOCK NUT WRENCH 35 | 1 | | | | |
| A04B | | 412393-7 | BATTERY COVER | 2 | | | | |

B:GA023GM201(H)

Interchange
 O : Yes
 X : No
 < : the new part can be substituted for the current.
 > : the current part can be substituted for the new.
 S : Interchangeable as a set.

(ES) GA023G / 125MM CORDLESS ANGLE GRINDER



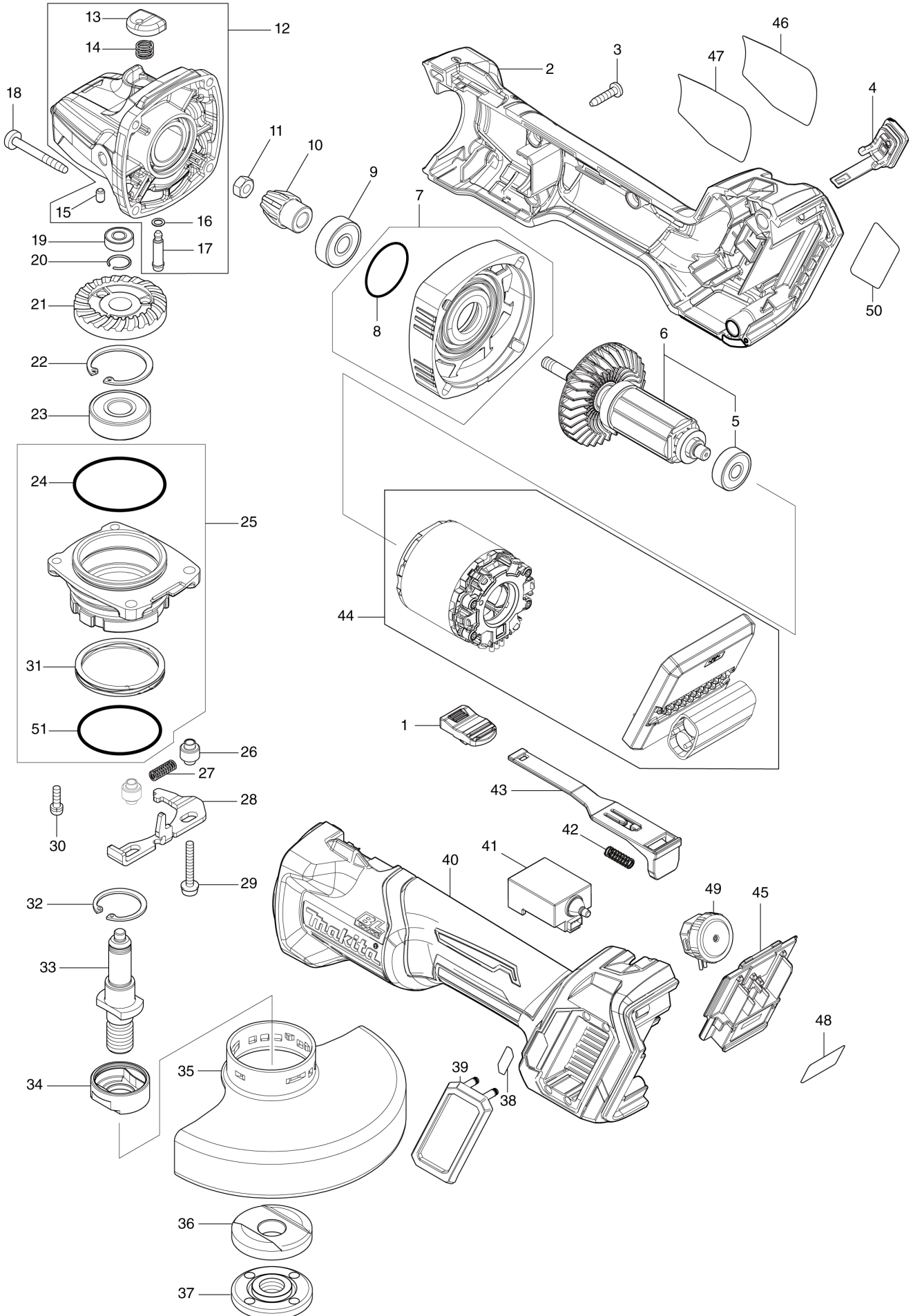
GA023G / 125MM CORDLESS ANGLE GRINDER

| Item | Sub | Parts No. | Parts Description | Qty | I/C | E/C No. | Close No. | Remark |
|------|-----|-----------|--------------------------|-----|-----|---------|-----------|--------|
| 001 | | 455447-7 | SWITCH KNOB | 1 | | | | |
| 002 | | 183P76-9 | MOTOR HOUSING SET | 1 | | | | |
| | C10 | 263005-3 | RUBBER PIN 6 | 2 | | | | |
| | D10 | | INC. 40 | | | | | |
| 003 | | 266326-2 | TAPPING SCREW 4X18 | 5 | | | | |
| 004 | | 140G30-2 | CAP COMPLETE | 1 | | | | |
| | C10 | 213218-6 | O RING 16 | 1 | | | | |
| | C20 | 818H48-4 | CAP LABEL | 1 | | | | |
| 005 | | 210023-2 | BALL BEARING 627DDW | 1 | | | | |
| 006 | | 519595-7 | ROTOR ASS'Y | 1 | | | | |
| | D10 | | INC. 5 | | | | | |
| 007 | | 136190-4 | GEAR HOUSING COVER ASS'Y | 1 | | | | |
| | D10 | | INC. 8 | | | | | |
| 008 | | 213445-5 | O-RING 26 | 1 | | | | |
| 009 | | 210042-8 | BALL BEARING 629LLB | 1 | | | | |
| 010 | | 226976-5 | SPIRAL BEVEL GEAR 10 | 1 | | | | |
| 011 | | 252186-8 | HEX. NUT M6 | 1 | | | | |
| 012 | | 136198-8 | GEAR HOUSING ASS'Y | 1 | | | | |
| | D10 | | INC. 13-17 | | | | | |
| 013 | | 412234-7 | PIN CAP | 1 | | | | |
| 014 | | 233072-2 | COMPRESSION SPRING 8 | 1 | | | | |
| 015 | | 263002-9 | RUBBER PIN 4 | 1 | | | | |
| 016 | | 213960-9 | O RING 5 | 1 | | | | |
| 017 | | 256546-6 | SHOULDER PIN 4 | 1 | | | | |
| 018 | | 266048-4 | TAPPING SCREW 4X40 | 4 | | | | |
| 019 | | 210033-9 | BALL BEARING 696ZZ | 1 | | | | |
| 020 | | 233950-6 | RING SPRING 11 | 1 | | | | |
| 021 | | 226862-0 | SPIRAL BEVEL GEAR 37 | 1 | | | | |
| 022 | | 962151-6 | RETAINING RING R-32 | 1 | | | | |
| 023 | | 211129-9 | BALL BEARING 6201DDW | 1 | | | | |
| 024 | | 213622-9 | O RING 45 | 1 | | | | |
| 025 | | 136262-5 | BEARING BOX ASS'Y | 1 | | | | |
| | D10 | | INC. 24,31,51 | | | | | |
| 026 | | 327322-6 | SLEEVE 4 | 2 | | | | |
| 027 | | 232490-1 | COMPRESSION SPRING 4 | 1 | | | | |
| 028 | | 347641-4 | LEVER B | 1 | | | | |
| 029 | | 911159-7 | PAN HEAD SCREW M4X30 | 2 | | | | |
| 030 | | 911138-5 | P.H.SCREW M4X20 WITH WR | 2 | | | | |
| 031 | | 232542-8 | SCROW WAVE SPRING 41 | 1 | | | | |
| 032 | | 962105-3 | RETAINING RING R-26 | 1 | | | | |
| 033 | | 326672-6 | SPINDLE | 1 | | | | |
| 034 | | 310514-4 | LEAD FLANGE | 1 | | | | |
| 035 | | 347480-2 | WHEEL COVER 125 | 1 | | | | |
| 036 | | 224447-6 | INNER FLANGE 42B | 1 | | | | |
| 037 | | 224554-5 | LOCK NUT 14-45 | 1 | | | | |
| 038 | | 8005T5-8 | XGT LOGO LABEL | 1 | | | | |
| 039 | | 422610-7 | DUST COVER | 1 | | | | |
| 040 | | 183P76-9 | MOTOR HOUSING SET | 1 | | | | |
| | C10 | 263005-3 | RUBBER PIN 6 | 2 | | | | |
| | D10 | | INC. 2 | | | | | |
| 041 | | 651445-1 | SWITCH FPM-1130 | 1 | | | | |
| 042 | | 233121-5 | COMPRESSION SPRING 4 | 1 | | | | |
| 043 | | 412233-9 | SWITCH LEVER | 1 | | | | |
| 044 | | 629498-8 | STATOR COMPLETE | 1 | | | | |
| 045 | | 632P65-6 | TERMINAL UNIT | 1 | | | | |
| 046 | | 8008U5-3 | CLEAR LABEL | 1 | | | | |
| 047 | | 857H22-7 | GA023G NAME PLATE | 1 | | | | |
| 048 | | 857H28-5 | GA023G SERIAL NO. LABEL | 1 | | | | |
| 049 | | 620D30-5 | DIAL CIRCUIT | 1 | | | | |
| 050 | | 8015J1-9 | INDICATION LABEL | 1 | | | | |
| 051 | | 213510-0 | O RING 36 | 1 | | | | |
| A01 | | 158237-4 | GRIP 36 COMPLETE | 1 | | | | |
| A02 | | A-80656 | GRINDING WHEEL 125 WA36N | 1 | | | | |
| A03 | | 782423-1 | LOCK NUT WRENCH 35 | 1 | | | | |
| A04B | | 412393-7 | BATTERY COVER | 2 | | | | |

B:GA023GM201(H)

Interchange
 O : Yes
 X : No
 < : the new part can be substituted for the current.
 > : the current part can be substituted for the new.
 S : Interchangeable as a set.

(FR) GA023G / 125MM CORDLESS ANGLE GRINDER



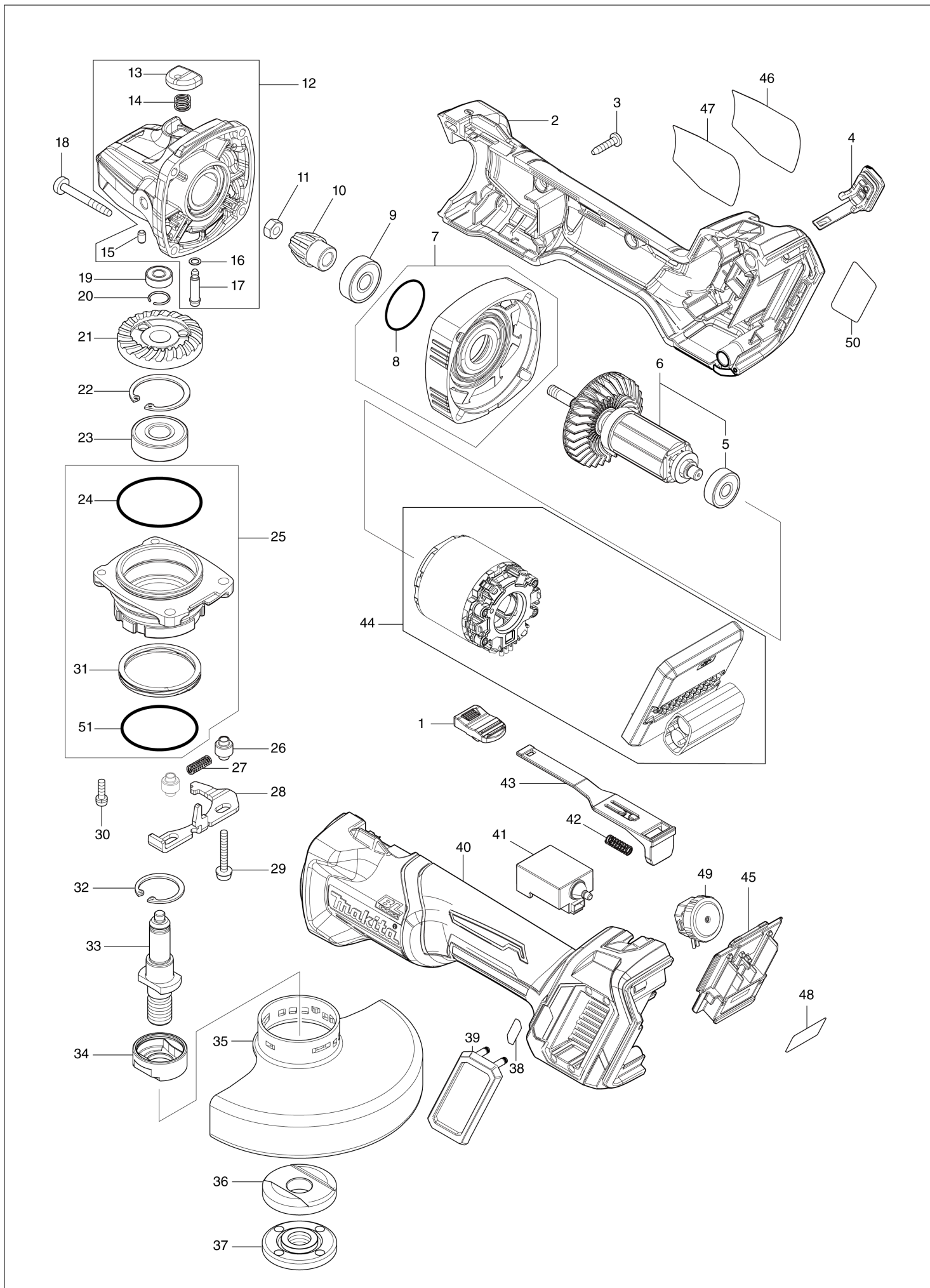
GA023G / 125MM CORDLESS ANGLE GRINDER

| Item | Sub | Parts No. | Parts Description | Qty | I/C | E/C No. | Close No. | Remark |
|------|-----|-----------|--------------------------|-----|-----|---------|-----------|--------|
| 001 | | 455447-7 | SWITCH KNOB | 1 | | | | |
| 002 | | 183P76-9 | MOTOR HOUSING SET | 1 | | | | |
| | C10 | 263005-3 | RUBBER PIN 6 | 2 | | | | |
| | D10 | | INC. 40 | | | | | |
| 003 | | 266326-2 | TAPPING SCREW 4X18 | 5 | | | | |
| 004 | | 140G30-2 | CAP COMPLETE | 1 | | | | |
| | C10 | 213218-6 | O RING 16 | 1 | | | | |
| | C20 | 818H48-4 | CAP LABEL | 1 | | | | |
| 005 | | 210023-2 | BALL BEARING 627DDW | 1 | | | | |
| 006 | | 519595-7 | ROTOR ASS'Y | 1 | | | | |
| | D10 | | INC. 5 | | | | | |
| 007 | | 136190-4 | GEAR HOUSING COVER ASS'Y | 1 | | | | |
| | D10 | | INC. 8 | | | | | |
| 008 | | 213445-5 | O-RING 26 | 1 | | | | |
| 009 | | 210042-8 | BALL BEARING 629LLB | 1 | | | | |
| 010 | | 226976-5 | SPIRAL BEVEL GEAR 10 | 1 | | | | |
| 011 | | 252186-8 | HEX. NUT M6 | 1 | | | | |
| 012 | | 136198-8 | GEAR HOUSING ASS'Y | 1 | | | | |
| | D10 | | INC. 13-17 | | | | | |
| 013 | | 412234-7 | PIN CAP | 1 | | | | |
| 014 | | 233072-2 | COMPRESSION SPRING 8 | 1 | | | | |
| 015 | | 263002-9 | RUBBER PIN 4 | 1 | | | | |
| 016 | | 213960-9 | O RING 5 | 1 | | | | |
| 017 | | 256546-6 | SHOULDER PIN 4 | 1 | | | | |
| 018 | | 266048-4 | TAPPING SCREW 4X40 | 4 | | | | |
| 019 | | 210033-9 | BALL BEARING 696ZZ | 1 | | | | |
| 020 | | 233950-6 | RING SPRING 11 | 1 | | | | |
| 021 | | 226862-0 | SPIRAL BEVEL GEAR 37 | 1 | | | | |
| 022 | | 962151-6 | RETAINING RING R-32 | 1 | | | | |
| 023 | | 211129-9 | BALL BEARING 6201DDW | 1 | | | | |
| 024 | | 213622-9 | O RING 45 | 1 | | | | |
| 025 | | 136262-5 | BEARING BOX ASS'Y | 1 | | | | |
| | D10 | | INC. 24,31,51 | | | | | |
| 026 | | 327322-6 | SLEEVE 4 | 2 | | | | |
| 027 | | 232490-1 | COMPRESSION SPRING 4 | 1 | | | | |
| 028 | | 347641-4 | LEVER B | 1 | | | | |
| 029 | | 911159-7 | PAN HEAD SCREW M4X30 | 2 | | | | |
| 030 | | 911138-5 | P.H.SCREW M4X20 WITH WR | 2 | | | | |
| 031 | | 232542-8 | SCROW WAVE SPRING 41 | 1 | | | | |
| 032 | | 962105-3 | RETAINING RING R-26 | 1 | | | | |
| 033 | | 326672-6 | SPINDLE | 1 | | | | |
| 034 | | 310514-4 | LEAD FLANGE | 1 | | | | |
| 035 | | 347480-2 | WHEEL COVER 125 | 1 | | | | |
| 036 | | 224447-6 | INNER FLANGE 42B | 1 | | | | |
| 037 | | 224554-5 | LOCK NUT 14-45 | 1 | | | | |
| 038 | | 8005T5-8 | XGT LOGO LABEL | 1 | | | | |
| 039 | | 422610-7 | DUST COVER | 1 | | | | |
| 040 | | 183P76-9 | MOTOR HOUSING SET | 1 | | | | |
| | C10 | 263005-3 | RUBBER PIN 6 | 2 | | | | |
| | D10 | | INC. 2 | | | | | |
| 041 | | 651445-1 | SWITCH FPM-1130 | 1 | | | | |
| 042 | | 233121-5 | COMPRESSION SPRING 4 | 1 | | | | |
| 043 | | 412233-9 | SWITCH LEVER | 1 | | | | |
| 044 | | 629498-8 | STATOR COMPLETE | 1 | | | | |
| 045 | | 632P65-6 | TERMINAL UNIT | 1 | | | | |
| 046 | | 8008U5-3 | CLEAR LABEL | 1 | | | | |
| 047 | | 857H22-7 | GA023G NAME PLATE | 1 | | | | |
| 048 | | 857H28-5 | GA023G SERIAL NO. LABEL | 1 | | | | |
| 049 | | 620D30-5 | DIAL CIRCUIT | 1 | | | | |
| 050 | | 8015J1-9 | INDICATION LABEL | 1 | | | | |
| 051 | | 213510-0 | O RING 36 | 1 | | | | |
| A01 | | 158237-4 | GRIP 36 COMPLETE | 1 | | | | |
| A02 | | A-80656 | GRINDING WHEEL 125 WA36N | 1 | | | | |
| A03 | | 782423-1 | LOCK NUT WRENCH 35 | 1 | | | | |
| A04B | | 412393-7 | BATTERY COVER | 2 | | | | |

A:GA023GZ01(N)
B:GA023GM201(H)

Interchange
O : Yes
X : No
< : the new part can be substituted for the current.
> : the current part can be substituted for the new.
S : Interchangeable as a set.

(IT) GA023G / 125MM CORDLESS ANGLE GRINDER



IT

ITALY

GA023G / 125MM CORDLESS ANGLE GRINDER

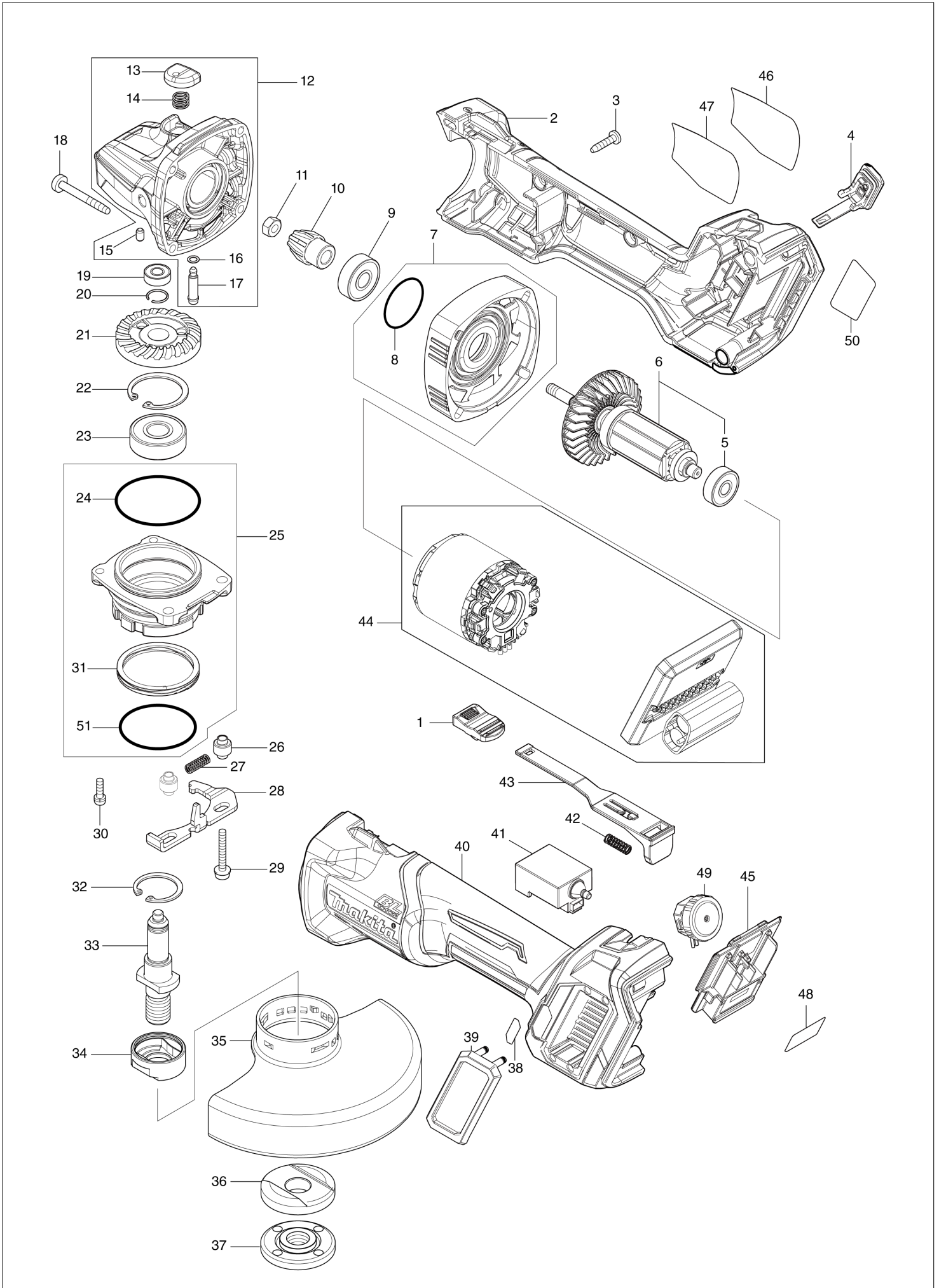
| Item | Sub | Parts No. | Parts Description | Qty | I/C | E/C No. | Close No. | Remark |
|------|-----|-----------|--------------------------|-----|-----|---------|-----------|--------|
| 001 | | 455447-7 | SWITCH KNOB | 1 | | | | |
| 002 | | 183P76-9 | MOTOR HOUSING SET | 1 | | | | |
| | C10 | 263005-3 | RUBBER PIN 6 | 2 | | | | |
| | D10 | | INC. 40 | | | | | |
| 003 | | 266326-2 | TAPPING SCREW 4X18 | 5 | | | | |
| 004 | | 140G30-2 | CAP COMPLETE | 1 | | | | |
| | C10 | 213218-6 | O RING 16 | 1 | | | | |
| | C20 | 818H48-4 | CAP LABEL | 1 | | | | |
| 005 | | 210023-2 | BALL BEARING 627DDW | 1 | | | | |
| 006 | | 519595-7 | ROTOR ASS'Y | 1 | | | | |
| | D10 | | INC. 5 | | | | | |
| 007 | | 136190-4 | GEAR HOUSING COVER ASS'Y | 1 | | | | |
| | D10 | | INC. 8 | | | | | |
| 008 | | 213445-5 | O-RING 26 | 1 | | | | |
| 009 | | 210042-8 | BALL BEARING 629LLB | 1 | | | | |
| 010 | | 226976-5 | SPIRAL BEVEL GEAR 10 | 1 | | | | |
| 011 | | 252186-8 | HEX. NUT M6 | 1 | | | | |
| 012 | | 136198-8 | GEAR HOUSING ASS'Y | 1 | | | | |
| | D10 | | INC. 13-17 | | | | | |
| 013 | | 412234-7 | PIN CAP | 1 | | | | |
| 014 | | 233072-2 | COMPRESSION SPRING 8 | 1 | | | | |
| 015 | | 263002-9 | RUBBER PIN 4 | 1 | | | | |
| 016 | | 213960-9 | O RING 5 | 1 | | | | |
| 017 | | 256546-6 | SHOULDER PIN 4 | 1 | | | | |
| 018 | | 266048-4 | TAPPING SCREW 4X40 | 4 | | | | |
| 019 | | 210033-9 | BALL BEARING 696ZZ | 1 | | | | |
| 020 | | 233950-6 | RING SPRING 11 | 1 | | | | |
| 021 | | 226862-0 | SPIRAL BEVEL GEAR 37 | 1 | | | | |
| 022 | | 962151-6 | RETAINING RING R-32 | 1 | | | | |
| 023 | | 211129-9 | BALL BEARING 6201DDW | 1 | | | | |
| 024 | | 213622-9 | O RING 45 | 1 | | | | |
| 025 | | 136262-5 | BEARING BOX ASS'Y | 1 | | | | |
| | D10 | | INC. 24,31,51 | | | | | |
| 026 | | 327322-6 | SLEEVE 4 | 2 | | | | |
| 027 | | 232490-1 | COMPRESSION SPRING 4 | 1 | | | | |
| 028 | | 347641-4 | LEVER B | 1 | | | | |
| 029 | | 911159-7 | PAN HEAD SCREW M4X30 | 2 | | | | |
| 030 | | 911138-5 | P.H.SCREW M4X20 WITH WR | 2 | | | | |
| 031 | | 232542-8 | SCROW WAVE SPRING 41 | 1 | | | | |
| 032 | | 962105-3 | RETAINING RING R-26 | 1 | | | | |
| 033 | | 326672-6 | SPINDLE | 1 | | | | |
| 034 | | 310514-4 | LEAD FLANGE | 1 | | | | |
| 035 | | 347480-2 | WHEEL COVER 125 | 1 | | | | |
| 036 | | 224447-6 | INNER FLANGE 42B | 1 | | | | |
| 037 | | 224554-5 | LOCK NUT 14-45 | 1 | | | | |
| 038 | | 8005T5-8 | XGT LOGO LABEL | 1 | | | | |
| 039 | | 422610-7 | DUST COVER | 1 | | | | |
| 040 | | 183P76-9 | MOTOR HOUSING SET | 1 | | | | |
| | C10 | 263005-3 | RUBBER PIN 6 | 2 | | | | |
| | D10 | | INC. 2 | | | | | |
| 041 | | 651445-1 | SWITCH FPM-1130 | 1 | | | | |
| 042 | | 233121-5 | COMPRESSION SPRING 4 | 1 | | | | |
| 043 | | 412233-9 | SWITCH LEVER | 1 | | | | |
| 044 | | 629498-8 | STATOR COMPLETE | 1 | | | | |
| 045 | | 632P65-6 | TERMINAL UNIT | 1 | | | | |
| 046 | | 8008U5-3 | CLEAR LABEL | 1 | | | | |
| 047 | | 857H22-7 | GA023G NAME PLATE | 1 | | | | |
| 048 | | 857H28-5 | GA023G SERIAL NO. LABEL | 1 | | | | |
| 049 | | 620D30-5 | DIAL CIRCUIT | 1 | | | | |
| 050 | | 8015J1-9 | INDICATION LABEL | 1 | | | | |
| 051 | | 213510-0 | O RING 36 | 1 | | | | |
| A01 | | 158237-4 | GRIP 36 COMPLETE | 1 | | | | |
| A02 | | A-80656 | GRINDING WHEEL 125 WA36N | 1 | | | | |
| A03 | | 782423-1 | LOCK NUT WRENCH 35 | 1 | | | | |
| A04B | | 412393-7 | BATTERY COVER | 2 | | | | |

A:GA023GZ01(N)
B:GA023GM201(H)

Interchange
O : Yes
X : No
< : the new part can be substituted for the current.
> : the current part can be substituted for the new.
S : Interchangeable as a set.

IT

(NL) GA023G / 125MM CORDLESS ANGLE GRINDER



GA023G / 125MM CORDLESS ANGLE GRINDER

| Item | Sub | Parts No. | Parts Description | Qty | I/C | E/C No. | Close No. | Remark |
|------|-----|-----------|--------------------------|-----|-----|---------|-----------|--------|
| 001 | | 455447-7 | SWITCH KNOB | 1 | | | | |
| 002 | | 183P76-9 | MOTOR HOUSING SET | 1 | | | | |
| | C10 | 263005-3 | RUBBER PIN 6 | 2 | | | | |
| | D10 | | INC. 40 | | | | | |
| 003 | | 266326-2 | TAPPING SCREW 4X18 | 5 | | | | |
| 004 | | 140G30-2 | CAP COMPLETE | 1 | | | | |
| | C10 | 213218-6 | O RING 16 | 1 | | | | |
| | C20 | 818H48-4 | CAP LABEL | 1 | | | | |
| 005 | | 210023-2 | BALL BEARING 627DDW | 1 | | | | |
| 006 | | 519595-7 | ROTOR ASS'Y | 1 | | | | |
| | D10 | | INC. 5 | | | | | |
| 007 | | 136190-4 | GEAR HOUSING COVER ASS'Y | 1 | | | | |
| | D10 | | INC. 8 | | | | | |
| 008 | | 213445-5 | O-RING 26 | 1 | | | | |
| 009 | | 210042-8 | BALL BEARING 629LLB | 1 | | | | |
| 010 | | 226976-5 | SPIRAL BEVEL GEAR 10 | 1 | | | | |
| 011 | | 252186-8 | HEX. NUT M6 | 1 | | | | |
| 012 | | 136198-8 | GEAR HOUSING ASS'Y | 1 | | | | |
| | D10 | | INC. 13-17 | | | | | |
| 013 | | 412234-7 | PIN CAP | 1 | | | | |
| 014 | | 233072-2 | COMPRESSION SPRING 8 | 1 | | | | |
| 015 | | 263002-9 | RUBBER PIN 4 | 1 | | | | |
| 016 | | 213960-9 | O RING 5 | 1 | | | | |
| 017 | | 256546-6 | SHOULDER PIN 4 | 1 | | | | |
| 018 | | 266048-4 | TAPPING SCREW 4X40 | 4 | | | | |
| 019 | | 210033-9 | BALL BEARING 696ZZ | 1 | | | | |
| 020 | | 233950-6 | RING SPRING 11 | 1 | | | | |
| 021 | | 226862-0 | SPIRAL BEVEL GEAR 37 | 1 | | | | |
| 022 | | 962151-6 | RETAINING RING R-32 | 1 | | | | |
| 023 | | 211129-9 | BALL BEARING 6201DDW | 1 | | | | |
| 024 | | 213622-9 | O RING 45 | 1 | | | | |
| 025 | | 136262-5 | BEARING BOX ASS'Y | 1 | | | | |
| | D10 | | INC. 24,31,51 | | | | | |
| 026 | | 327322-6 | SLEEVE 4 | 2 | | | | |
| 027 | | 232490-1 | COMPRESSION SPRING 4 | 1 | | | | |
| 028 | | 347641-4 | LEVER B | 1 | | | | |
| 029 | | 911159-7 | PAN HEAD SCREW M4X30 | 2 | | | | |
| 030 | | 911138-5 | P.H.SCREW M4X20 WITH WR | 2 | | | | |
| 031 | | 232542-8 | SCROW WAVE SPRING 41 | 1 | | | | |
| 032 | | 962105-3 | RETAINING RING R-26 | 1 | | | | |
| 033 | | 326672-6 | SPINDLE | 1 | | | | |
| 034 | | 310514-4 | LEAD FLANGE | 1 | | | | |
| 035 | | 347480-2 | WHEEL COVER 125 | 1 | | | | |
| 036 | | 224447-6 | INNER FLANGE 42B | 1 | | | | |
| 037 | | 224554-5 | LOCK NUT 14-45 | 1 | | | | |
| 038 | | 8005T5-8 | XGT LOGO LABEL | 1 | | | | |
| 039 | | 422610-7 | DUST COVER | 1 | | | | |
| 040 | | 183P76-9 | MOTOR HOUSING SET | 1 | | | | |
| | C10 | 263005-3 | RUBBER PIN 6 | 2 | | | | |
| | D10 | | INC. 2 | | | | | |
| 041 | | 651445-1 | SWITCH FPM-1130 | 1 | | | | |
| 042 | | 233121-5 | COMPRESSION SPRING 4 | 1 | | | | |
| 043 | | 412233-9 | SWITCH LEVER | 1 | | | | |
| 044 | | 629498-8 | STATOR COMPLETE | 1 | | | | |
| 045 | | 632P65-6 | TERMINAL UNIT | 1 | | | | |
| 046 | | 8008U5-3 | CLEAR LABEL | 1 | | | | |
| 047 | | 857H22-7 | GA023G NAME PLATE | 1 | | | | |
| 048 | | 857H28-5 | GA023G SERIAL NO. LABEL | 1 | | | | |
| 049 | | 620D30-5 | DIAL CIRCUIT | 1 | | | | |
| 050 | | 8015J1-9 | INDICATION LABEL | 1 | | | | |
| 051 | | 213510-0 | O RING 36 | 1 | | | | |
| A01 | | 158237-4 | GRIP 36 COMPLETE | 1 | | | | |
| A02 | | A-80656 | GRINDING WHEEL 125 WA36N | 1 | | | | |
| A03 | | 782423-1 | LOCK NUT WRENCH 35 | 1 | | | | |
| A04B | | 412393-7 | BATTERY COVER | 2 | | | | |

B:GA023GM201(H)

Interchange

O : Yes

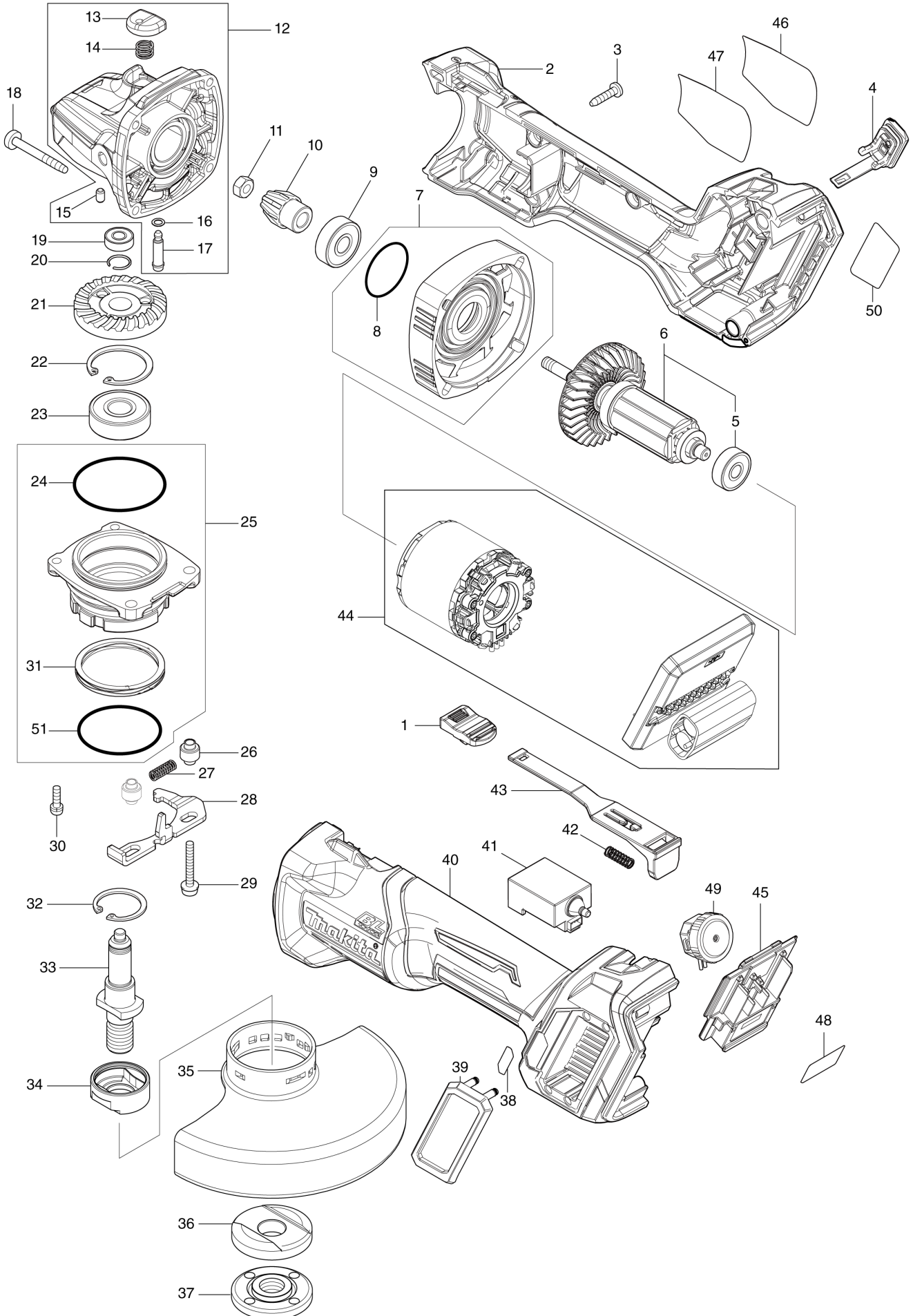
X : No

< : the new part can be substituted for the current.

> : the current part can be substituted for the new.

S : Interchangeable as a set.

(PL) GA023G / 125MM CORDLESS ANGLE GRINDER



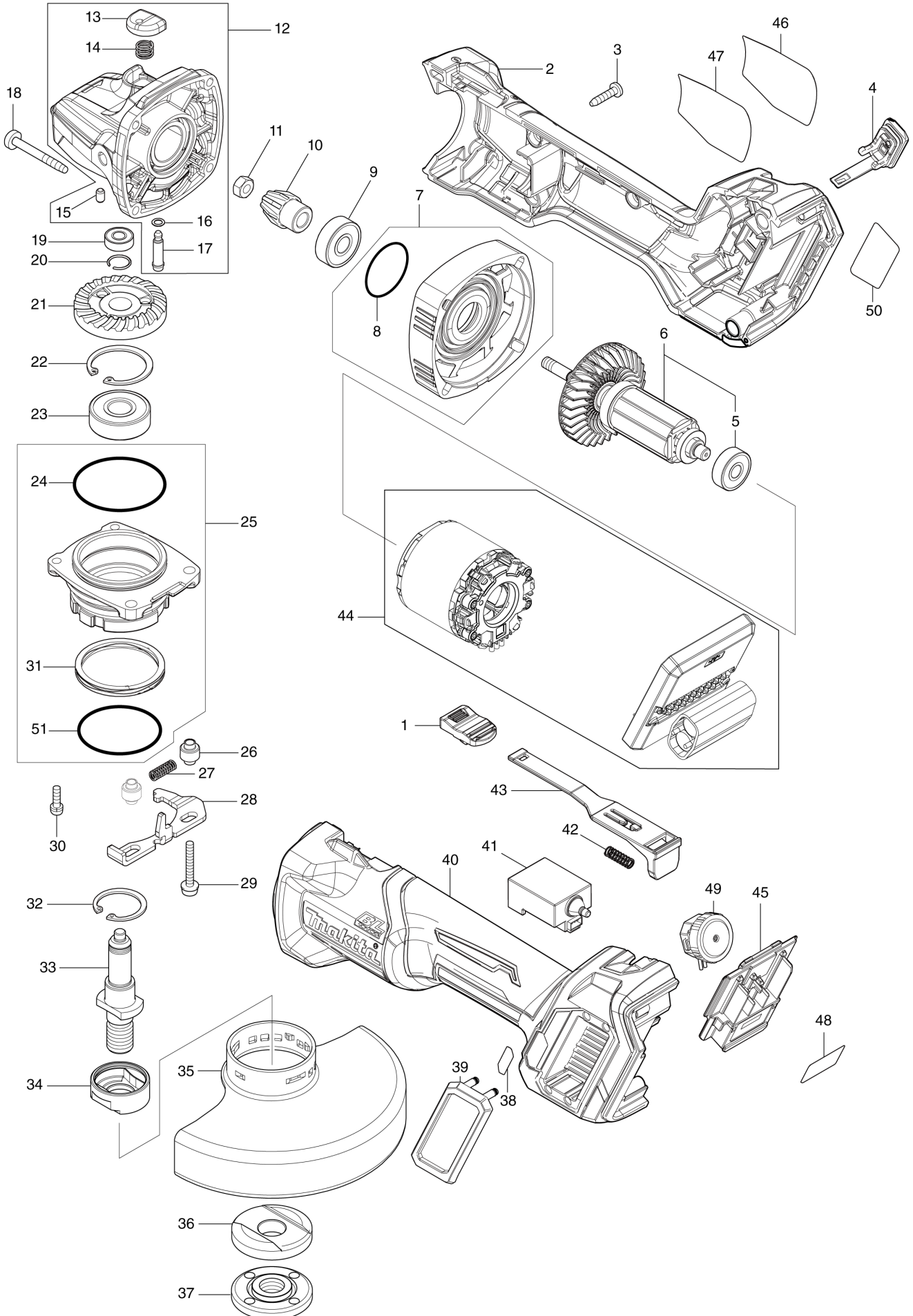
GA023G / 125MM CORDLESS ANGLE GRINDER

| Item | Sub | Parts No. | Parts Description | Qty | I/C | E/C No. | Close No. | Remark |
|------|-----|-----------|--------------------------|-----|-----|---------|-----------|--------|
| 001 | | 455447-7 | SWITCH KNOB | 1 | | | | |
| 002 | | 183P76-9 | MOTOR HOUSING SET | 1 | | | | |
| | C10 | 263005-3 | RUBBER PIN 6 | 2 | | | | |
| | D10 | | INC. 40 | | | | | |
| 003 | | 266326-2 | TAPPING SCREW 4X18 | 5 | | | | |
| 004 | | 140G30-2 | CAP COMPLETE | 1 | | | | |
| | C10 | 213218-6 | O RING 16 | 1 | | | | |
| | C20 | 818H48-4 | CAP LABEL | 1 | | | | |
| 005 | | 210023-2 | BALL BEARING 627DDW | 1 | | | | |
| 006 | | 519595-7 | ROTOR ASS'Y | 1 | | | | |
| | D10 | | INC. 5 | | | | | |
| 007 | | 136190-4 | GEAR HOUSING COVER ASS'Y | 1 | | | | |
| | D10 | | INC. 8 | | | | | |
| 008 | | 213445-5 | O-RING 26 | 1 | | | | |
| 009 | | 210042-8 | BALL BEARING 629LLB | 1 | | | | |
| 010 | | 226976-5 | SPIRAL BEVEL GEAR 10 | 1 | | | | |
| 011 | | 252186-8 | HEX. NUT M6 | 1 | | | | |
| 012 | | 136198-8 | GEAR HOUSING ASS'Y | 1 | | | | |
| | D10 | | INC. 13-17 | | | | | |
| 013 | | 412234-7 | PIN CAP | 1 | | | | |
| 014 | | 233072-2 | COMPRESSION SPRING 8 | 1 | | | | |
| 015 | | 263002-9 | RUBBER PIN 4 | 1 | | | | |
| 016 | | 213960-9 | O RING 5 | 1 | | | | |
| 017 | | 256546-6 | SHOULDER PIN 4 | 1 | | | | |
| 018 | | 266048-4 | TAPPING SCREW 4X40 | 4 | | | | |
| 019 | | 210033-9 | BALL BEARING 696ZZ | 1 | | | | |
| 020 | | 233950-6 | RING SPRING 11 | 1 | | | | |
| 021 | | 226862-0 | SPIRAL BEVEL GEAR 37 | 1 | | | | |
| 022 | | 962151-6 | RETAINING RING R-32 | 1 | | | | |
| 023 | | 211129-9 | BALL BEARING 6201DDW | 1 | | | | |
| 024 | | 213622-9 | O RING 45 | 1 | | | | |
| 025 | | 136262-5 | BEARING BOX ASS'Y | 1 | | | | |
| | D10 | | INC. 24,31,51 | | | | | |
| 026 | | 327322-6 | SLEEVE 4 | 2 | | | | |
| 027 | | 232490-1 | COMPRESSION SPRING 4 | 1 | | | | |
| 028 | | 347641-4 | LEVER B | 1 | | | | |
| 029 | | 911159-7 | PAN HEAD SCREW M4X30 | 2 | | | | |
| 030 | | 911138-5 | P.H.SCREW M4X20 WITH WR | 2 | | | | |
| 031 | | 232542-8 | SCROW WAVE SPRING 41 | 1 | | | | |
| 032 | | 962105-3 | RETAINING RING R-26 | 1 | | | | |
| 033 | | 326672-6 | SPINDLE | 1 | | | | |
| 034 | | 310514-4 | LEAD FLANGE | 1 | | | | |
| 035 | | 347480-2 | WHEEL COVER 125 | 1 | | | | |
| 036 | | 224447-6 | INNER FLANGE 42B | 1 | | | | |
| 037 | | 224554-5 | LOCK NUT 14-45 | 1 | | | | |
| 038 | | 8005T5-8 | XGT LOGO LABEL | 1 | | | | |
| 039 | | 422610-7 | DUST COVER | 1 | | | | |
| 040 | | 183P76-9 | MOTOR HOUSING SET | 1 | | | | |
| | C10 | 263005-3 | RUBBER PIN 6 | 2 | | | | |
| | D10 | | INC. 2 | | | | | |
| 041 | | 651445-1 | SWITCH FPM-1130 | 1 | | | | |
| 042 | | 233121-5 | COMPRESSION SPRING 4 | 1 | | | | |
| 043 | | 412233-9 | SWITCH LEVER | 1 | | | | |
| 044 | | 629498-8 | STATOR COMPLETE | 1 | | | | |
| 045 | | 632P65-6 | TERMINAL UNIT | 1 | | | | |
| 046 | | 8008U5-3 | CLEAR LABEL | 1 | | | | |
| 047 | | 857H22-7 | GA023G NAME PLATE | 1 | | | | |
| 048 | | 857H28-5 | GA023G SERIAL NO. LABEL | 1 | | | | |
| 049 | | 620D30-5 | DIAL CIRCUIT | 1 | | | | |
| 050 | | 8015J1-9 | INDICATION LABEL | 1 | | | | |
| 051 | | 213510-0 | O RING 36 | 1 | | | | |
| A01 | | 158237-4 | GRIP 36 COMPLETE | 1 | | | | |
| A02 | | A-80656 | GRINDING WHEEL 125 WA36N | 1 | | | | |
| A03 | | 782423-1 | LOCK NUT WRENCH 35 | 1 | | | | |
| A04B | | 412393-7 | BATTERY COVER | 2 | | | | |

B:GA023GD201(H)
C:GA023GM201(H)

Interchange
O : Yes
X : No
< : the new part can be substituted for the current.
> : the current part can be substituted for the new.
S : Interchangeable as a set.

(SE) GA023G / 125MM CORDLESS ANGLE GRINDER



GA023G / 125MM CORDLESS ANGLE GRINDER

| Item | Sub | Parts No. | Parts Description | Qty | I/C | E/C No. | Close No. | Remark |
|------|-----|-----------|--------------------------|-----|-----|---------|-----------|--------|
| 001 | | 455447-7 | SWITCH KNOB | 1 | | | | |
| 002 | | 183P76-9 | MOTOR HOUSING SET | 1 | | | | |
| | C10 | 263005-3 | RUBBER PIN 6 | 2 | | | | |
| | D10 | | INC. 40 | | | | | |
| 003 | | 266326-2 | TAPPING SCREW 4X18 | 5 | | | | |
| 004 | | 140G30-2 | CAP COMPLETE | 1 | | | | |
| | C10 | 213218-6 | O RING 16 | 1 | | | | |
| | C20 | 818H48-4 | CAP LABEL | 1 | | | | |
| 005 | | 210023-2 | BALL BEARING 627DDW | 1 | | | | |
| 006 | | 519595-7 | ROTOR ASS'Y | 1 | | | | |
| | D10 | | INC. 5 | | | | | |
| 007 | | 136190-4 | GEAR HOUSING COVER ASS'Y | 1 | | | | |
| | D10 | | INC. 8 | | | | | |
| 008 | | 213445-5 | O-RING 26 | 1 | | | | |
| 009 | | 210042-8 | BALL BEARING 629LLB | 1 | | | | |
| 010 | | 226976-5 | SPIRAL BEVEL GEAR 10 | 1 | | | | |
| 011 | | 252186-8 | HEX. NUT M6 | 1 | | | | |
| 012 | | 136198-8 | GEAR HOUSING ASS'Y | 1 | | | | |
| | D10 | | INC. 13-17 | | | | | |
| 013 | | 412234-7 | PIN CAP | 1 | | | | |
| 014 | | 233072-2 | COMPRESSION SPRING 8 | 1 | | | | |
| 015 | | 263002-9 | RUBBER PIN 4 | 1 | | | | |
| 016 | | 213960-9 | O RING 5 | 1 | | | | |
| 017 | | 256546-6 | SHOULDER PIN 4 | 1 | | | | |
| 018 | | 266048-4 | TAPPING SCREW 4X40 | 4 | | | | |
| 019 | | 210033-9 | BALL BEARING 696ZZ | 1 | | | | |
| 020 | | 233950-6 | RING SPRING 11 | 1 | | | | |
| 021 | | 226862-0 | SPIRAL BEVEL GEAR 37 | 1 | | | | |
| 022 | | 962151-6 | RETAINING RING R-32 | 1 | | | | |
| 023 | | 211129-9 | BALL BEARING 6201DDW | 1 | | | | |
| 024 | | 213622-9 | O RING 45 | 1 | | | | |
| 025 | | 136262-5 | BEARING BOX ASS'Y | 1 | | | | |
| | D10 | | INC. 24,31,51 | | | | | |
| 026 | | 327322-6 | SLEEVE 4 | 2 | | | | |
| 027 | | 232490-1 | COMPRESSION SPRING 4 | 1 | | | | |
| 028 | | 347641-4 | LEVER B | 1 | | | | |
| 029 | | 911159-7 | PAN HEAD SCREW M4X30 | 2 | | | | |
| 030 | | 911138-5 | P.H.SCREW M4X20 WITH WR | 2 | | | | |
| 031 | | 232542-8 | SCROW WAVE SPRING 41 | 1 | | | | |
| 032 | | 962105-3 | RETAINING RING R-26 | 1 | | | | |
| 033 | | 326672-6 | SPINDLE | 1 | | | | |
| 034 | | 310514-4 | LEAD FLANGE | 1 | | | | |
| 035 | | 347480-2 | WHEEL COVER 125 | 1 | | | | |
| 036 | | 224447-6 | INNER FLANGE 42B | 1 | | | | |
| 037 | | 224554-5 | LOCK NUT 14-45 | 1 | | | | |
| 038 | | 8005T5-8 | XGT LOGO LABEL | 1 | | | | |
| 039 | | 422610-7 | DUST COVER | 1 | | | | |
| 040 | | 183P76-9 | MOTOR HOUSING SET | 1 | | | | |
| | C10 | 263005-3 | RUBBER PIN 6 | 2 | | | | |
| | D10 | | INC. 2 | | | | | |
| 041 | | 651445-1 | SWITCH FPM-1130 | 1 | | | | |
| 042 | | 233121-5 | COMPRESSION SPRING 4 | 1 | | | | |
| 043 | | 412233-9 | SWITCH LEVER | 1 | | | | |
| 044 | | 629498-8 | STATOR COMPLETE | 1 | | | | |
| 045 | | 632P65-6 | TERMINAL UNIT | 1 | | | | |
| 046 | | 8008U5-3 | CLEAR LABEL | 1 | | | | |
| 047 | | 857H22-7 | GA023G NAME PLATE | 1 | | | | |
| 048 | | 857H28-5 | GA023G SERIAL NO. LABEL | 1 | | | | |
| 049 | | 620D30-5 | DIAL CIRCUIT | 1 | | | | |
| 050 | | 8015J1-9 | INDICATION LABEL | 1 | | | | |
| 051 | | 213510-0 | O RING 36 | 1 | | | | |
| A01 | | 158237-4 | GRIP 36 COMPLETE | 1 | | | | |
| A02 | | A-80656 | GRINDING WHEEL 125 WA36N | 1 | | | | |
| A03 | | 782423-1 | LOCK NUT WRENCH 35 | 1 | | | | |
| A04B | | 412393-7 | BATTERY COVER | 2 | | | | |

B:GA023GM201(H)

Interchange

O : Yes

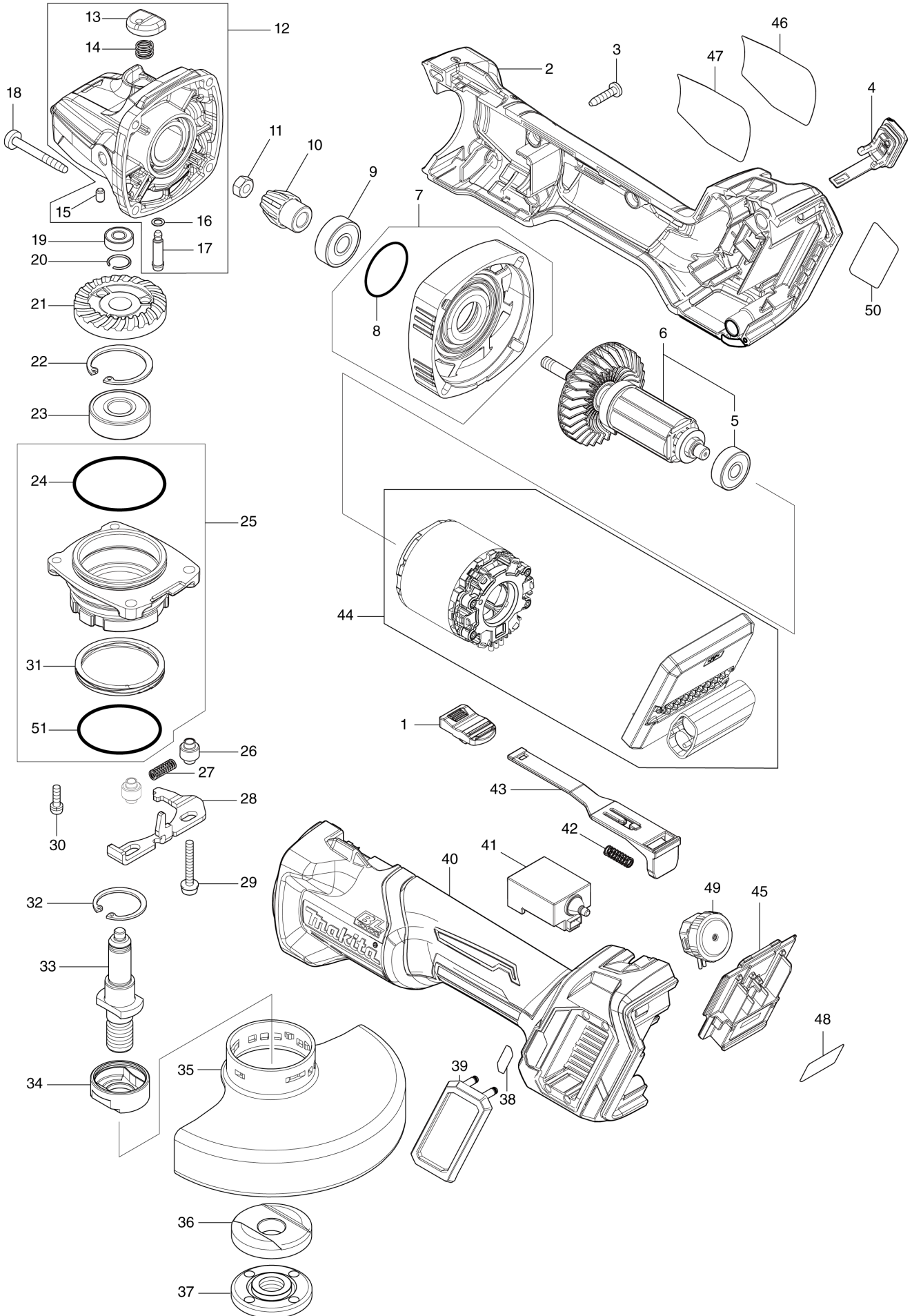
X : No

< : the new part can be substituted for the current.

> : the current part can be substituted for the new.

S : Interchangeable as a set.

(SI) GA023G / 125MM CORDLESS ANGLE GRINDER



GA023G / 125MM CORDLESS ANGLE GRINDER

| Item | Sub | Parts No. | Parts Description | Qty | I/C | E/C No. | Close No. | Remark |
|------|-----|-----------|--------------------------|-----|-----|---------|-----------|--------|
| 001 | | 455447-7 | SWITCH KNOB | 1 | | | | |
| 002 | | 183P76-9 | MOTOR HOUSING SET | 1 | | | | |
| | C10 | 263005-3 | RUBBER PIN 6 | 2 | | | | |
| | D10 | | INC. 40 | | | | | |
| 003 | | 266326-2 | TAPPING SCREW 4X18 | 5 | | | | |
| 004 | | 140G30-2 | CAP COMPLETE | 1 | | | | |
| | C10 | 213218-6 | O RING 16 | 1 | | | | |
| | C20 | 818H48-4 | CAP LABEL | 1 | | | | |
| 005 | | 210023-2 | BALL BEARING 627DDW | 1 | | | | |
| 006 | | 519595-7 | ROTOR ASS'Y | 1 | | | | |
| | D10 | | INC. 5 | | | | | |
| 007 | | 136190-4 | GEAR HOUSING COVER ASS'Y | 1 | | | | |
| | D10 | | INC. 8 | | | | | |
| 008 | | 213445-5 | O-RING 26 | 1 | | | | |
| 009 | | 210042-8 | BALL BEARING 629LLB | 1 | | | | |
| 010 | | 226976-5 | SPIRAL BEVEL GEAR 10 | 1 | | | | |
| 011 | | 252186-8 | HEX. NUT M6 | 1 | | | | |
| 012 | | 136198-8 | GEAR HOUSING ASS'Y | 1 | | | | |
| | D10 | | INC. 13-17 | | | | | |
| 013 | | 412234-7 | PIN CAP | 1 | | | | |
| 014 | | 233072-2 | COMPRESSION SPRING 8 | 1 | | | | |
| 015 | | 263002-9 | RUBBER PIN 4 | 1 | | | | |
| 016 | | 213960-9 | O RING 5 | 1 | | | | |
| 017 | | 256546-6 | SHOULDER PIN 4 | 1 | | | | |
| 018 | | 266048-4 | TAPPING SCREW 4X40 | 4 | | | | |
| 019 | | 210033-9 | BALL BEARING 696ZZ | 1 | | | | |
| 020 | | 233950-6 | RING SPRING 11 | 1 | | | | |
| 021 | | 226862-0 | SPIRAL BEVEL GEAR 37 | 1 | | | | |
| 022 | | 962151-6 | RETAINING RING R-32 | 1 | | | | |
| 023 | | 211129-9 | BALL BEARING 6201DDW | 1 | | | | |
| 024 | | 213622-9 | O RING 45 | 1 | | | | |
| 025 | | 136262-5 | BEARING BOX ASS'Y | 1 | | | | |
| | D10 | | INC. 24,31,51 | | | | | |
| 026 | | 327322-6 | SLEEVE 4 | 2 | | | | |
| 027 | | 232490-1 | COMPRESSION SPRING 4 | 1 | | | | |
| 028 | | 347641-4 | LEVER B | 1 | | | | |
| 029 | | 911159-7 | PAN HEAD SCREW M4X30 | 2 | | | | |
| 030 | | 911138-5 | P.H.SCREW M4X20 WITH WR | 2 | | | | |
| 031 | | 232542-8 | SCROW WAVE SPRING 41 | 1 | | | | |
| 032 | | 962105-3 | RETAINING RING R-26 | 1 | | | | |
| 033 | | 326672-6 | SPINDLE | 1 | | | | |
| 034 | | 310514-4 | LEAD FLANGE | 1 | | | | |
| 035 | | 347480-2 | WHEEL COVER 125 | 1 | | | | |
| 036 | | 224447-6 | INNER FLANGE 42B | 1 | | | | |
| 037 | | 224554-5 | LOCK NUT 14-45 | 1 | | | | |
| 038 | | 8005T5-8 | XGT LOGO LABEL | 1 | | | | |
| 039 | | 422610-7 | DUST COVER | 1 | | | | |
| 040 | | 183P76-9 | MOTOR HOUSING SET | 1 | | | | |
| | C10 | 263005-3 | RUBBER PIN 6 | 2 | | | | |
| | D10 | | INC. 2 | | | | | |
| 041 | | 651445-1 | SWITCH FPM-1130 | 1 | | | | |
| 042 | | 233121-5 | COMPRESSION SPRING 4 | 1 | | | | |
| 043 | | 412233-9 | SWITCH LEVER | 1 | | | | |
| 044 | | 629498-8 | STATOR COMPLETE | 1 | | | | |
| 045 | | 632P65-6 | TERMINAL UNIT | 1 | | | | |
| 046 | | 8008U5-3 | CLEAR LABEL | 1 | | | | |
| 047 | | 857H22-7 | GA023G NAME PLATE | 1 | | | | |
| 048 | | 857H28-5 | GA023G SERIAL NO. LABEL | 1 | | | | |
| 049 | | 620D30-5 | DIAL CIRCUIT | 1 | | | | |
| 050 | | 8015J1-9 | INDICATION LABEL | 1 | | | | |
| 051 | | 213510-0 | O RING 36 | 1 | | | | |
| A01 | | 158237-4 | GRIP 36 COMPLETE | 1 | | | | |
| A02 | | A-80656 | GRINDING WHEEL 125 WA36N | 1 | | | | |
| A03 | | 782423-1 | LOCK NUT WRENCH 35 | 1 | | | | |
| A04B | | 412393-7 | BATTERY COVER | 2 | | | | |

B:GA023GD201(H)
C:GA023GM201(H)

Interchange
O : Yes
X : No
< : the new part can be substituted for the current.
> : the current part can be substituted for the new.
S : Interchangeable as a set.

