



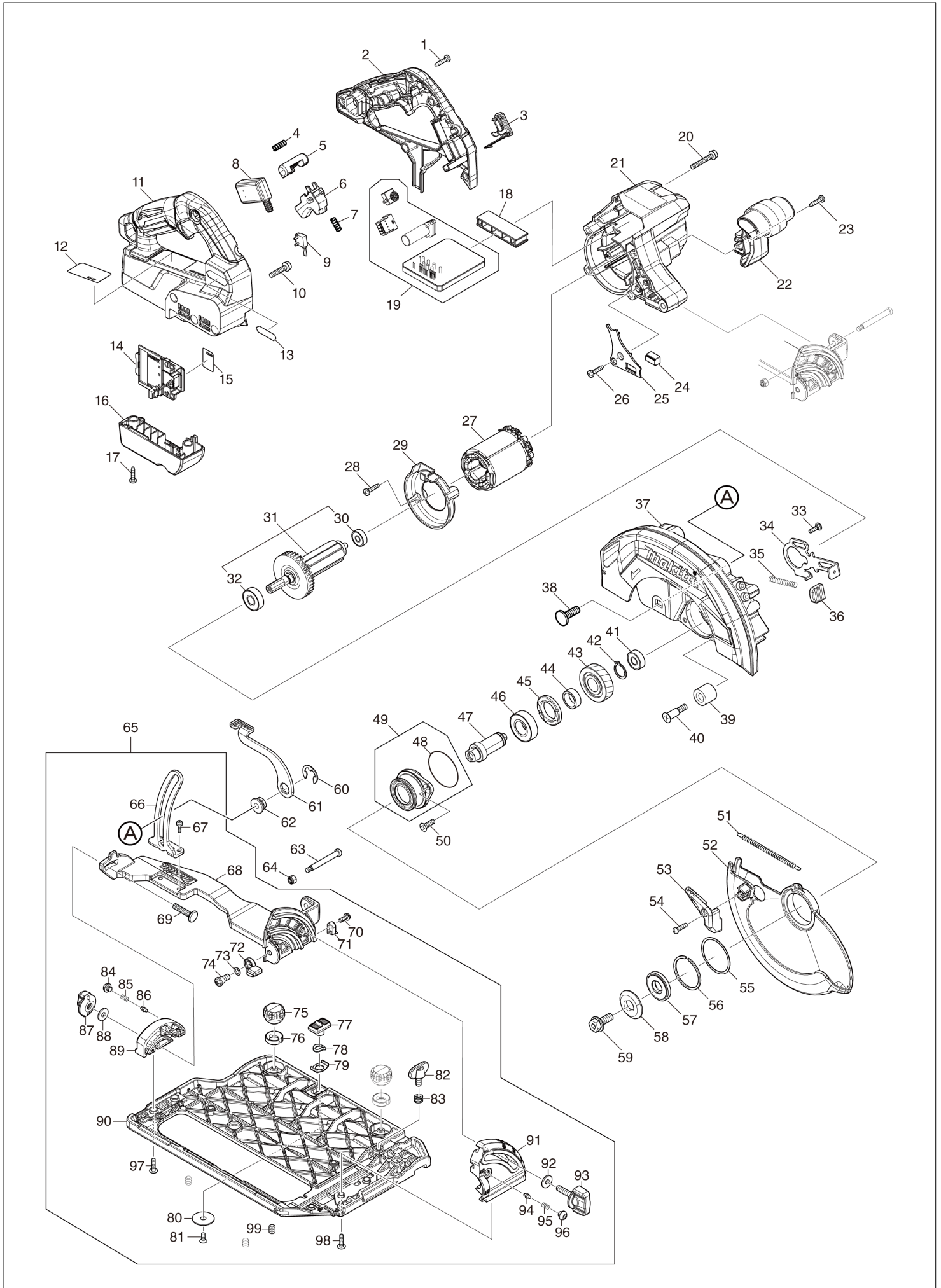
- AT
- BE
- CH
- DE
- ES
- FR
- IT
- NL
- PL
- SE
- SI

Diagram / Parts List

HS004G

185MM CORDLESS CIRCULAR SAW

(AT) HS004G / 185MM CORDLESS CIRCULAR SAW



HS004G / 185MM CORDLESS CIRCULAR SAW

Item	Sub	Parts No.	Parts Description	Qty	I/C	E/C No.	Close No.	Remark
001		266326-2	TAPPING SCREW 4X18	6				
002		183R15-1	HANDLE SET	1				
	C10	263005-3	RUBBER PIN 6	1				
	D10		INC. 11					
003		140F99-0	CAP COMPLETE	1				
	C10	213218-6	O RING 16	1				
	C20	818H07-8	CAP LABEL	1				
004		231433-0	COMPRESSION SPRING 4	1				
005		419704-7	LOCK OFF BUTTON	1				
006		458594-3	SWITCH LEVER	1				
007		231433-0	COMPRESSION SPRING 4	1				
008		651083-9	SWITCH C3XA-1PSPM	1				
009		632M92-5	SWITCH UNIT	1				
010		911243-8	PAN HEAD SCREW M5X25	3				
011		183R15-1	HANDLE SET	1				
	C10	263005-3	RUBBER PIN 6	1				
	D10		INC. 2					
012		857E51-2	HS004G NAME PLATE	1				
013		8012U4-2	XGT LOGO LABEL	1				
014		632P65-6	TERMINAL UNIT	1				
015		857E58-8	HS004G SERIAL NO. LABEL	1				
016		140S46-9	TERMINAL HOUSING COMPLETE	1				
	C10	263005-3	RUBBER PIN 6	1				
017		266326-2	TAPPING SCREW 4X18	2				
018		412480-2	SPACER	1				
019		620D01-2	CONTROLLER	1				
020		911258-5	PAN HEAD SCREW M5X35	4				
021		458746-6	MOTOR HOUSING	1				
022		458750-5	FRONT GRIP	1				
023		266326-2	TAPPING SCREW 4X18	1				
024		620936-3	LED CIRCUIT	1				
025		458751-3	LIGHT COVER	1				
026		266326-2	TAPPING SCREW 4X18	1				
027		629479-2	STATOR	1				
028		266326-2	TAPPING SCREW 4X18	2				
029		458749-0	BAFFLE PLATE	1				
030		210022-4	BALL BEARING 626DDW	1				
031		519534-7	ROTOR ASSY	1				
	D10		INC. 30,32					
032		210059-1	BALL BEARING 6000DDW	1				
033		251529-1	+ PAN HEAD SCREW M4X14	1				
034		347676-5	SHAFT LOCK	1				
035		233084-5	COMPRESSION SPRING 6	1				
036		286039-9	CAP	1				
037		140S42-7	BLADE CASE COMPLETE	1				
	C10	213434-0	O RING 26	1				
	C20	263005-3	RUBBER PIN 6	1				
	C30	818C45-0	SCALE LABEL	1				
038		266396-1	FLATHEAD SQUARENECKBOLT M8X24	1				
039		262185-2	RUBBER SLEEVE8	1				
040		251572-0	+ COUNTERSUNK HEAD SCREW M6X3	1				
041		210029-0	BALL BEARING 608ZZ	1				
042		961057-5	RETAINING RING S-17	1				
043		226838-7	HELICAL GEAR 37	1				
044		257451-0	RING 17	1				
045		285809-3	BEARING RETAINER 23-36	1				
046		210301-0	BALL BEARING 6003DDW	1				
047		327192-3	SPINDLE	1				
048		213565-5	O RING 42	1				
049		136021-7	BEARING BOX ASSY	1				
	D10		INC. 48					
050		265034-2	+ COUNTERSUNK HEAD SCREW M5X1	2				
051		232467-6	TENSION SPRING 4	1				
052		319970-5	SAFETY COVER	1				
053		271450-8	LEVER 37	1				

B:HS004GM201(H)

Interchange

O : Yes

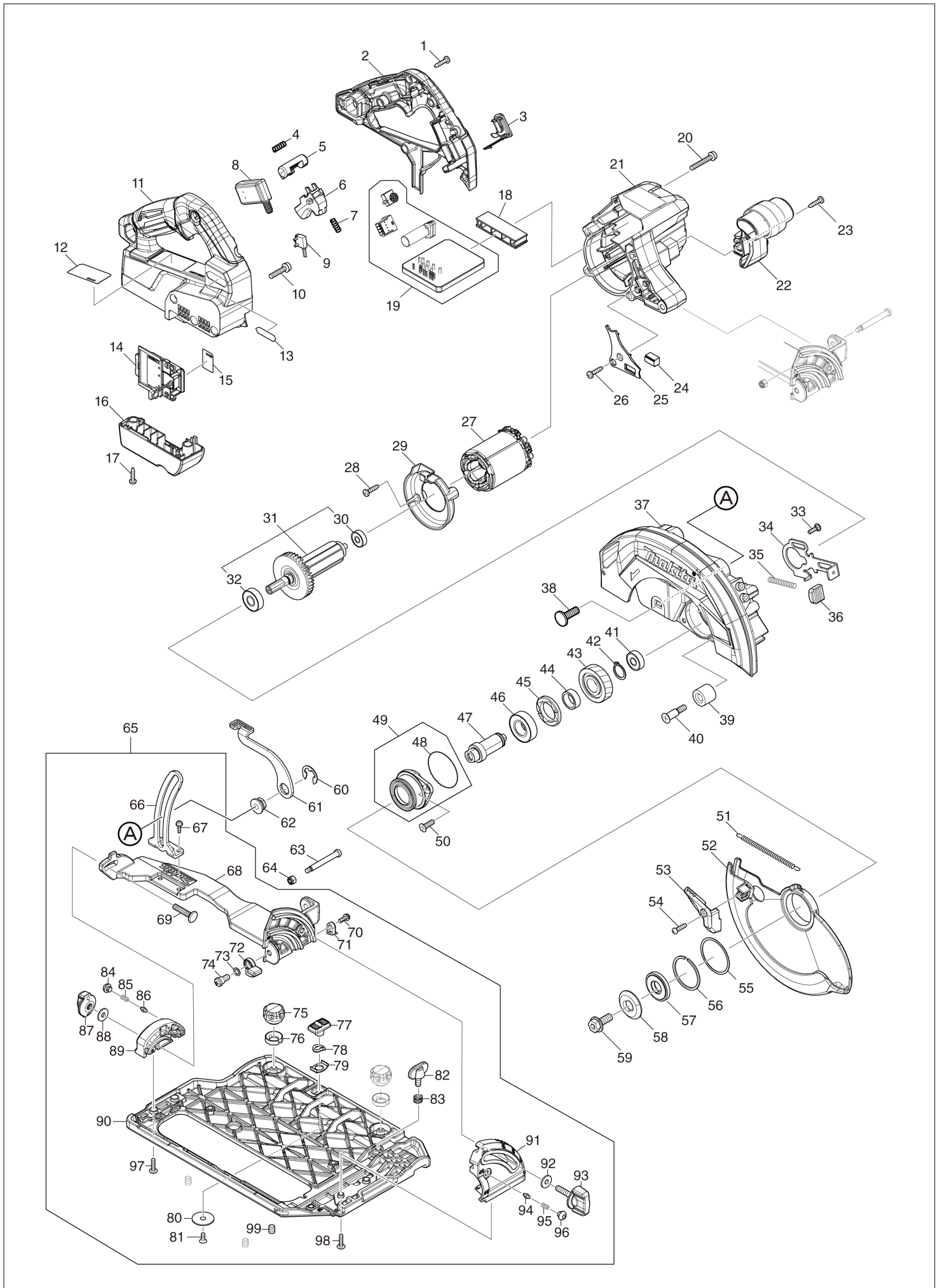
X : No

< : the new part can be substituted for the current.

> : the current part can be substituted for the new.

S : Interchangeable as a set.

(BE) HS004G / 185MM CORDLESS CIRCULAR SAW



BE	BELGIUM
-----------	----------------

HS004G / 185MM CORDLESS CIRCULAR SAW

Item	Sub	Parts No.	Parts Description	Qty	I/C	E/C No.	Close No.	Remark
001		266326-2	TAPPING SCREW 4X18	6				
002		183R15-1	HANDLE SET	1				
	C10	263005-3	RUBBER PIN 6	1				
	D10		INC. 11					
003		140F99-0	CAP COMPLETE	1				
	C10	213218-6	O RING 16	1				
	C20	818H07-8	CAP LABEL	1				
004		231433-0	COMPRESSION SPRING 4	1				
005		419704-7	LOCK OFF BUTTON	1				
006		458594-3	SWITCH LEVER	1				
007		231433-0	COMPRESSION SPRING 4	1				
008		651083-9	SWITCH C3XA-1PSPM	1				
009		632M92-5	SWITCH UNIT	1				
010		911243-8	PAN HEAD SCREW M5X25	3				
011		183R15-1	HANDLE SET	1				
	C10	263005-3	RUBBER PIN 6	1				
	D10		INC. 2					
012		857E51-2	HS004G NAME PLATE	1				
013		8012U4-2	XGT LOGO LABEL	1				
014		632P65-6	TERMINAL UNIT	1				
015		857E58-8	HS004G SERIAL NO. LABEL	1				
016		140S46-9	TERMINAL HOUSING COMPLETE	1				
	C10	263005-3	RUBBER PIN 6	1				
017		266326-2	TAPPING SCREW 4X18	2				
018		412480-2	SPACER	1				
019		620D01-2	CONTROLLER	1				
020		911258-5	PAN HEAD SCREW M5X35	4				
021		458746-6	MOTOR HOUSING	1				
022		458750-5	FRONT GRIP	1				
023		266326-2	TAPPING SCREW 4X18	1				
024		620936-3	LED CIRCUIT	1				
025		458751-3	LIGHT COVER	1				
026		266326-2	TAPPING SCREW 4X18	1				
027		629479-2	STATOR	1				
028		266326-2	TAPPING SCREW 4X18	2				
029		458749-0	BAFFLE PLATE	1				
030		210022-4	BALL BEARING 626DDW	1				
031		519534-7	ROTOR ASSY	1				
	D10		INC. 30,32					
032		210059-1	BALL BEARING 6000DDW	1				
033		251529-1	+ PAN HEAD SCREW M4X14	1				
034		347676-5	SHAFT LOCK	1				
035		233084-5	COMPRESSION SPRING 6	1				
036		286039-9	CAP	1				
037		140S42-7	BLADE CASE COMPLETE	1				
	C10	213434-0	O RING 26	1				
	C20	263005-3	RUBBER PIN 6	1				
	C30	818C45-0	SCALE LABEL	1				
038		266396-1	FLATHEAD SQUARENECKBOLT M8X24	1				
039		262185-2	RUBBER SLEEVE8	1				
040		251572-0	+ COUNTERSUNK HEAD SCREW M6X3	1				
041		210029-0	BALL BEARING 608ZZ	1				
042		961057-5	RETAINING RING S-17	1				
043		226838-7	HELICAL GEAR 37	1				
044		257451-0	RING 17	1				
045		285809-3	BEARING RETAINER 23-36	1				
046		210301-0	BALL BEARING 6003DDW	1				
047		327192-3	SPINDLE	1				
048		213565-5	O RING 42	1				
049		136021-7	BEARING BOX ASSY	1				
	D10		INC. 48					
050		265034-2	+ COUNTERSUNK HEAD SCREW M5X1	2				
051		232467-6	TENSION SPRING 4	1				
052		319970-5	SAFETY COVER	1				
053		271450-8	LEVER 37	1				

B:HS004GZ01(N)
C:HS004GM101(H)
D:HS004GM202(H)

Interchange
O : Yes
X : No
< : the new part can be substituted for the current.
> : the current part can be substituted for the new.
S : Interchangeable as a set.

BE	BELGIUM
-----------	----------------

HS004G / 185MM CORDLESS CIRCULAR SAW

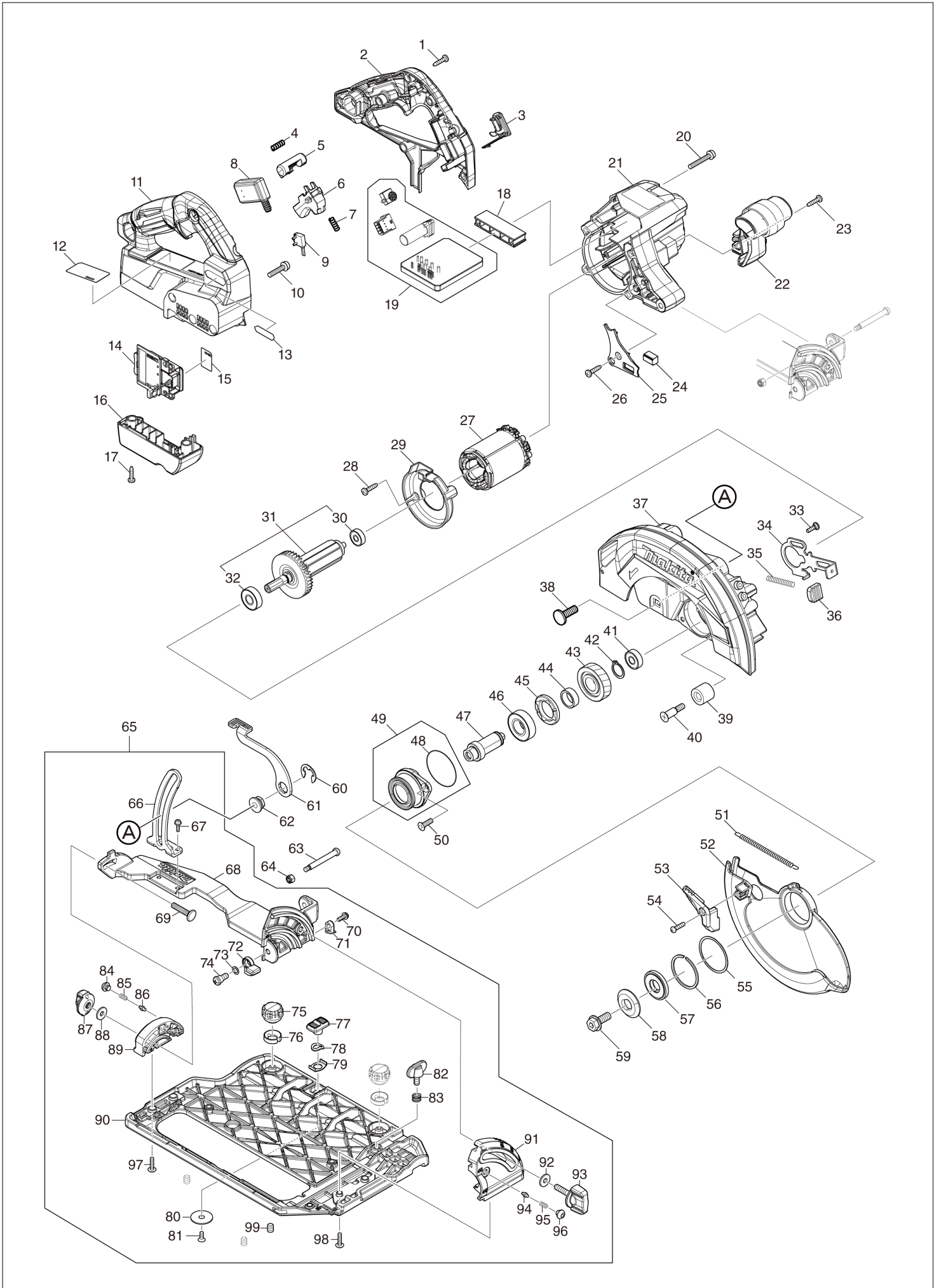
Item	Sub	Parts No.	Parts Description	Qty	I/C	E/C No.	Close No.	Remark
054		265178-8	PAN HEAD SCREW M4X16	1				
055		267337-0	FLAT WASHER 40	1				
056		257452-8	RETAINING RING (EXT) WR-40	1				
057		224593-5	INNER FLANGE 35	1				
058		224409-4	OUTER FLANGE 35	1				
059		266283-4	HEX. SOCKET HEX. BOLT M8X20	1				
060		257953-6	BOW STOP RING E-12	1				
061		271460-5	LEVER 90	1				
062		252262-8	COLLERED HEX. NUT M8	1				
063		265118-6	+ PAN HEAD SCREW M5	1				
064		252103-8	HEX. LOCK NUT M5-8	1				
065		136280-3	BASE ASSY	1				
	D10		INC. 66-99					
066		347532-9	DEPTH GUIDE	1				
067		911516-9	PAN HEAD SCREW M4X12	2				
068		319975-5	FRAME	1				
069		251920-3	CAP SQUARE NECK BOLT M6X30	1				
070		911118-1	PAN HEAD SCREW M4X12	1				
071		419632-6	POSITION PLATE	1				
072		319978-9	STOPPER	1				
073		213026-5	O RING 7	1				
074		251267-5	+ PAN HEAD SCREW M6	1				
075		265775-0	THUMB SCREW M4X3	2				
076		419627-9	HOLDER	2				
077		458092-7	SLIDE LEVER	1				
078		253932-2	WAVE WASHER 10	1				
079		345977-5	PLATE	1				
080		345748-0	LOCK WASHER	1				
081		912112-6	COUNTERSUNK HEAD SCREW M4X10	1				
082		265701-9	THUMB SCREW M6X14	1				
083		233376-2	COMPRESSION SPRING 8	1				
084		266559-9	H.S.BUTTON HEAD BOLT M6X4	1				
085		231234-6	COMPRESSION SPRING 3.5	1				
086		263041-9	SHOULDER PIN 3-5	1				
087		252270-9	THUMB NUT M6	1				
088		253111-2	FLAT WASHER 6	1				
089		319977-1	REAR ANGULAR PLATE	1				
090		319974-7	BASE	1				
091		319976-3	FRONT ANGULAR PLATE	1				
092		253111-2	FLAT WASHER 6	1				
093		265776-8	THUMB SCREW M6X26	1				
094		263041-9	SHOULDER PIN 3-5	1				
095		231234-6	COMPRESSION SPRING 3.5	1				
096		266559-9	H.S.BUTTON HEAD BOLT M6X4	1				
097		265174-6	+ TRUSS HEAD SCREW M4X16	2				
098		265174-6	+ TRUSS HEAD SCREW M4X16	2				
099		266225-8	H.S.SET SCREW(FLAT POINT)M6X8	3				
A01		196520-1	DUST NOZZLE SET	1				
A02		B-64185	TCT BLADE190X24T WOOD EFFICUT	1				
A03		783204-6	HEX. WRENCH 6	1				
A06B		198900-7	WIRELESS UNIT SET	1				
A06D		198900-7	WIRELESS UNIT SET	1				
A07C		412393-7	BATTERY COVER	1				
A07D		412393-7	BATTERY COVER	2				
A08C		191B26-6	BATTERY BL4040 SET	1				
A08D		191B26-6	BATTERY BL4040 SET	2				
A09C		***DC40RA	DC40RA FAST CHARGER	1				
	D10		COMPO-PARTS					
A09D		***DC40RA	DC40RA FAST CHARGER	1				
	D10		COMPO-PARTS					
A10C		821552-6	CONNECTOR PLASTIC CASE (TYPE4)	1				
	C10	453974-8	LATCH	4				
A10D		821552-6	CONNECTOR PLASTIC CASE (TYPE4)	1				
	C10	453974-8	LATCH	4				
A11C		8015M3-6	HS004GM101 INDICATION LABEL	1				

B:HS004GZ01(N)
 C:HS004GM101(H)
 D:HS004GM202(H)

Interchange
 O : Yes
 X : No
 < : the new part can be substituted for the current.
 > : the current part can be substituted for the new.
 S : Interchangeable as a set.

BE

(CH) HS004G / 185MM CORDLESS CIRCULAR SAW



CH	SWITZERLAND
-----------	--------------------

HS004G / 185MM CORDLESS CIRCULAR SAW

Item	Sub	Parts No.	Parts Description	Qty	I/C	E/C No.	Close No.	Remark
001		266326-2	TAPPING SCREW 4X18	6				
002		183R15-1	HANDLE SET	1				
	C10	263005-3	RUBBER PIN 6	1				
	D10		INC. 11					
003		140F99-0	CAP COMPLETE	1				
	C10	213218-6	O RING 16	1				
	C20	818H07-8	CAP LABEL	1				
004		231433-0	COMPRESSION SPRING 4	1				
005		419704-7	LOCK OFF BUTTON	1				
006		458594-3	SWITCH LEVER	1				
007		231433-0	COMPRESSION SPRING 4	1				
008		651083-9	SWITCH C3XA-1PSPM	1				
009		632M92-5	SWITCH UNIT	1				
010		911243-8	PAN HEAD SCREW M5X25	3				
011		183R15-1	HANDLE SET	1				
	C10	263005-3	RUBBER PIN 6	1				
	D10		INC. 2					
012		857E51-2	HS004G NAME PLATE	1				
013		8012U4-2	XGT LOGO LABEL	1				
014		632P65-6	TERMINAL UNIT	1				
015		857E58-8	HS004G SERIAL NO. LABEL	1				
016		140S46-9	TERMINAL HOUSING COMPLETE	1				
	C10	263005-3	RUBBER PIN 6	1				
017		266326-2	TAPPING SCREW 4X18	2				
018		412480-2	SPACER	1				
019		620D01-2	CONTROLLER	1				
020		911258-5	PAN HEAD SCREW M5X35	4				
021		458746-6	MOTOR HOUSING	1				
022		458750-5	FRONT GRIP	1				
023		266326-2	TAPPING SCREW 4X18	1				
024		620936-3	LED CIRCUIT	1				
025		458751-3	LIGHT COVER	1				
026		266326-2	TAPPING SCREW 4X18	1				
027		629479-2	STATOR	1				
028		266326-2	TAPPING SCREW 4X18	2				
029		458749-0	BAFFLE PLATE	1				
030		210022-4	BALL BEARING 626DDW	1				
031		519534-7	ROTOR ASSY	1				
	D10		INC. 30,32					
032		210059-1	BALL BEARING 6000DDW	1				
033		251529-1	+ PAN HEAD SCREW M4X14	1				
034		347676-5	SHAFT LOCK	1				
035		233084-5	COMPRESSION SPRING 6	1				
036		286039-9	CAP	1				
037		140S42-7	BLADE CASE COMPLETE	1				
	C10	213434-0	O RING 26	1				
	C20	263005-3	RUBBER PIN 6	1				
	C30	818C45-0	SCALE LABEL	1				
038		266396-1	FLATHEAD SQUARENECKBOLT M8X24	1				
039		262185-2	RUBBER SLEEVE8	1				
040		251572-0	+ COUNTERSUNK HEAD SCREW M6X3	1				
041		210029-0	BALL BEARING 608ZZ	1				
042		961057-5	RETAINING RING S-17	1				
043		226838-7	HELICAL GEAR 37	1				
044		257451-0	RING 17	1				
045		285809-3	BEARING RETAINER 23-36	1				
046		210301-0	BALL BEARING 6003DDW	1				
047		327192-3	SPINDLE	1				
048		213565-5	O RING 42	1				
049		136021-7	BEARING BOX ASSY	1				
	D10		INC. 48					
050		265034-2	+ COUNTERSUNK HEAD SCREW M5X1	2				
051		232467-6	TENSION SPRING 4	1				
052		319970-5	SAFETY COVER	1				
053		271450-8	LEVER 37	1				

CH

B:HS004GZ03(N)
C:HS004GM201(H)

Interchange
O : Yes
X : No
< : the new part can be substituted for the current.
> : the current part can be substituted for the new.
S : Interchangeable as a set.

CH	SWITZERLAND
-----------	--------------------

HS004G / 185MM CORDLESS CIRCULAR SAW

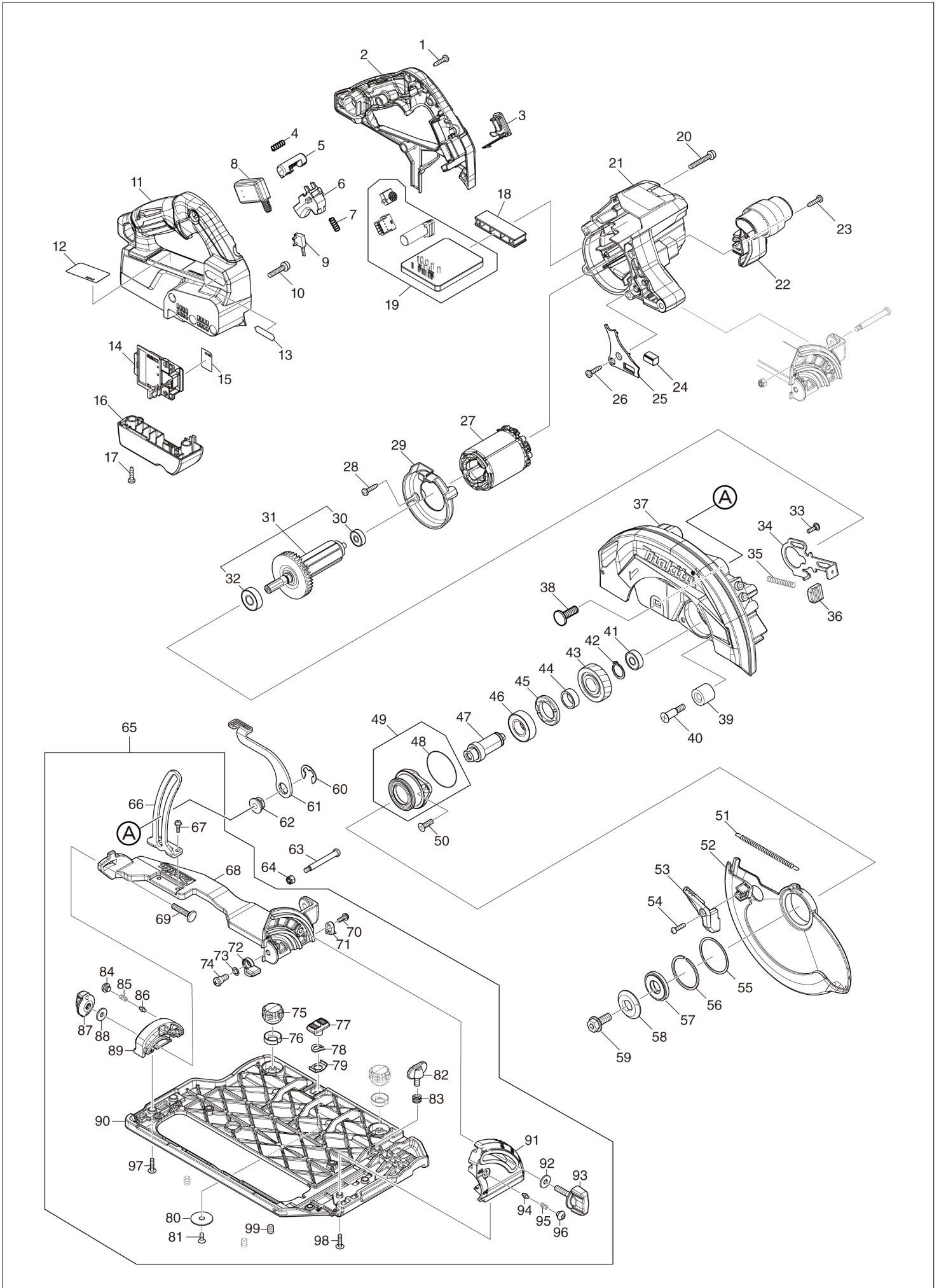
Item	Sub	Parts No.	Parts Description	Qty	I/C	E/C No.	Close No.	Remark
054		265178-8	PAN HEAD SCREW M4X16	1				
055		267337-0	FLAT WASHER 40	1				
056		257452-8	RETAINING RING (EXT) WR-40	1				
057		224593-5	INNER FLANGE 35	1				
058		224409-4	OUTER FLANGE 35	1				
059		266283-4	HEX. SOCKET HEX. BOLT M8X20	1				
060		257953-6	BOW STOP RING E-12	1				
061		271460-5	LEVER 90	1				
062		252262-8	COLLERED HEX. NUT M8	1				
063		265118-6	+ PAN HEAD SCREW M5	1				
064		252103-8	HEX. LOCK NUT M5-8	1				
065		136280-3	BASE ASSY	1				
	D10		INC. 66-99					
066		347532-9	DEPTH GUIDE	1				
067		911516-9	PAN HEAD SCREW M4X12	2				
068		319975-5	FRAME	1				
069		251920-3	CAP SQUARE NECK BOLT M6X30	1				
070		911118-1	PAN HEAD SCREW M4X12	1				
071		419632-6	POSITION PLATE	1				
072		319978-9	STOPPER	1				
073		213026-5	O RING 7	1				
074		251267-5	+ PAN HEAD SCREW M6	1				
075		265775-0	THUMB SCREW M4X3	2				
076		419627-9	HOLDER	2				
077		458092-7	SLIDE LEVER	1				
078		253932-2	WAVE WASHER 10	1				
079		345977-5	PLATE	1				
080		345748-0	LOCK WASHER	1				
081		912112-6	COUNTERSUNK HEAD SCREW M4X10	1				
082		265701-9	THUMB SCREW M6X14	1				
083		233376-2	COMPRESSION SPRING 8	1				
084		266559-9	H.S.BUTTON HEAD BOLT M6X4	1				
085		231234-6	COMPRESSION SPRING 3.5	1				
086		263041-9	SHOULDER PIN 3-5	1				
087		252270-9	THUMB NUT M6	1				
088		253111-2	FLAT WASHER 6	1				
089		319977-1	REAR ANGULAR PLATE	1				
090		319974-7	BASE	1				
091		319976-3	FRONT ANGULAR PLATE	1				
092		253111-2	FLAT WASHER 6	1				
093		265776-8	THUMB SCREW M6X26	1				
094		263041-9	SHOULDER PIN 3-5	1				
095		231234-6	COMPRESSION SPRING 3.5	1				
096		266559-9	H.S.BUTTON HEAD BOLT M6X4	1				
097		265174-6	+ TRUSS HEAD SCREW M4X16	2				
098		265174-6	+ TRUSS HEAD SCREW M4X16	2				
099		266225-8	H.S.SET SCREW(FLAT POINT)M6X8	3				
A01		196520-1	DUST NOZZLE SET	1				
A02		B-64185	TCT BLADE190X24T WOOD EFFICUT	1				
A03		783204-6	HEX. WRENCH 6	1				
A06B		198900-7	WIRELESS UNIT SET	1				
A07C		412393-7	BATTERY COVER	2				
A08C		191B26-6	BATTERY BL4040 SET	2				
A09C		***DC40RA	DC40RA FAST CHARGER	1				
	D10		COMPO-PARTS					
A10B		821552-6	CONNECTOR PLASTIC CASE (TYPE4)	1				
	C10	453974-8	LATCH	4				
A10C		821552-6	CONNECTOR PLASTIC CASE (TYPE4)	1				
	C10	453974-8	LATCH	4				
A11B		8015L7-1	HS004GZ03 INDICATION LABEL	1				
A11C		8015M0-2	HS004GM201 INDICATION LABEL	1				
A12B		8015L8-9	HS004GZ03 PLASTIC CASE LABEL	2				
A12C		8015M1-0	HS004GM201 PLASTIC CASE LABEL	2				
A13B		835K82-7	INNER TRAY	1				
A13C		835K82-7	INNER TRAY	1				

B:HS004GZ03(N)
C:HS004GM201(H)

Interchange
O : Yes
X : No
< : the new part can be substituted for the current.
> : the current part can be substituted for the new.
S : Interchangeable as a set.

CH

(DE) HS004G / 185MM CORDLESS CIRCULAR SAW



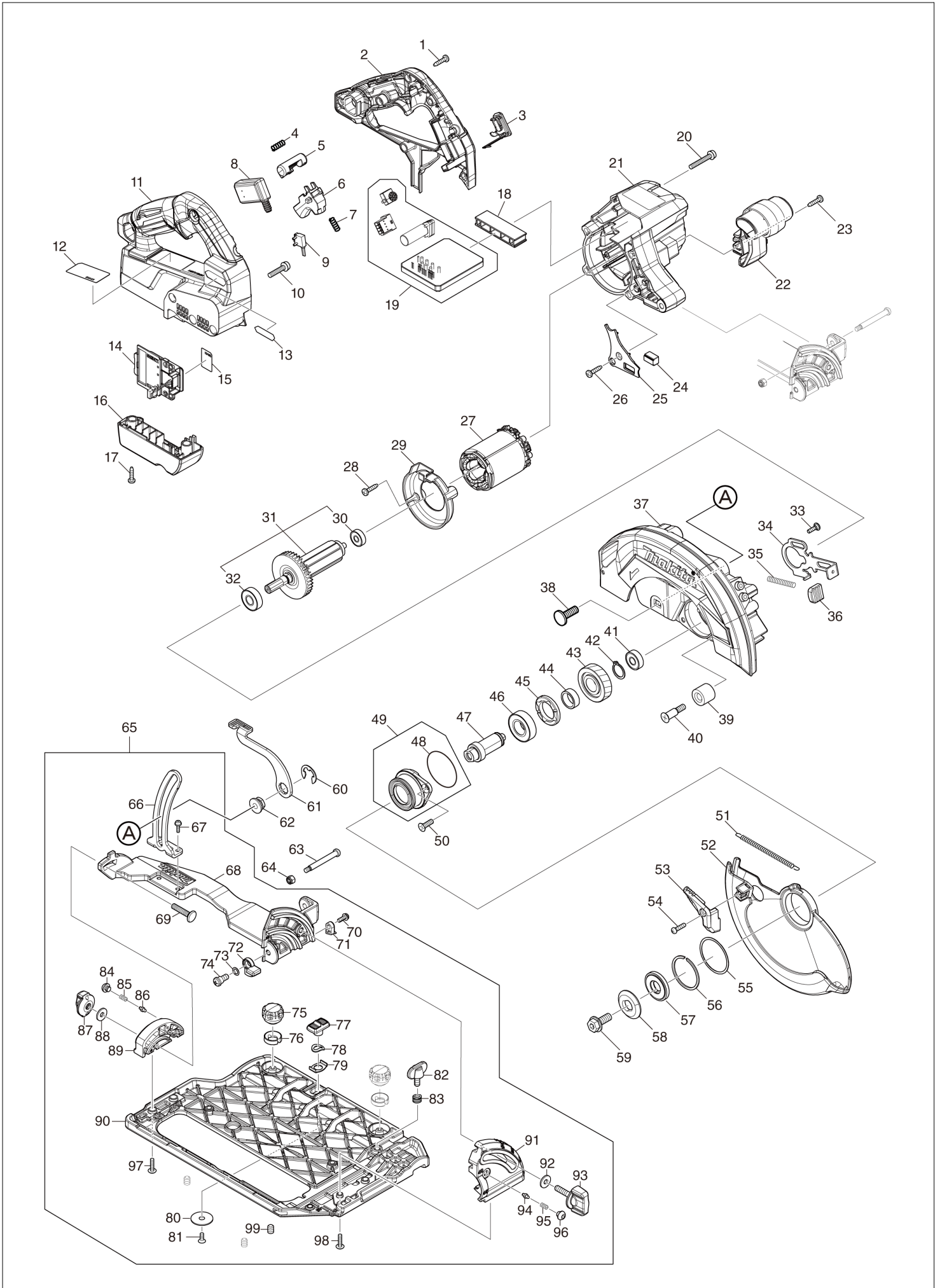
HS004G / 185MM CORDLESS CIRCULAR SAW

Item	Sub	Parts No.	Parts Description	Qty	I/C	E/C No.	Close No.	Remark
001		266326-2	TAPPING SCREW 4X18	6				
002		183R15-1	HANDLE SET	1				
	C10	263005-3	RUBBER PIN 6	1				
	D10		INC. 11					
003		140F99-0	CAP COMPLETE	1				
	C10	213218-6	O RING 16	1				
	C20	818H07-8	CAP LABEL	1				
004		231433-0	COMPRESSION SPRING 4	1				
005		419704-7	LOCK OFF BUTTON	1				
006		458594-3	SWITCH LEVER	1				
007		231433-0	COMPRESSION SPRING 4	1				
008		651083-9	SWITCH C3XA-1PSPM	1				
009		632M92-5	SWITCH UNIT	1				
010		911243-8	PAN HEAD SCREW M5X25	3				
011		183R15-1	HANDLE SET	1				
	C10	263005-3	RUBBER PIN 6	1				
	D10		INC. 2					
012		857E51-2	HS004G NAME PLATE	1				
013		8012U4-2	XGT LOGO LABEL	1				
014		632P65-6	TERMINAL UNIT	1				
015		857E58-8	HS004G SERIAL NO. LABEL	1				
016		140S46-9	TERMINAL HOUSING COMPLETE	1				
	C10	263005-3	RUBBER PIN 6	1				
017		266326-2	TAPPING SCREW 4X18	2				
018		412480-2	SPACER	1				
019		620D01-2	CONTROLLER	1				
020		911258-5	PAN HEAD SCREW M5X35	4				
021		458746-6	MOTOR HOUSING	1				
022		458750-5	FRONT GRIP	1				
023		266326-2	TAPPING SCREW 4X18	1				
024		620936-3	LED CIRCUIT	1				
025		458751-3	LIGHT COVER	1				
026		266326-2	TAPPING SCREW 4X18	1				
027		629479-2	STATOR	1				
028		266326-2	TAPPING SCREW 4X18	2				
029		458749-0	BAFFLE PLATE	1				
030		210022-4	BALL BEARING 626DDW	1				
031		519534-7	ROTOR ASSY	1				
	D10		INC. 30,32					
032		210059-1	BALL BEARING 6000DDW	1				
033		251529-1	+ PAN HEAD SCREW M4X14	1				
034		347676-5	SHAFT LOCK	1				
035		233084-5	COMPRESSION SPRING 6	1				
036		286039-9	CAP	1				
037		140S42-7	BLADE CASE COMPLETE	1				
	C10	213434-0	O RING 26	1				
	C20	263005-3	RUBBER PIN 6	1				
	C30	818C45-0	SCALE LABEL	1				
038		266396-1	FLATHEAD SQUARENECKBOLT M8X24	1				
039		262185-2	RUBBER SLEEVE8	1				
040		251572-0	+ COUNTERSUNK HEAD SCREW M6X3	1				
041		210029-0	BALL BEARING 608ZZ	1				
042		961057-5	RETAINING RING S-17	1				
043		226838-7	HELICAL GEAR 37	1				
044		257451-0	RING 17	1				
045		285809-3	BEARING RETAINER 23-36	1				
046		210301-0	BALL BEARING 6003DDW	1				
047		327192-3	SPINDLE	1				
048		213565-5	O RING 42	1				
049		136021-7	BEARING BOX ASSY	1				
	D10		INC. 48					
050		265034-2	+ COUNTERSUNK HEAD SCREW M5X1	2				
051		232467-6	TENSION SPRING 4	1				
052		319970-5	SAFETY COVER	1				
053		271450-8	LEVER 37	1				

B:HS004GM201(H)
C:HS004GZ01(N)

Interchange
O : Yes
X : No
< : the new part can be substituted for the current.
> : the current part can be substituted for the new.
S : Interchangeable as a set.

(ES) HS004G / 185MM CORDLESS CIRCULAR SAW



HS004G / 185MM CORDLESS CIRCULAR SAW

Item	Sub	Parts No.	Parts Description	Qty	I/C	E/C No.	Close No.	Remark
001		266326-2	TAPPING SCREW 4X18	6				
002		183R15-1	HANDLE SET	1				
	C10	263005-3	RUBBER PIN 6	1				
	D10		INC. 11					
003		140F99-0	CAP COMPLETE	1				
	C10	213218-6	O RING 16	1				
	C20	818H07-8	CAP LABEL	1				
004		231433-0	COMPRESSION SPRING 4	1				
005		419704-7	LOCK OFF BUTTON	1				
006		458594-3	SWITCH LEVER	1				
007		231433-0	COMPRESSION SPRING 4	1				
008		651083-9	SWITCH C3XA-1PSPM	1				
009		632M92-5	SWITCH UNIT	1				
010		911243-8	PAN HEAD SCREW M5X25	3				
011		183R15-1	HANDLE SET	1				
	C10	263005-3	RUBBER PIN 6	1				
	D10		INC. 2					
012		857E51-2	HS004G NAME PLATE	1				
013		8012U4-2	XGT LOGO LABEL	1				
014		632P65-6	TERMINAL UNIT	1				
015		857E58-8	HS004G SERIAL NO. LABEL	1				
016		140S46-9	TERMINAL HOUSING COMPLETE	1				
	C10	263005-3	RUBBER PIN 6	1				
017		266326-2	TAPPING SCREW 4X18	2				
018		412480-2	SPACER	1				
019		620D01-2	CONTROLLER	1				
020		911258-5	PAN HEAD SCREW M5X35	4				
021		458746-6	MOTOR HOUSING	1				
022		458750-5	FRONT GRIP	1				
023		266326-2	TAPPING SCREW 4X18	1				
024		620936-3	LED CIRCUIT	1				
025		458751-3	LIGHT COVER	1				
026		266326-2	TAPPING SCREW 4X18	1				
027		629479-2	STATOR	1				
028		266326-2	TAPPING SCREW 4X18	2				
029		458749-0	BAFFLE PLATE	1				
030		210022-4	BALL BEARING 626DDW	1				
031		519534-7	ROTOR ASSY	1				
	D10		INC. 30,32					
032		210059-1	BALL BEARING 6000DDW	1				
033		251529-1	+ PAN HEAD SCREW M4X14	1				
034		347676-5	SHAFT LOCK	1				
035		233084-5	COMPRESSION SPRING 6	1				
036		286039-9	CAP	1				
037		140S42-7	BLADE CASE COMPLETE	1				
	C10	213434-0	O RING 26	1				
	C20	263005-3	RUBBER PIN 6	1				
	C30	818C45-0	SCALE LABEL	1				
038		266396-1	FLATHEAD SQUARENECKBOLT M8X24	1				
039		262185-2	RUBBER SLEEVE8	1				
040		251572-0	+ COUNTERSUNK HEAD SCREW M6X3	1				
041		210029-0	BALL BEARING 608ZZ	1				
042		961057-5	RETAINING RING S-17	1				
043		226838-7	HELICAL GEAR 37	1				
044		257451-0	RING 17	1				
045		285809-3	BEARING RETAINER 23-36	1				
046		210301-0	BALL BEARING 6003DDW	1				
047		327192-3	SPINDLE	1				
048		213565-5	O RING 42	1				
049		136021-7	BEARING BOX ASSY	1				
	D10		INC. 48					
050		265034-2	+ COUNTERSUNK HEAD SCREW M5X1	2				
051		232467-6	TENSION SPRING 4	1				
052		319970-5	SAFETY COVER	1				
053		271450-8	LEVER 37	1				

B:HS004GZ01(N)

Interchange

O : Yes

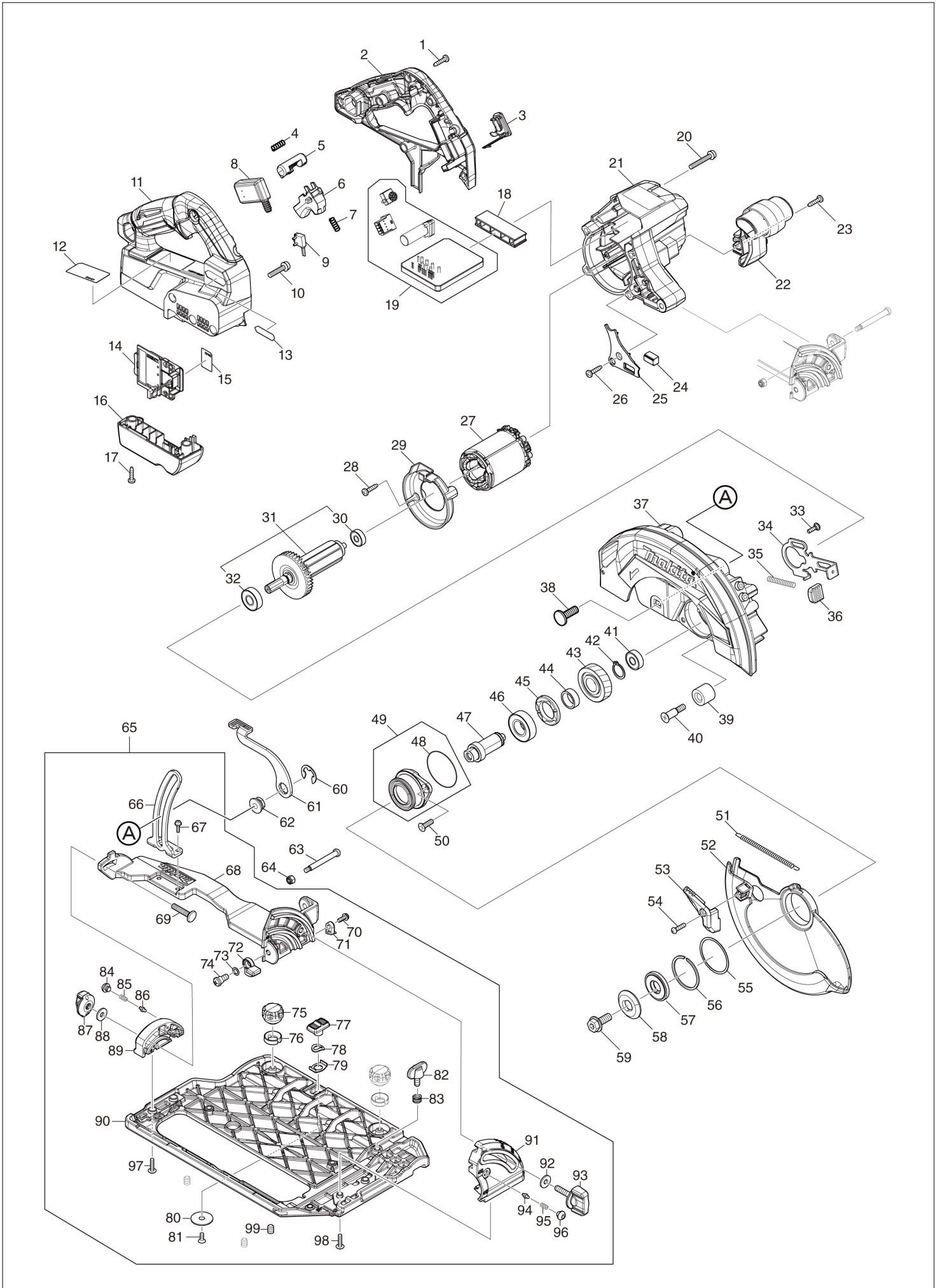
X : No

< : the new part can be substituted for the current.

> : the current part can be substituted for the new.

S : Interchangeable as a set.

(FR) HS004G / 185MM CORDLESS CIRCULAR SAW



HS004G / 185MM CORDLESS CIRCULAR SAW

Item	Sub	Parts No.	Parts Description	Qty	I/C	E/C No.	Close No.	Remark
001		266326-2	TAPPING SCREW 4X18	6				
002		183R15-1	HANDLE SET	1				
	C10	263005-3	RUBBER PIN 6	1				
	D10		INC. 11					
003		140F99-0	CAP COMPLETE	1				
	C10	213218-6	O RING 16	1				
	C20	818H07-8	CAP LABEL	1				
004		231433-0	COMPRESSION SPRING 4	1				
005		419704-7	LOCK OFF BUTTON	1				
006		458594-3	SWITCH LEVER	1				
007		231433-0	COMPRESSION SPRING 4	1				
008		651083-9	SWITCH C3XA-1PSPM	1				
009		632M92-5	SWITCH UNIT	1				
010		911243-8	PAN HEAD SCREW M5X25	3				
011		183R15-1	HANDLE SET	1				
	C10	263005-3	RUBBER PIN 6	1				
	D10		INC. 2					
012		857E51-2	HS004G NAME PLATE	1				
013		8012U4-2	XGT LOGO LABEL	1				
014		632P65-6	TERMINAL UNIT	1				
015		857E58-8	HS004G SERIAL NO. LABEL	1				
016		140S46-9	TERMINAL HOUSING COMPLETE	1				
	C10	263005-3	RUBBER PIN 6	1				
017		266326-2	TAPPING SCREW 4X18	2				
018		412480-2	SPACER	1				
019		620D01-2	CONTROLLER	1				
020		911258-5	PAN HEAD SCREW M5X35	4				
021		458746-6	MOTOR HOUSING	1				
022		458750-5	FRONT GRIP	1				
023		266326-2	TAPPING SCREW 4X18	1				
024		620936-3	LED CIRCUIT	1				
025		458751-3	LIGHT COVER	1				
026		266326-2	TAPPING SCREW 4X18	1				
027		629479-2	STATOR	1				
028		266326-2	TAPPING SCREW 4X18	2				
029		458749-0	BAFFLE PLATE	1				
030		210022-4	BALL BEARING 626DDW	1				
031		519534-7	ROTOR ASSY	1				
	D10		INC. 30,32					
032		210059-1	BALL BEARING 6000DDW	1				
033		251529-1	+ PAN HEAD SCREW M4X14	1				
034		347676-5	SHAFT LOCK	1				
035		233084-5	COMPRESSION SPRING 6	1				
036		286039-9	CAP	1				
037		140S42-7	BLADE CASE COMPLETE	1				
	C10	213434-0	O RING 26	1				
	C20	263005-3	RUBBER PIN 6	1				
	C30	818C45-0	SCALE LABEL	1				
038		266396-1	FLATHEAD SQUARENECKBOLT M8X24	1				
039		262185-2	RUBBER SLEEVE8	1				
040		251572-0	+ COUNTERSUNK HEAD SCREW M6X3	1				
041		210029-0	BALL BEARING 608ZZ	1				
042		961057-5	RETAINING RING S-17	1				
043		226838-7	HELICAL GEAR 37	1				
044		257451-0	RING 17	1				
045		285809-3	BEARING RETAINER 23-36	1				
046		210301-0	BALL BEARING 6003DDW	1				
047		327192-3	SPINDLE	1				
048		213565-5	O RING 42	1				
049		136021-7	BEARING BOX ASSY	1				
	D10		INC. 48					
050		265034-2	+ COUNTERSUNK HEAD SCREW M5X1	2				
051		232467-6	TENSION SPRING 4	1				
052		319970-5	SAFETY COVER	1				
053		271450-8	LEVER 37	1				

B:HS004GZ03(N)
C:HS004GM202(H)

Interchange
O : Yes
X : No
< : the new part can be substituted for the current.
> : the current part can be substituted for the new.
S : Interchangeable as a set.

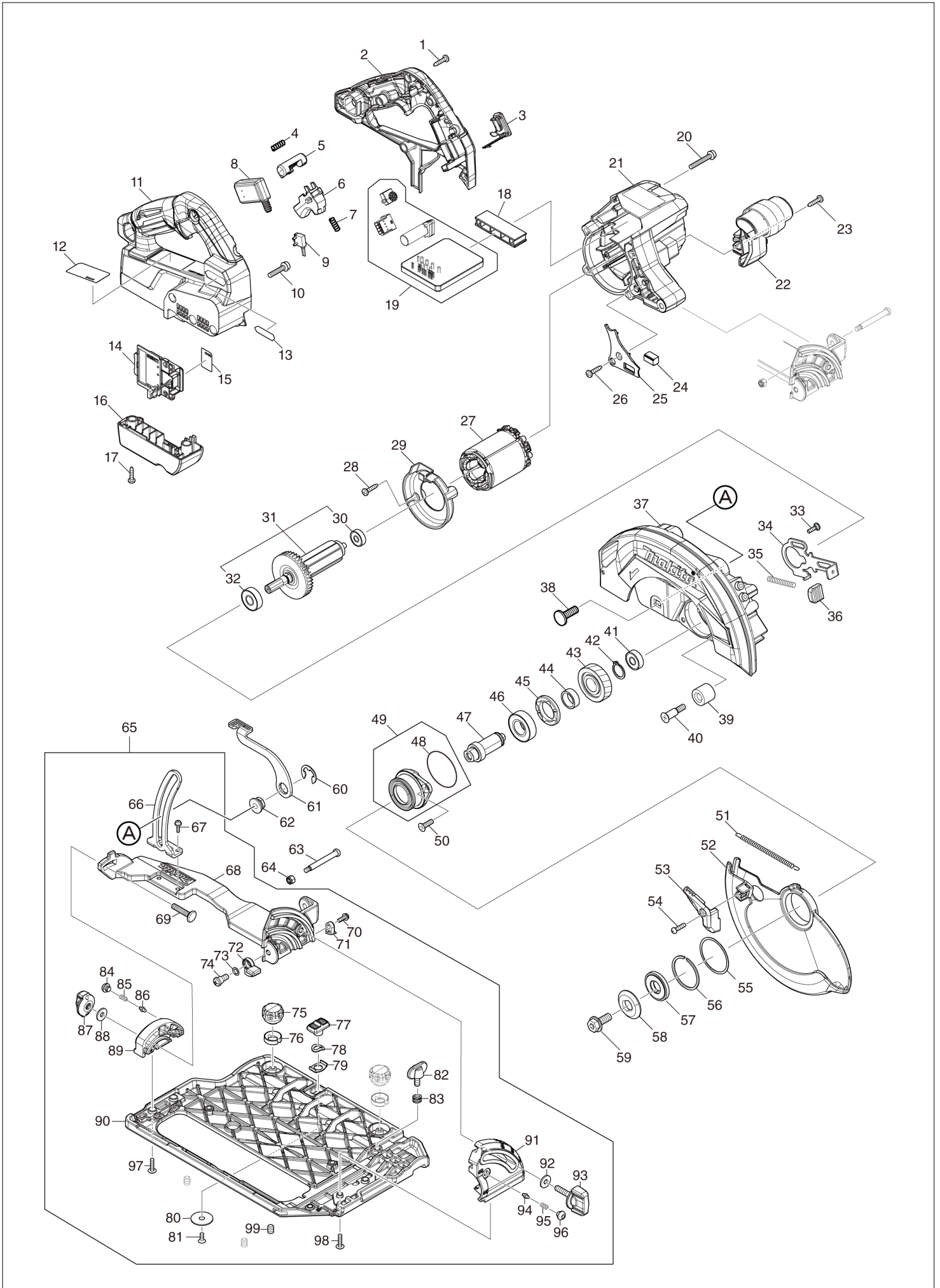
HS004G / 185MM CORDLESS CIRCULAR SAW

Item	Sub	Parts No.	Parts Description	Qty	I/C	E/C No.	Close No.	Remark
054		265178-8	PAN HEAD SCREW M4X16	1				
055		267337-0	FLAT WASHER 40	1				
056		257452-8	RETAINING RING (EXT) WR-40	1				
057		224593-5	INNER FLANGE 35	1				
058		224409-4	OUTER FLANGE 35	1				
059		266283-4	HEX. SOCKET HEX. BOLT M8X20	1				
060		257953-6	BOW STOP RING E-12	1				
061		271460-5	LEVER 90	1				
062		252262-8	COLLERED HEX. NUT M8	1				
063		265118-6	+ PAN HEAD SCREW M5	1				
064		252103-8	HEX. LOCK NUT M5-8	1				
065		136280-3	BASE ASSY	1				
	D10		INC. 66-99					
066		347532-9	DEPTH GUIDE	1				
067		911516-9	PAN HEAD SCREW M4X12	2				
068		319975-5	FRAME	1				
069		251920-3	CAP SQUARE NECK BOLT M6X30	1				
070		911118-1	PAN HEAD SCREW M4X12	1				
071		419632-6	POSITION PLATE	1				
072		319978-9	STOPPER	1				
073		213026-5	O RING 7	1				
074		251267-5	+ PAN HEAD SCREW M6	1				
075		265775-0	THUMB SCREW M4X3	2				
076		419627-9	HOLDER	2				
077		458092-7	SLIDE LEVER	1				
078		253932-2	WAVE WASHER 10	1				
079		345977-5	PLATE	1				
080		345748-0	LOCK WASHER	1				
081		912112-6	COUNTERSUNK HEAD SCREW M4X10	1				
082		265701-9	THUMB SCREW M6X14	1				
083		233376-2	COMPRESSION SPRING 8	1				
084		266559-9	H.S.BUTTON HEAD BOLT M6X4	1				
085		231234-6	COMPRESSION SPRING 3.5	1				
086		263041-9	SHOULDER PIN 3-5	1				
087		252270-9	THUMB NUT M6	1				
088		253111-2	FLAT WASHER 6	1				
089		319977-1	REAR ANGULAR PLATE	1				
090		319974-7	BASE	1				
091		319976-3	FRONT ANGULAR PLATE	1				
092		253111-2	FLAT WASHER 6	1				
093		265776-8	THUMB SCREW M6X26	1				
094		263041-9	SHOULDER PIN 3-5	1				
095		231234-6	COMPRESSION SPRING 3.5	1				
096		266559-9	H.S.BUTTON HEAD BOLT M6X4	1				
097		265174-6	+ TRUSS HEAD SCREW M4X16	2				
098		265174-6	+ TRUSS HEAD SCREW M4X16	2				
099		266225-8	H.S.SET SCREW(FLAT POINT)M6X8	3				
A01		196520-1	DUST NOZZLE SET	1				
A02		B-64185	TCT BLADE190X24T WOOD EFFICUT	1				
A03		783204-6	HEX. WRENCH 6	1				
A06B		198900-7	WIRELESS UNIT SET	1				
A06C		198900-7	WIRELESS UNIT SET	1				
A07C		412393-7	BATTERY COVER	2				
A08C		191B26-6	BATTERY BL4040 SET	2				
A09C		***DC40RA	DC40RA FAST CHARGER	1				
	D10		COMPO-PARTS					
A10B		821552-6	CONNECTOR PLASTIC CASE (TYPE4)	1				
	C10	453974-8	LATCH	4				
A10C		821552-6	CONNECTOR PLASTIC CASE (TYPE4)	1				
	C10	453974-8	LATCH	4				
A11B		8015L7-1	HS004GZ03 INDICATION LABEL	1				
A11C		8015M6-0	HS004GM202 INDICATION LABEL	1				
A12B		8015L8-9	HS004GZ03 PLASTIC CASE LABEL	2				
A12C		8015M7-8	HS004GM202 PLASTIC CASE LABEL	2				
A13B		835K82-7	INNER TRAY	1				

B:HS004GZ03(N)
C:HS004GM202(H)

Interchange
O : Yes
X : No
< : the new part can be substituted for the current.
> : the current part can be substituted for the new.
S : Interchangeable as a set.

(IT) HS004G / 185MM CORDLESS CIRCULAR SAW



HS004G / 185MM CORDLESS CIRCULAR SAW

Item	Sub	Parts No.	Parts Description	Qty	I/C	E/C No.	Close No.	Remark
001		266326-2	TAPPING SCREW 4X18	6				
002		183R15-1	HANDLE SET	1				
	C10	263005-3	RUBBER PIN 6	1				
	D10		INC. 11					
003		140F99-0	CAP COMPLETE	1				
	C10	213218-6	O RING 16	1				
	C20	818H07-8	CAP LABEL	1				
004		231433-0	COMPRESSION SPRING 4	1				
005		419704-7	LOCK OFF BUTTON	1				
006		458594-3	SWITCH LEVER	1				
007		231433-0	COMPRESSION SPRING 4	1				
008		651083-9	SWITCH C3XA-1PSPM	1				
009		632M92-5	SWITCH UNIT	1				
010		911243-8	PAN HEAD SCREW M5X25	3				
011		183R15-1	HANDLE SET	1				
	C10	263005-3	RUBBER PIN 6	1				
	D10		INC. 2					
012		857E51-2	HS004G NAME PLATE	1				
013		8012U4-2	XGT LOGO LABEL	1				
014		632P65-6	TERMINAL UNIT	1				
015		857E58-8	HS004G SERIAL NO. LABEL	1				
016		140S46-9	TERMINAL HOUSING COMPLETE	1				
	C10	263005-3	RUBBER PIN 6	1				
017		266326-2	TAPPING SCREW 4X18	2				
018		412480-2	SPACER	1				
019		620D01-2	CONTROLLER	1				
020		911258-5	PAN HEAD SCREW M5X35	4				
021		458746-6	MOTOR HOUSING	1				
022		458750-5	FRONT GRIP	1				
023		266326-2	TAPPING SCREW 4X18	1				
024		620936-3	LED CIRCUIT	1				
025		458751-3	LIGHT COVER	1				
026		266326-2	TAPPING SCREW 4X18	1				
027		629479-2	STATOR	1				
028		266326-2	TAPPING SCREW 4X18	2				
029		458749-0	BAFFLE PLATE	1				
030		210022-4	BALL BEARING 626DDW	1				
031		519534-7	ROTOR ASSY	1				
	D10		INC. 30,32					
032		210059-1	BALL BEARING 6000DDW	1				
033		251529-1	+ PAN HEAD SCREW M4X14	1				
034		347676-5	SHAFT LOCK	1				
035		233084-5	COMPRESSION SPRING 6	1				
036		286039-9	CAP	1				
037		140S42-7	BLADE CASE COMPLETE	1				
	C10	213434-0	O RING 26	1				
	C20	263005-3	RUBBER PIN 6	1				
	C30	818C45-0	SCALE LABEL	1				
038		266396-1	FLATHEAD SQUARENECKBOLT M8X24	1				
039		262185-2	RUBBER SLEEVE8	1				
040		251572-0	+ COUNTERSUNK HEAD SCREW M6X3	1				
041		210029-0	BALL BEARING 608ZZ	1				
042		961057-5	RETAINING RING S-17	1				
043		226838-7	HELICAL GEAR 37	1				
044		257451-0	RING 17	1				
045		285809-3	BEARING RETAINER 23-36	1				
046		210301-0	BALL BEARING 6003DDW	1				
047		327192-3	SPINDLE	1				
048		213565-5	O RING 42	1				
049		136021-7	BEARING BOX ASSY	1				
	D10		INC. 48					
050		265034-2	+ COUNTERSUNK HEAD SCREW M5X1	2				
051		232467-6	TENSION SPRING 4	1				
052		319970-5	SAFETY COVER	1				
053		271450-8	LEVER 37	1				

B:HS004GZ03(N)
C:HS004GM202(H)

Interchange
O : Yes
X : No
< : the new part can be substituted for the current.
> : the current part can be substituted for the new.
S : Interchangeable as a set.

IT

ITALY

HS004G / 185MM CORDLESS CIRCULAR SAW

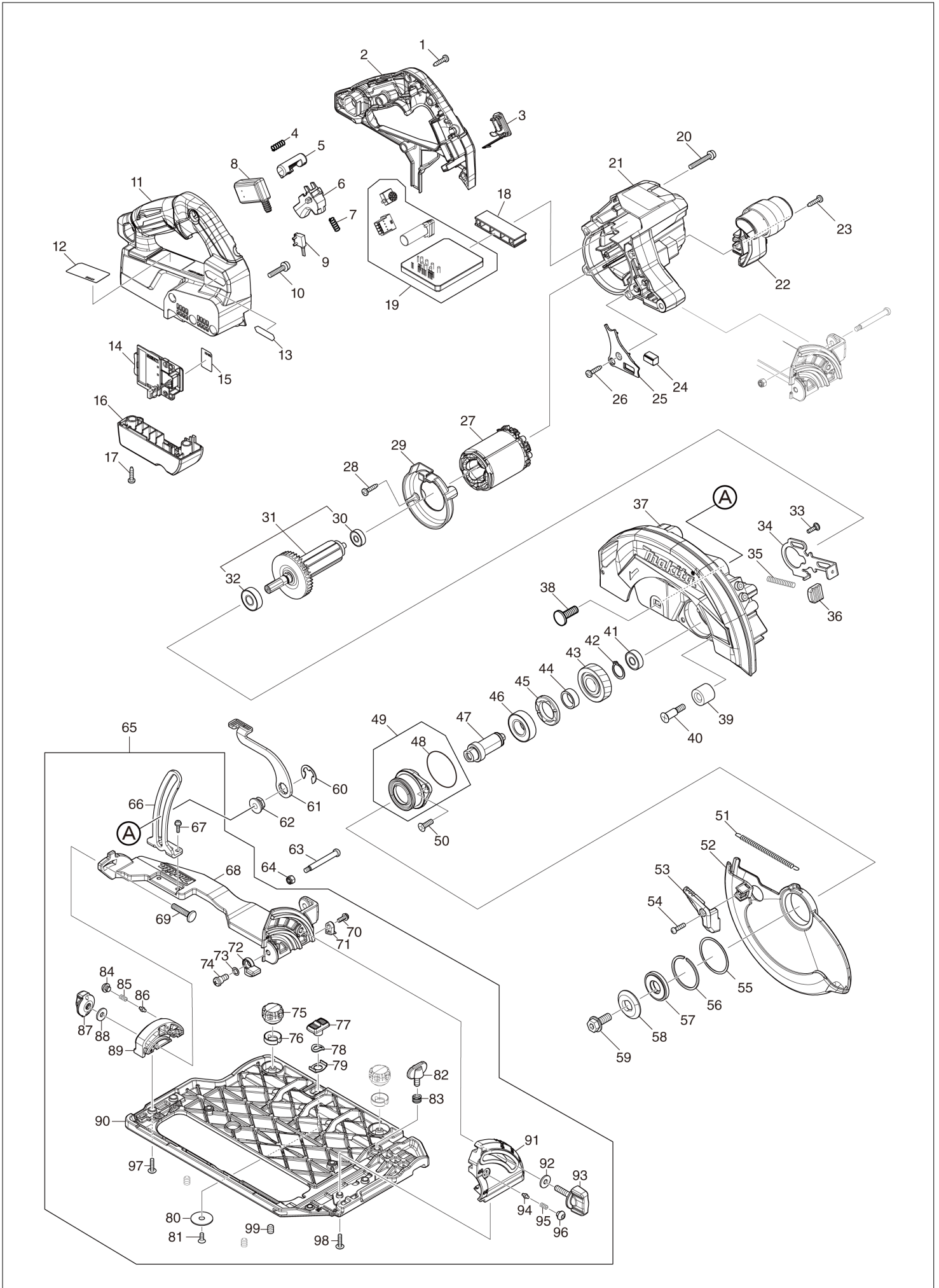
Item	Sub	Parts No.	Parts Description	Qty	I/C	E/C No.	Close No.	Remark
054		265178-8	PAN HEAD SCREW M4X16	1				
055		267337-0	FLAT WASHER 40	1				
056		257452-8	RETAINING RING (EXT) WR-40	1				
057		224593-5	INNER FLANGE 35	1				
058		224409-4	OUTER FLANGE 35	1				
059		266283-4	HEX. SOCKET HEX. BOLT M8X20	1				
060		257953-6	BOW STOP RING E-12	1				
061		271460-5	LEVER 90	1				
062		252262-8	COLLERED HEX. NUT M8	1				
063		265118-6	+ PAN HEAD SCREW M5	1				
064		252103-8	HEX. LOCK NUT M5-8	1				
065		136280-3	BASE ASSY	1				
	D10		INC. 66-99					
066		347532-9	DEPTH GUIDE	1				
067		911516-9	PAN HEAD SCREW M4X12	2				
068		319975-5	FRAME	1				
069		251920-3	CAP SQUARE NECK BOLT M6X30	1				
070		911118-1	PAN HEAD SCREW M4X12	1				
071		419632-6	POSITION PLATE	1				
072		319978-9	STOPPER	1				
073		213026-5	O RING 7	1				
074		251267-5	+ PAN HEAD SCREW M6	1				
075		265775-0	THUMB SCREW M4X3	2				
076		419627-9	HOLDER	2				
077		458092-7	SLIDE LEVER	1				
078		253932-2	WAVE WASHER 10	1				
079		345977-5	PLATE	1				
080		345748-0	LOCK WASHER	1				
081		912112-6	COUNTERSUNK HEAD SCREW M4X10	1				
082		265701-9	THUMB SCREW M6X14	1				
083		233376-2	COMPRESSION SPRING 8	1				
084		266559-9	H.S.BUTTON HEAD BOLT M6X4	1				
085		231234-6	COMPRESSION SPRING 3.5	1				
086		263041-9	SHOULDER PIN 3-5	1				
087		252270-9	THUMB NUT M6	1				
088		253111-2	FLAT WASHER 6	1				
089		319977-1	REAR ANGULAR PLATE	1				
090		319974-7	BASE	1				
091		319976-3	FRONT ANGULAR PLATE	1				
092		253111-2	FLAT WASHER 6	1				
093		265776-8	THUMB SCREW M6X26	1				
094		263041-9	SHOULDER PIN 3-5	1				
095		231234-6	COMPRESSION SPRING 3.5	1				
096		266559-9	H.S.BUTTON HEAD BOLT M6X4	1				
097		265174-6	+ TRUSS HEAD SCREW M4X16	2				
098		265174-6	+ TRUSS HEAD SCREW M4X16	2				
099		266225-8	H.S.SET SCREW(FLAT POINT)M6X8	3				
A01		196520-1	DUST NOZZLE SET	1				
A02		B-64191	TCT BLADE190X24T WOOD EFFICUT	1				
A03		783204-6	HEX. WRENCH 6	1				
A06B		198900-7	WIRELESS UNIT SET	1				
A06C		198900-7	WIRELESS UNIT SET	1				
A07C		412393-7	BATTERY COVER	2				
A08C		191B26-6	BATTERY BL4040 SET	2				
A09C		***DC40RA	DC40RA FAST CHARGER	1				
	D10		COMPO-PARTS					
A10B		821552-6	CONNECTOR PLASTIC CASE (TYPE4)	1				
	C10	453974-8	LATCH	4				
A10C		821552-6	CONNECTOR PLASTIC CASE (TYPE4)	1				
	C10	453974-8	LATCH	4				
A11B		8015L7-1	HS004GZ03 INDICATION LABEL	1				
A11C		8015M6-0	HS004GM202 INDICATION LABEL	1				
A12B		8015L8-9	HS004GZ03 PLASTIC CASE LABEL	2				
A12C		8015M7-8	HS004GM202 PLASTIC CASE LABEL	2				
A13B		835K82-7	INNER TRAY	1				

B:HS004GZ03(N)
C:HS004GM202(H)

Interchange
O : Yes
X : No
< : the new part can be substituted for the current.
> : the current part can be substituted for the new.
S : Interchangeable as a set.

IT

(NL) HS004G / 185MM CORDLESS CIRCULAR SAW



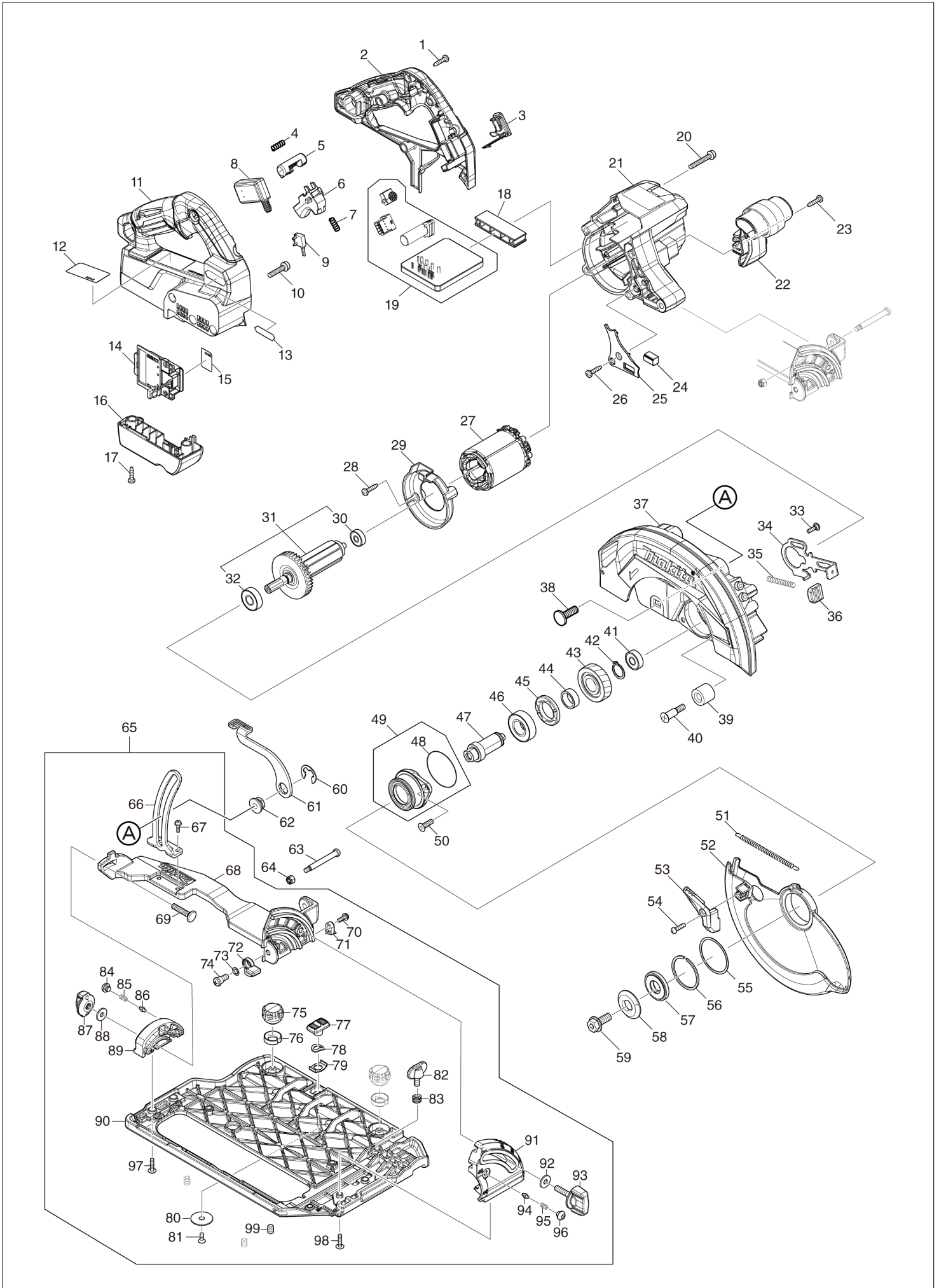
HS004G / 185MM CORDLESS CIRCULAR SAW

Item	Sub	Parts No.	Parts Description	Qty	I/C	E/C No.	Close No.	Remark
001		266326-2	TAPPING SCREW 4X18	6				
002		183R15-1	HANDLE SET	1				
	C10	263005-3	RUBBER PIN 6	1				
	D10		INC. 11					
003		140F99-0	CAP COMPLETE	1				
	C10	213218-6	O RING 16	1				
	C20	818H07-8	CAP LABEL	1				
004		231433-0	COMPRESSION SPRING 4	1				
005		419704-7	LOCK OFF BUTTON	1				
006		458594-3	SWITCH LEVER	1				
007		231433-0	COMPRESSION SPRING 4	1				
008		651083-9	SWITCH C3XA-1PSPM	1				
009		632M92-5	SWITCH UNIT	1				
010		911243-8	PAN HEAD SCREW M5X25	3				
011		183R15-1	HANDLE SET	1				
	C10	263005-3	RUBBER PIN 6	1				
	D10		INC. 2					
012		857E51-2	HS004G NAME PLATE	1				
013		8012U4-2	XGT LOGO LABEL	1				
014		632P65-6	TERMINAL UNIT	1				
015		857E58-8	HS004G SERIAL NO. LABEL	1				
016		140S46-9	TERMINAL HOUSING COMPLETE	1				
	C10	263005-3	RUBBER PIN 6	1				
017		266326-2	TAPPING SCREW 4X18	2				
018		412480-2	SPACER	1				
019		620D01-2	CONTROLLER	1				
020		911258-5	PAN HEAD SCREW M5X35	4				
021		458746-6	MOTOR HOUSING	1				
022		458750-5	FRONT GRIP	1				
023		266326-2	TAPPING SCREW 4X18	1				
024		620936-3	LED CIRCUIT	1				
025		458751-3	LIGHT COVER	1				
026		266326-2	TAPPING SCREW 4X18	1				
027		629479-2	STATOR	1				
028		266326-2	TAPPING SCREW 4X18	2				
029		458749-0	BAFFLE PLATE	1				
030		210022-4	BALL BEARING 626DDW	1				
031		519534-7	ROTOR ASSY	1				
	D10		INC. 30,32					
032		210059-1	BALL BEARING 6000DDW	1				
033		251529-1	+ PAN HEAD SCREW M4X14	1				
034		347676-5	SHAFT LOCK	1				
035		233084-5	COMPRESSION SPRING 6	1				
036		286039-9	CAP	1				
037		140S42-7	BLADE CASE COMPLETE	1				
	C10	213434-0	O RING 26	1				
	C20	263005-3	RUBBER PIN 6	1				
	C30	818C45-0	SCALE LABEL	1				
038		266396-1	FLATHEAD SQUARENECKBOLT M8X24	1				
039		262185-2	RUBBER SLEEVE8	1				
040		251572-0	+ COUNTERSUNK HEAD SCREW M6X3	1				
041		210029-0	BALL BEARING 608ZZ	1				
042		961057-5	RETAINING RING S-17	1				
043		226838-7	HELICAL GEAR 37	1				
044		257451-0	RING 17	1				
045		285809-3	BEARING RETAINER 23-36	1				
046		210301-0	BALL BEARING 6003DDW	1				
047		327192-3	SPINDLE	1				
048		213565-5	O RING 42	1				
049		136021-7	BEARING BOX ASSY	1				
	D10		INC. 48					
050		265034-2	+ COUNTERSUNK HEAD SCREW M5X1	2				
051		232467-6	TENSION SPRING 4	1				
052		319970-5	SAFETY COVER	1				
053		271450-8	LEVER 37	1				

B:HS004GZ01(N)
C:HS004GM202(H)

Interchange
O : Yes
X : No
< : the new part can be substituted for the current.
> : the current part can be substituted for the new.
S : Interchangeable as a set.

(PL) HS004G / 185MM CORDLESS CIRCULAR SAW



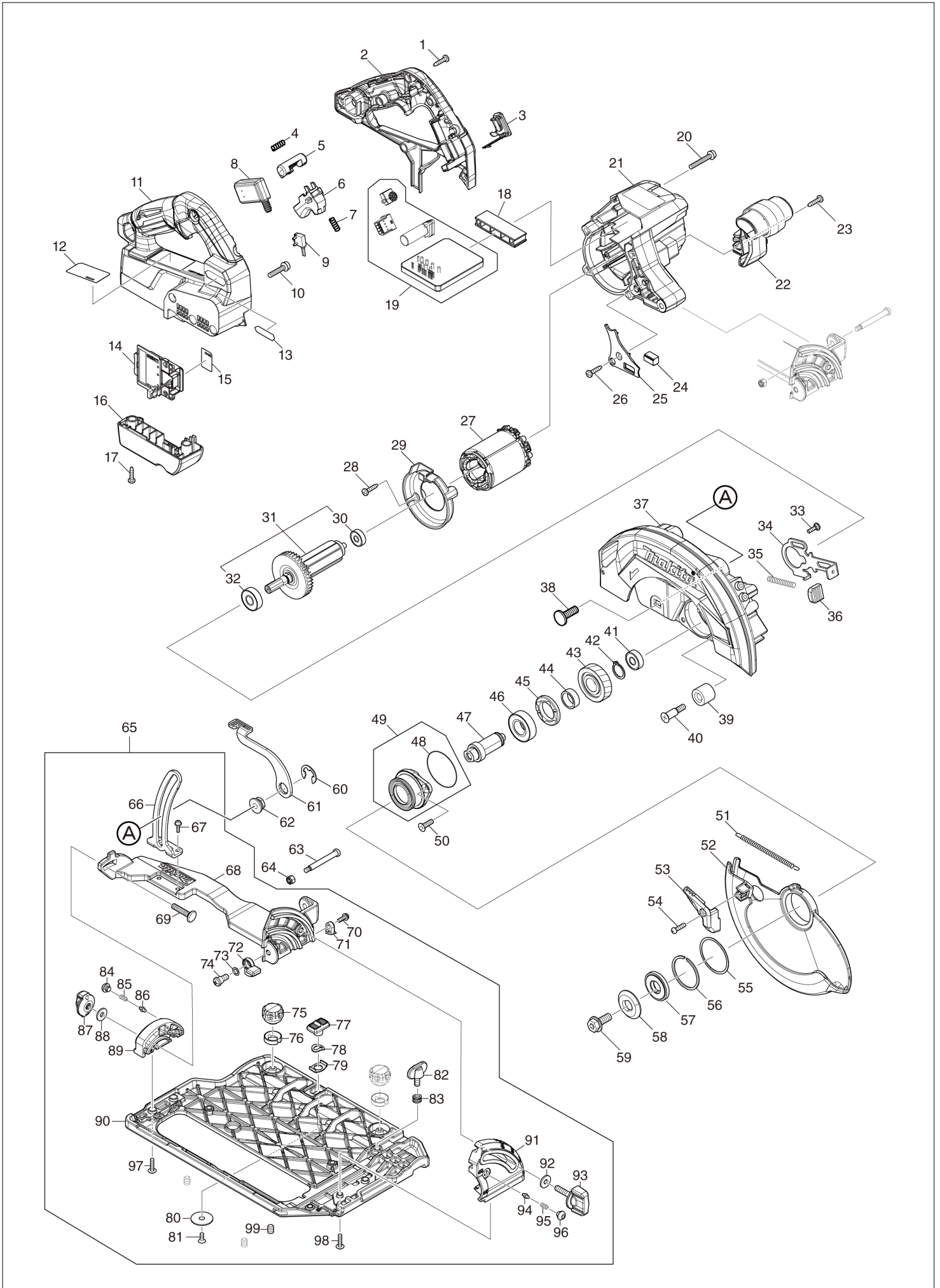
HS004G / 185MM CORDLESS CIRCULAR SAW

Item	Sub	Parts No.	Parts Description	Qty	I/C	E/C No.	Close No.	Remark
001		266326-2	TAPPING SCREW 4X18	6				
002		183R15-1	HANDLE SET	1				
	C10	263005-3	RUBBER PIN 6	1				
	D10		INC. 11					
003		140F99-0	CAP COMPLETE	1				
	C10	213218-6	O RING 16	1				
	C20	818H07-8	CAP LABEL	1				
004		231433-0	COMPRESSION SPRING 4	1				
005		419704-7	LOCK OFF BUTTON	1				
006		458594-3	SWITCH LEVER	1				
007		231433-0	COMPRESSION SPRING 4	1				
008		651083-9	SWITCH C3XA-1PSPM	1				
009		632M92-5	SWITCH UNIT	1				
010		911243-8	PAN HEAD SCREW M5X25	3				
011		183R15-1	HANDLE SET	1				
	C10	263005-3	RUBBER PIN 6	1				
	D10		INC. 2					
012		857E51-2	HS004G NAME PLATE	1				
013		8012U4-2	XGT LOGO LABEL	1				
014		632P65-6	TERMINAL UNIT	1				
015		857E58-8	HS004G SERIAL NO. LABEL	1				
016		140S46-9	TERMINAL HOUSING COMPLETE	1				
	C10	263005-3	RUBBER PIN 6	1				
017		266326-2	TAPPING SCREW 4X18	2				
018		412480-2	SPACER	1				
019		620D01-2	CONTROLLER	1				
020		911258-5	PAN HEAD SCREW M5X35	4				
021		458746-6	MOTOR HOUSING	1				
022		458750-5	FRONT GRIP	1				
023		266326-2	TAPPING SCREW 4X18	1				
024		620936-3	LED CIRCUIT	1				
025		458751-3	LIGHT COVER	1				
026		266326-2	TAPPING SCREW 4X18	1				
027		629479-2	STATOR	1				
028		266326-2	TAPPING SCREW 4X18	2				
029		458749-0	BAFFLE PLATE	1				
030		210022-4	BALL BEARING 626DDW	1				
031		519534-7	ROTOR ASSY	1				
	D10		INC. 30,32					
032		210059-1	BALL BEARING 6000DDW	1				
033		251529-1	+ PAN HEAD SCREW M4X14	1				
034		347676-5	SHAFT LOCK	1				
035		233084-5	COMPRESSION SPRING 6	1				
036		286039-9	CAP	1				
037		140S42-7	BLADE CASE COMPLETE	1				
	C10	213434-0	O RING 26	1				
	C20	263005-3	RUBBER PIN 6	1				
	C30	818C45-0	SCALE LABEL	1				
038		266396-1	FLATHEAD SQUARENECKBOLT M8X24	1				
039		262185-2	RUBBER SLEEVE8	1				
040		251572-0	+ COUNTERSUNK HEAD SCREW M6X3	1				
041		210029-0	BALL BEARING 608ZZ	1				
042		961057-5	RETAINING RING S-17	1				
043		226838-7	HELICAL GEAR 37	1				
044		257451-0	RING 17	1				
045		285809-3	BEARING RETAINER 23-36	1				
046		210301-0	BALL BEARING 6003DDW	1				
047		327192-3	SPINDLE	1				
048		213565-5	O RING 42	1				
049		136021-7	BEARING BOX ASSY	1				
	D10		INC. 48					
050		265034-2	+ COUNTERSUNK HEAD SCREW M5X1	2				
051		232467-6	TENSION SPRING 4	1				
052		319970-5	SAFETY COVER	1				
053		271450-8	LEVER 37	1				

B:HS004GZ01(N)
C:HS004GM202(H)

Interchange
O : Yes
X : No
< : the new part can be substituted for the current.
> : the current part can be substituted for the new.
S : Interchangeable as a set.

(SE) HS004G / 185MM CORDLESS CIRCULAR SAW



SE

SWEDEN

HS004G / 185MM CORDLESS CIRCULAR SAW

Item	Sub	Parts No.	Parts Description	Qty	I/C	E/C No.	Close No.	Remark
001		266326-2	TAPPING SCREW 4X18	6				
002		183R15-1	HANDLE SET	1				
	C10	263005-3	RUBBER PIN 6	1				
	D10		INC. 11					
003		140F99-0	CAP COMPLETE	1				
	C10	213218-6	O RING 16	1				
	C20	818H07-8	CAP LABEL	1				
004		231433-0	COMPRESSION SPRING 4	1				
005		419704-7	LOCK OFF BUTTON	1				
006		458594-3	SWITCH LEVER	1				
007		231433-0	COMPRESSION SPRING 4	1				
008		651083-9	SWITCH C3XA-1PSPM	1				
009		632M92-5	SWITCH UNIT	1				
010		911243-8	PAN HEAD SCREW M5X25	3				
011		183R15-1	HANDLE SET	1				
	C10	263005-3	RUBBER PIN 6	1				
	D10		INC. 2					
012		857E51-2	HS004G NAME PLATE	1				
013		8012U4-2	XGT LOGO LABEL	1				
014		632P65-6	TERMINAL UNIT	1				
015		857E58-8	HS004G SERIAL NO. LABEL	1				
016		140S46-9	TERMINAL HOUSING COMPLETE	1				
	C10	263005-3	RUBBER PIN 6	1				
017		266326-2	TAPPING SCREW 4X18	2				
018		412480-2	SPACER	1				
019		620D01-2	CONTROLLER	1				
020		911258-5	PAN HEAD SCREW M5X35	4				
021		458746-6	MOTOR HOUSING	1				
022		458750-5	FRONT GRIP	1				
023		266326-2	TAPPING SCREW 4X18	1				
024		620936-3	LED CIRCUIT	1				
025		458751-3	LIGHT COVER	1				
026		266326-2	TAPPING SCREW 4X18	1				
027		629479-2	STATOR	1				
028		266326-2	TAPPING SCREW 4X18	2				
029		458749-0	BAFFLE PLATE	1				
030		210022-4	BALL BEARING 626DDW	1				
031		519534-7	ROTOR ASSY	1				
	D10		INC. 30,32					
032		210059-1	BALL BEARING 6000DDW	1				
033		251529-1	+ PAN HEAD SCREW M4X14	1				
034		347676-5	SHAFT LOCK	1				
035		233084-5	COMPRESSION SPRING 6	1				
036		286039-9	CAP	1				
037		140S42-7	BLADE CASE COMPLETE	1				
	C10	213434-0	O RING 26	1				
	C20	263005-3	RUBBER PIN 6	1				
	C30	818C45-0	SCALE LABEL	1				
038		266396-1	FLATHEAD SQUARENECKBOLT M8X24	1				
039		262185-2	RUBBER SLEEVE8	1				
040		251572-0	+ COUNTERSUNK HEAD SCREW M6X3	1				
041		210029-0	BALL BEARING 608ZZ	1				
042		961057-5	RETAINING RING S-17	1				
043		226838-7	HELICAL GEAR 37	1				
044		257451-0	RING 17	1				
045		285809-3	BEARING RETAINER 23-36	1				
046		210301-0	BALL BEARING 6003DDW	1				
047		327192-3	SPINDLE	1				
048		213565-5	O RING 42	1				
049		136021-7	BEARING BOX ASSY	1				
	D10		INC. 48					
050		265034-2	+ COUNTERSUNK HEAD SCREW M5X1	2				
051		232467-6	TENSION SPRING 4	1				
052		319970-5	SAFETY COVER	1				
053		271450-8	LEVER 37	1				

B:HS004GM201(H)

Interchange

O : Yes

X : No

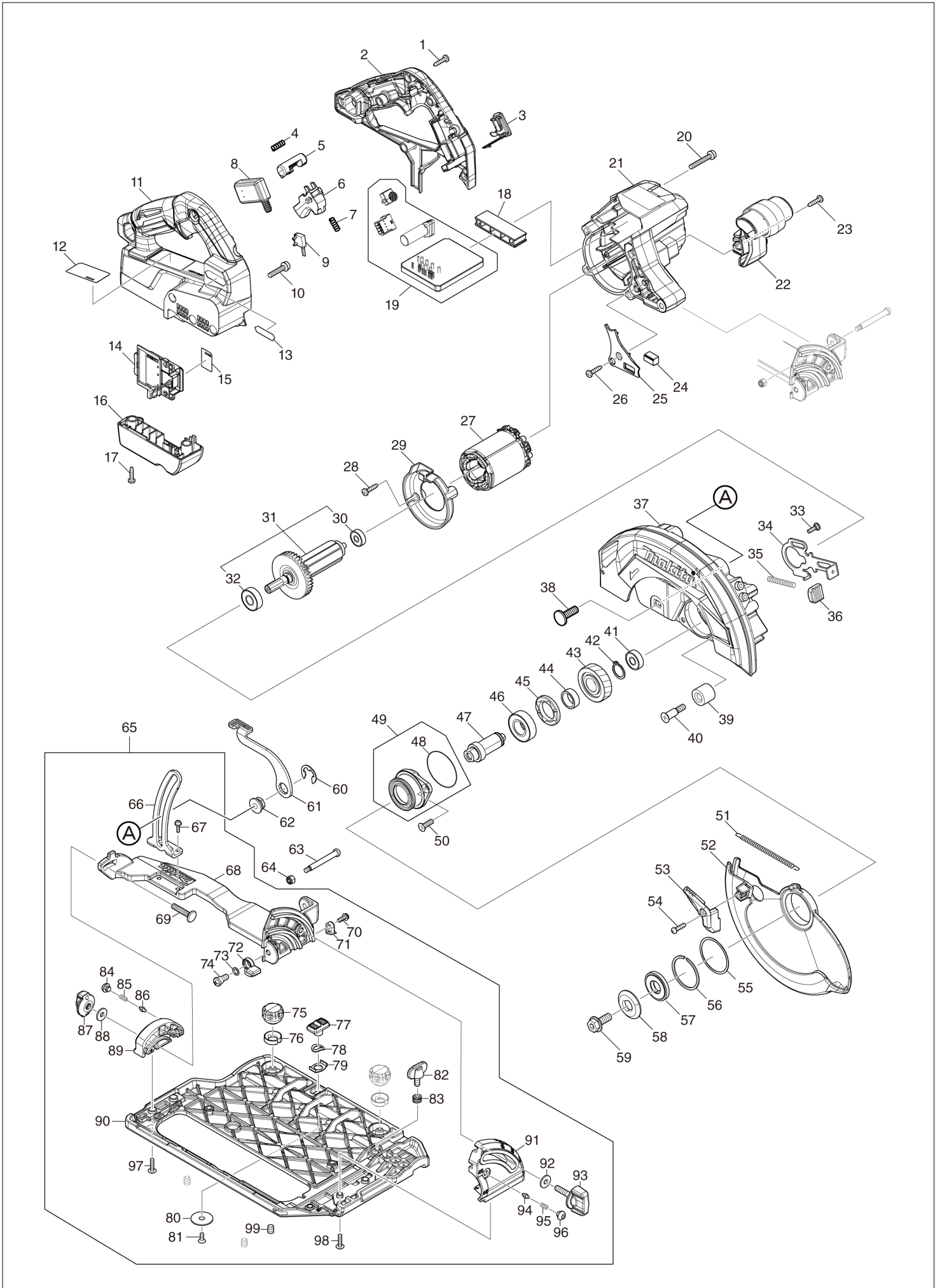
< : the new part can be substituted for the current.

> : the current part can be substituted for the new.

S : Interchangeable as a set.

SE

(SI) HS004G / 185MM CORDLESS CIRCULAR SAW



SI	SLOVENIA
-----------	-----------------

HS004G / 185MM CORDLESS CIRCULAR SAW

Item	Sub	Parts No.	Parts Description	Qty	I/C	E/C No.	Close No.	Remark
001		266326-2	TAPPING SCREW 4X18	6				
002		183R15-1	HANDLE SET	1				
	C10	263005-3	RUBBER PIN 6	1				
	D10		INC. 11					
003		140F99-0	CAP COMPLETE	1				
	C10	213218-6	O RING 16	1				
	C20	818H07-8	CAP LABEL	1				
004		231433-0	COMPRESSION SPRING 4	1				
005		419704-7	LOCK OFF BUTTON	1				
006		458594-3	SWITCH LEVER	1				
007		231433-0	COMPRESSION SPRING 4	1				
008		651083-9	SWITCH C3XA-1PSPM	1				
009		632M92-5	SWITCH UNIT	1				
010		911243-8	PAN HEAD SCREW M5X25	3				
011		183R15-1	HANDLE SET	1				
	C10	263005-3	RUBBER PIN 6	1				
	D10		INC. 2					
012		857E51-2	HS004G NAME PLATE	1				
013		8012U4-2	XGT LOGO LABEL	1				
014		632P65-6	TERMINAL UNIT	1				
015		857E58-8	HS004G SERIAL NO. LABEL	1				
016		140S46-9	TERMINAL HOUSING COMPLETE	1				
	C10	263005-3	RUBBER PIN 6	1				
017		266326-2	TAPPING SCREW 4X18	2				
018		412480-2	SPACER	1				
019		620D01-2	CONTROLLER	1				
020		911258-5	PAN HEAD SCREW M5X35	4				
021		458746-6	MOTOR HOUSING	1				
022		458750-5	FRONT GRIP	1				
023		266326-2	TAPPING SCREW 4X18	1				
024		620936-3	LED CIRCUIT	1				
025		458751-3	LIGHT COVER	1				
026		266326-2	TAPPING SCREW 4X18	1				
027		629479-2	STATOR	1				
028		266326-2	TAPPING SCREW 4X18	2				
029		458749-0	BAFFLE PLATE	1				
030		210022-4	BALL BEARING 626DDW	1				
031		519534-7	ROTOR ASSY	1				
	D10		INC. 30,32					
032		210059-1	BALL BEARING 6000DDW	1				
033		251529-1	+ PAN HEAD SCREW M4X14	1				
034		347676-5	SHAFT LOCK	1				
035		233084-5	COMPRESSION SPRING 6	1				
036		286039-9	CAP	1				
037		140S42-7	BLADE CASE COMPLETE	1				
	C10	213434-0	O RING 26	1				
	C20	263005-3	RUBBER PIN 6	1				
	C30	818C45-0	SCALE LABEL	1				
038		266396-1	FLATHEAD SQUARENECKBOLT M8X24	1				
039		262185-2	RUBBER SLEEVE8	1				
040		251572-0	+ COUNTERSUNK HEAD SCREW M6X3	1				
041		210029-0	BALL BEARING 608ZZ	1				
042		961057-5	RETAINING RING S-17	1				
043		226838-7	HELICAL GEAR 37	1				
044		257451-0	RING 17	1				
045		285809-3	BEARING RETAINER 23-36	1				
046		210301-0	BALL BEARING 6003DDW	1				
047		327192-3	SPINDLE	1				
048		213565-5	O RING 42	1				
049		136021-7	BEARING BOX ASSY	1				
	D10		INC. 48					
050		265034-2	+ COUNTERSUNK HEAD SCREW M5X1	2				
051		232467-6	TENSION SPRING 4	1				
052		319970-5	SAFETY COVER	1				
053		271450-8	LEVER 37	1				

B:HS004GZ01(N)
C:HS004GM202(H)

Interchange
O : Yes
X : No
< : the new part can be substituted for the current.
> : the current part can be substituted for the new.
S : Interchangeable as a set.

